

# GSH 40 - MTH 400 - MTH 402 (38.9 cm<sup>3</sup>)

**GB** OPERATOR'S INSTRUCTION BOOK

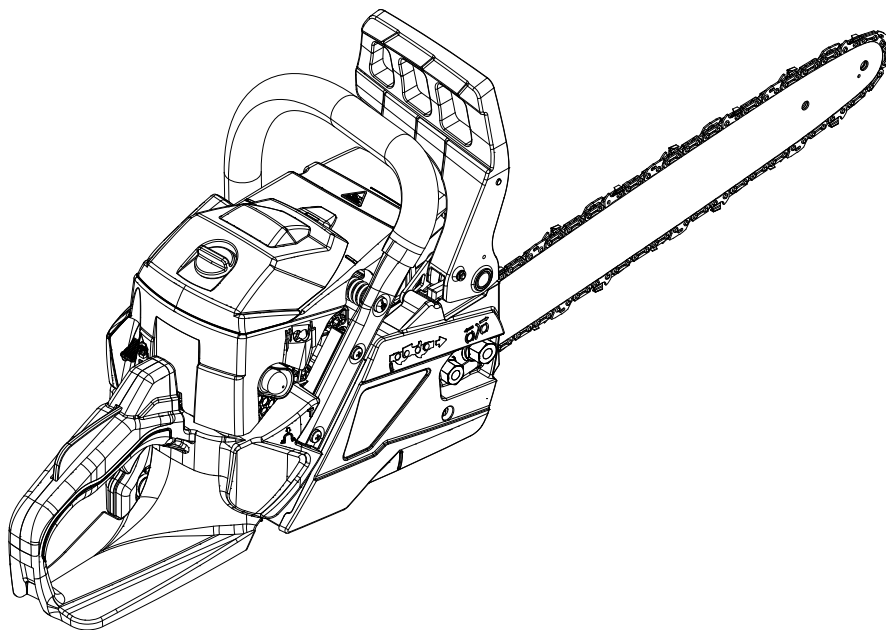
**F** MANUEL D'UTILISATION ET D'ENTRETIEN

**E** MANUAL DE INSTRUCCIONES

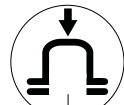
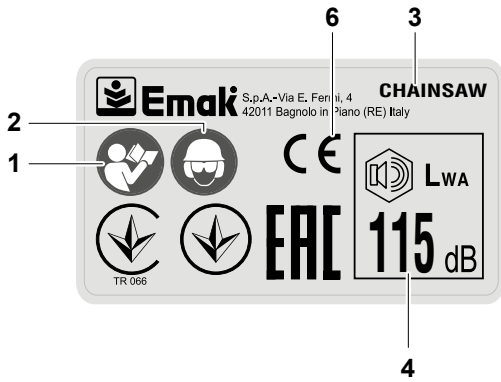
**RUS** РУКОВОДСТВО ПО ЭКСПЛУАТАЦИИ

**UA** ІНСТРУКЦІЇ З ЕКСПЛУАТАЦІЇ Й ТЕХНІЧНОГО ОБСЛУГОВУВАННЯ

**BIH** **SRB** **HR** **MNE** UPUTSTVA ZA KORIŠTENJE I ODRŽAVANJE



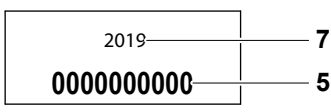
1



8

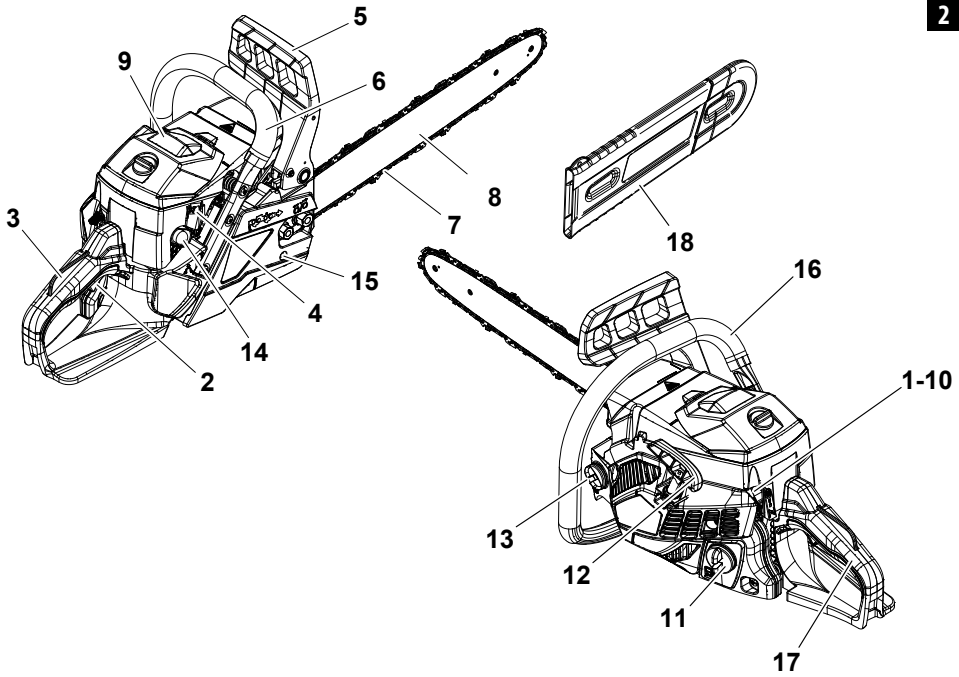


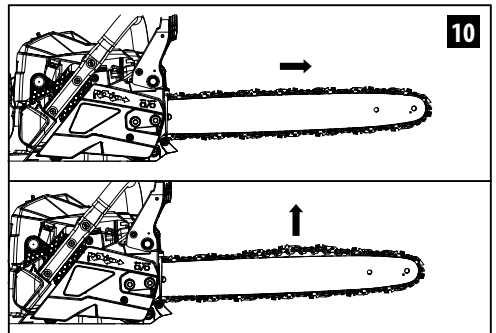
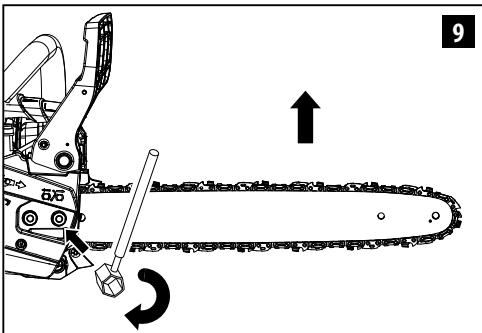
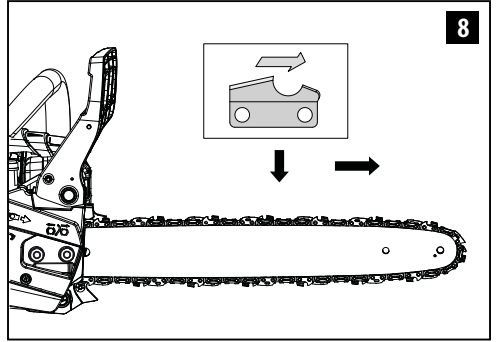
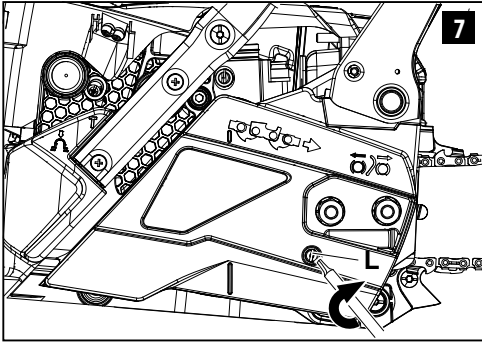
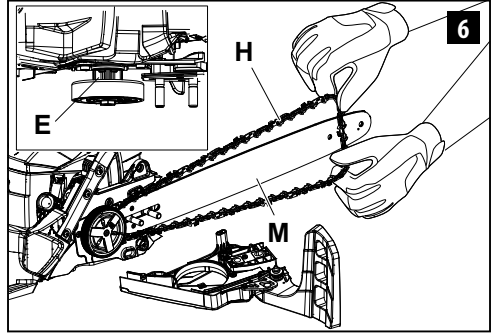
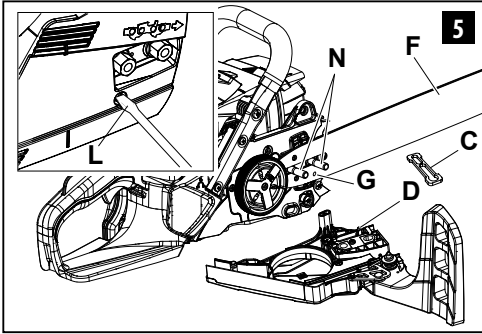
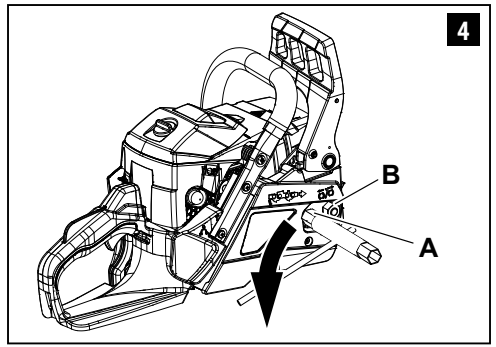
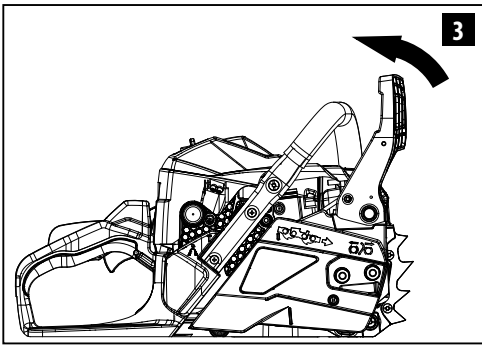
10

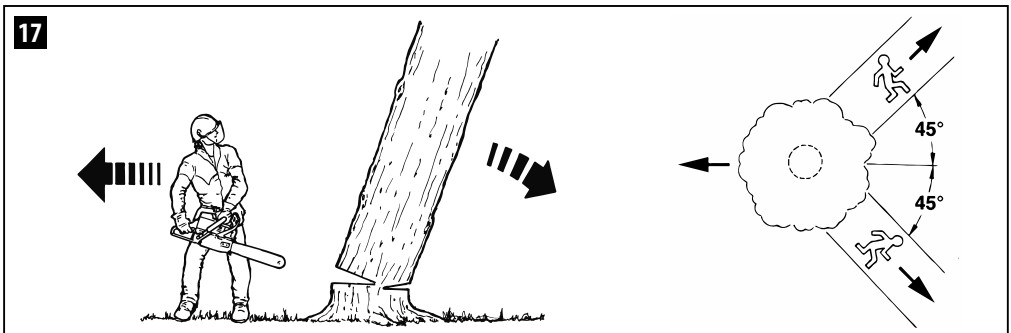
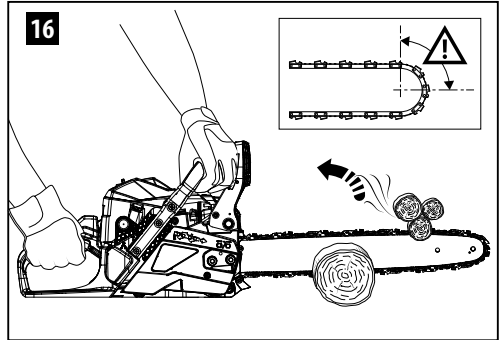
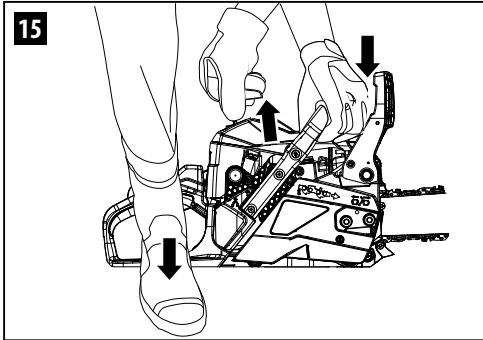
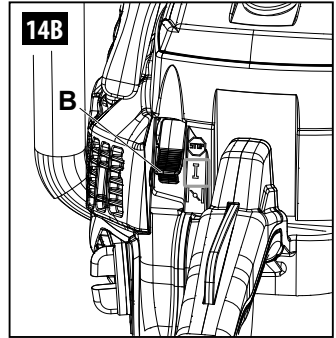
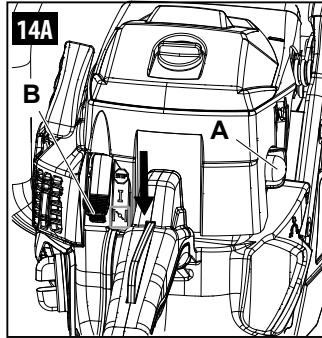
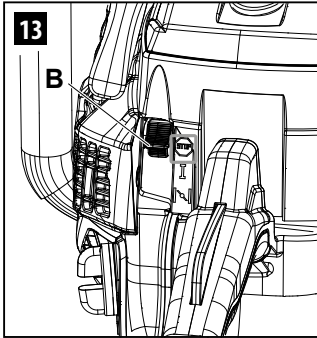
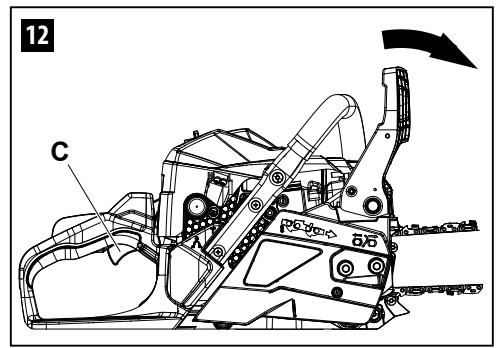
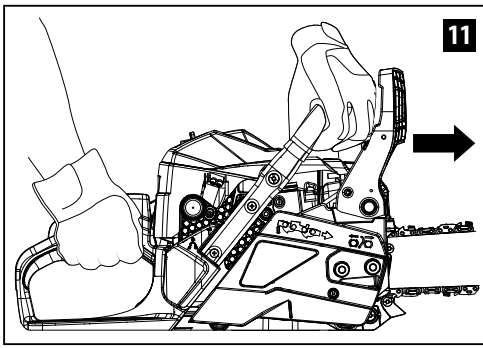


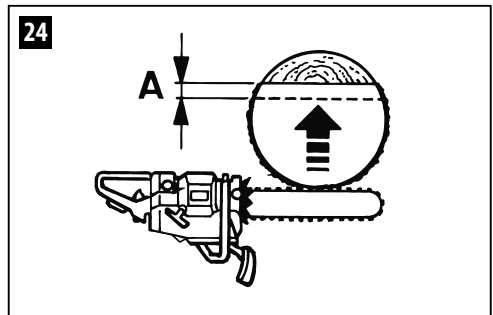
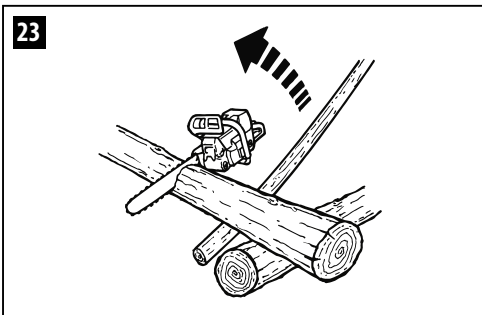
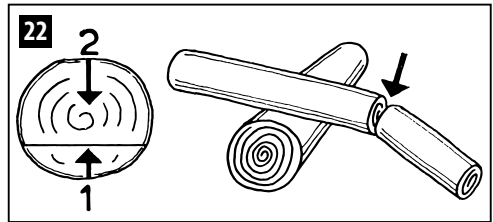
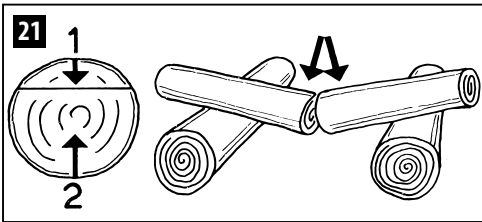
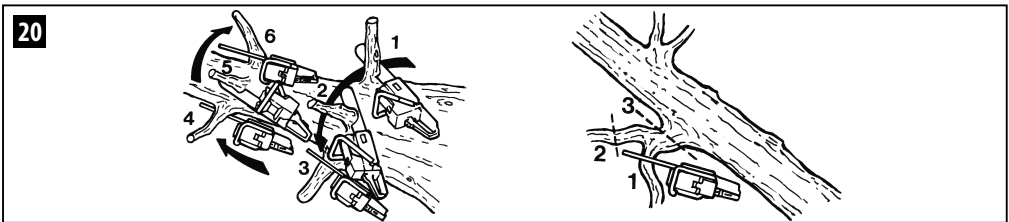
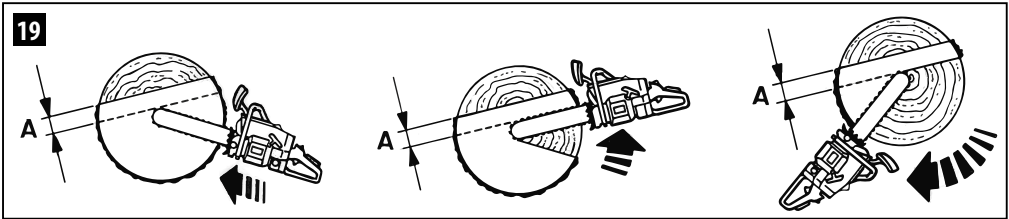
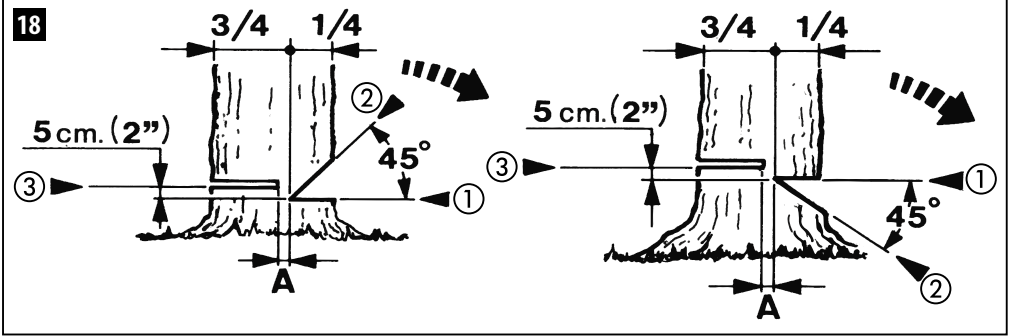
9

2

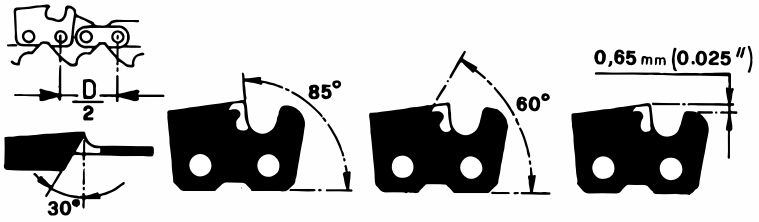




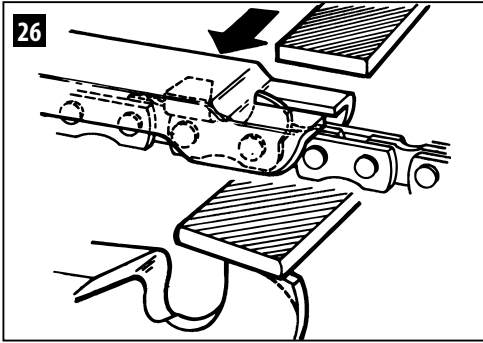




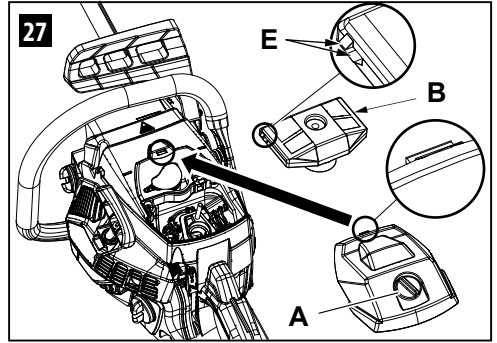
25



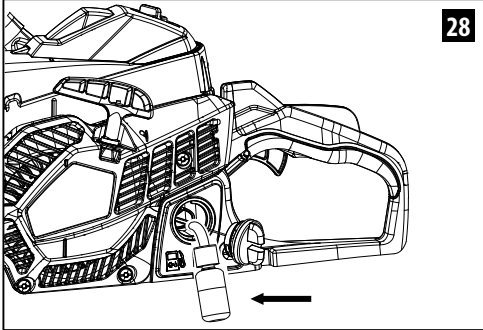
26



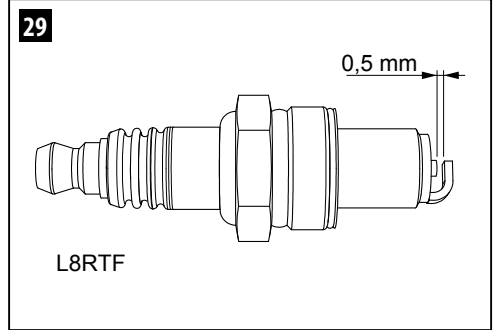
27



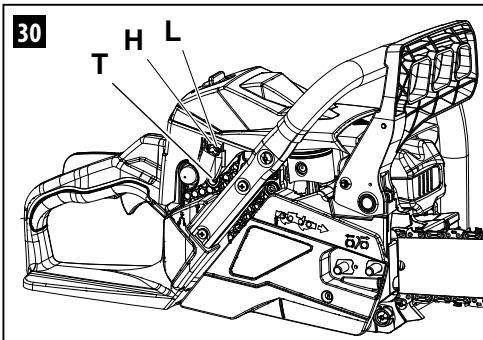
28



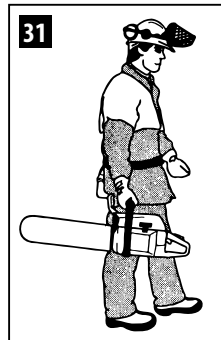
29



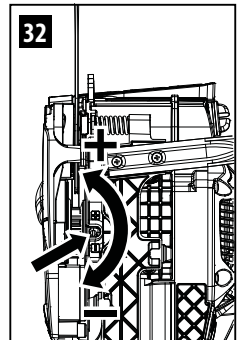
30

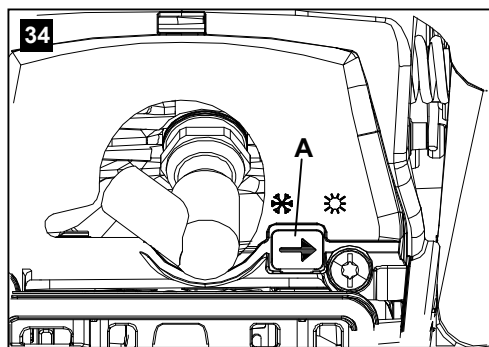
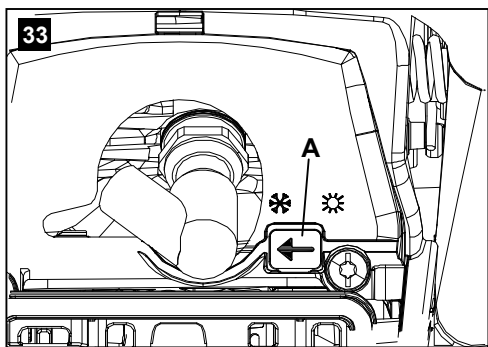


31



32





<b>English</b>	<b>8</b>
<b>Français</b>	<b>24</b>
<b>Español</b>	<b>41</b>
<b>Русский</b>	<b>58</b>
<b>Українська</b>	<b>75</b>
<b>Hrvatski</b>	<b>92</b>

## TRANSLATION OF ORIGINAL INSTRUCTIONS

### To our valued customers

Thank you for selecting an Emak product. Our network of dealers and authorized workshops will always be at your complete disposal for any need you may have.

## INTRODUCTION

For correct use of the machine and to avoid accidents, do not start working until you have read this manual carefully. You will find explanations concerning the operation of the various parts plus instructions for necessary checks and relative maintenance.

**NOTE: The descriptions and illustrations contained in this manual are not binding. The manufacturer reserves the right to undertake any modifications it deems necessary without revising this manual.**

In addition to the operating instructions, this manual contains paragraphs that require your special attention. Such paragraphs are marked with the symbols described below:

**WARNING:** where there is a risk of an accident or personal, even fatal, injury or serious damage to property.

**CAUTION:** where there is a risk of damaging the machine or its individual components.

### WARNING

#### RISK OF HEARING DAMAGE

IN NORMAL CONDITIONS OF USE, THIS MACHINE MAY EXPOSE THE OPERATOR TO A PERSONAL DAILY NOISE LEVEL EQUAL TO OR HIGHER THAN  
**85 dB (A)**

## CONTENTS

1. EXPLANATION OF SYMBOLS AND SAFETY WARNINGS _____	8
2. CHAIN SAW COMPONENTS _____	8
3. SAFETY PRECAUTION _____	9
4. FITTING THE BAR AND CHAIN _____	10
5. STARTING _____	10
6. STOPPING THE ENGINE _____	13
7. USE _____	13
8. MAINTENANCE _____	15
9. STORAGE _____	18

10. TECHNICAL DATA _____	19
11. DECLARATION OF CONFORMITY _____	21
12. WARRANTY CERTIFICATE _____	22
13. TROUBLE SHOOTING CHART _____	23

## 1. EXPLANATION OF SYMBOLS AND SAFETY WARNINGS (Fig.1)

1. Read operator's instruction book before operating this machine.
2. Wear head, eye and ear protection.
3. Type of machine: **CHAIN SAW.**
4. Guaranteed sound power level
5. Serial number
6. CE conformity marking
7. Year of manufacture
8. Primer bulb
9. Chain brake, activated (right). Chain brake, not activated (left).
10. **WARNING!** The surface can be hot.

## 2. CHAIN SAW COMPONENTS (Fig. 2)

1. Choke lever
2. Throttle trigger
3. Throttle trigger lockout
4. Carburetor adjustment screws
5. Inertial brake lever
6. Exhaust muffler
7. Chain
8. Guide bar
9. Air filter cover
10. On/off switch
11. Fuel tank cap
12. Starter handle
13. Oil tank cap
14. Primer bulb
15. Lateral chain tensioner screw
16. Front handle
17. Rear handle
18. Bar cover



### 3. SAFETY PRECAUTIONS

**⚠ WARNING - If correctly used, the chainsaw is a quick, easy to handle and efficient tool; if used improperly or without the due precautions it could become a dangerous tool. For pleasant and safe work, always strictly comply with the safety rules that follow and throughout this manual.**

**⚠ WARNING: The ignition system of your machine produces an electromagnetic field of very low intensity. This field could interfere with certain pacemakers. To reduce the risk of serious or fatal injury, persons with pacemakers should consult their doctor or the manufacturer of the pacemaker before using this machine.**

**⚠ WARNING: – National regulations could limit use of the machine.**

1. Do not use the chainsaw until you have completely understood the specific operating methods. First time users must familiarize themselves thoroughly with the operation of the machine before working in the field.
2. The chainsaw must only be used by adults in good physical condition with knowledge of the operating instructions.
3. Do not use the chainsaw when you are physically tired or if you have taken alcohol, drugs, or medication.
4. Never wear scarves, bracelets or anything else which could be taken up by the machine or chain. Wear close-fitting safety clothing.
5. Wear protective non-slip safety shoes, gloves, glasses, ear protection and safety helmet.
6. Never allow bystanders to remain within your working area when starting or cutting with the saw.
7. Do not start cutting until you have a clear work area. Do not cut near electric cables.
8. Always cut from a firm-footed and safe position.
9. Only use the chainsaw in well-ventilated places, do not operate the chainsaw in explosive or flammable atmospheres or in

closed environments.

10. Never touch the chain or attempt to service the saw while the engine is running.
11. It is prohibited to fit any device other than that supplied by the manufacturer.
12. All labels with health hazards must be kept in good conditions. In case of damage or deterioration, immediately substitute them (Fig. 1).
13. Do not utilize the machine for uses different from the ones specified in the manual (see pag. 14).
14. Never leave the machine unattended with the engine running.
15. Check the chainsaw each day to ensure that each device, whether for safety or otherwise, is functional.
16. Always follow the manufacturer's instructions for the maintenance operations.
17. Never use a damaged, modified, or improperly repaired or assembled chainsaw. Do not remove, damage or deactivate any of the safety devices. Only use bars of the length indicated in the table.
18. Never carry out operations or repairs on your own that are other than routine maintenance. Call specialized and authorized workshops only.
19. Never start up the chainsaw without the chain cover fitted.
20. If your chainsaw is no longer usable, dispose of it properly without damaging the environment by handing it in to your local Dealer who will arrange for its correct disposal.
21. Only loan your saw to expert users who are completely familiar with saw operation and correct use. Give other users the manual with operating instructions, which they should read before using the saw.
22. All saw service, other than the operations shown in the present manual, should be performed by competent personnel.
23. Keep this manual on hand and consult it before each use of the tool.
24. Please note that the owner or the user is responsible for any accidents or damage to third parties or their property.

## SAFETY PROTECTIVE CLOTHING

**⚠** Major cases of chainsaw accidents happen when the chain hits the operator. **While working with the chainsaw, always use safety protective approved clothing.** The use of protective clothing does not eliminate injury risks, but it reduces the injury effects in case of accident. Consult your trusted supplier to choose an adequate equipment.

The clothing must be proper and not an obstacle. Wear adherent anti-cut clothing. **Anti-cut jackets, dungarees and leggings are the ideal.** Do not wear clothes, scarves, ties or bracelets that can stuck into woods or twigs. Tie up and protect long hair (example with foulards, cap, helmets, etc.)

**Safety shoes or boots having skid-proof sole and anti-piercing insert.**

**Wear protective helmet** in places where there can be falling objects.

**Wear protective goggles or face screens!**

**Use protections against noises; for example noise reduction ear guards or earplugs.**

The use of protections for the ear requests much more attention and caution, because the perception of danger audio signals (screamings, alarms, etc.) is limited.

**Wear anti-cut gloves.**

## 4. FITTING THE BAR AND CHAIN

**⚠ WARNING - Always wear work gloves during assembly procedures. Use only bars and chains recommended by the manufacturer (page 19).**

- Pull the guard (Fig. 3) towards the front handle to check that the chain brake is not on.
- Remove the bar nuts (A) and the chain cover (B, Fig. 4).
- Remove and dispose of the cardboard spacer placed on the chain bar stud screws (C, Fig.5).
- Take the chain tightener pawl (D, Fig. 5) to the limit stop, by unscrewing all the chain tightener screw (L).
- Place the bar (F, Fig. 5) onto the studs (N).
- Fit the chain (H, Fig. 6) inside the sprocket (E) and the bar groove (M). Pay attention to the

direction of rotation of the chain (Fig. 8).

- Put down the chain cover, inserting it into its housing and, keeping it pressed against the bar, screw on the chain tightener screw (L, Fig. 7) so that the pawl (D, Fig. 5) goes into the hole (G) of the bar.
- Fit the chain cover and the relative nuts without tightening them.
- Tension the chain by means of the tensioning screw (L, Fig. 7).
- Hold the tip of the guide bar up and tighten the chain cover nut securely (Fig. 9). The tightening torque is 1,5 kgm (15 Nm). The chain should be taut but turn freely by hand (Fig. 10).
- The chain is tensioned correctly when it can be pulled upwards a few millimetres (Fig. 10).

**⚠ WARNING - Always maintain the correct chain tension.** An excessively slack chain increases the risk of kickback and the chain may ride out of the bar channel; these events can cause injury the operator and damage to the chain. An excessively slack chain will result in rapid wear of chain, bar and sprocket. On the contrary, an over tensioned chain will tend to overload the motor with resulting damage. **A correctly tensioned chain provides the best cutting characteristics, optimal safety, and long working life of the chain.** The working life of the chain depends on correct tensioning and correct lubrication.

## 5. STARTING

### FUELING

**⚠ WARNING: Gasoline is an extremely flammable fuel. Use extreme caution when handling gasoline or fuel mix. Do not smoke or bring any fire or flame near the fuel or the chainsaw.**

- To reduce the risk of fire and burn injury, handle fuel with care. It is highly flammable.
- Mix and store fuel in a container approved for gasoline.
- Mix fuel outdoors where there are no sparks or flames.
- Select bare ground, stop engine, and allow to cool before refueling.
- Loosen fuel cap slowly to release pressure and

to keep fuel from escaping around the cap.

- Tighten fuel cap securely after refueling. Unit vibration can cause an improperly tightened fuel cap to loosen or come off and spill quantities of fuel.
- Wipe spilled fuel from the unit. Move 3 meter away from refueling site before starting engine.
- Never attempt to burn off spilled fuel under any circumstances.
- Do not smoke while handling fuel or while operating the chainsaw.
- Store fuel in a cool, dry, well ventilated place.
- Never place the machine in a combustible area such as dry leaves, straw, paper, etc.
- Store the unit and fuel in an area where fuel vapors cannot reach sparks or open flames from water heaters, electric motors or switches, furnaces, etc.
- Never take the cap off the tank when the engine is running.
- Never use fuel for cleaning operations.
- Take care not to get fuel on your clothing.



This product is powered by a 2-cycle engine and requires pre-mixing gasoline and 2-cycle oil. Pre-mix unleaded gasoline and 2-cycle engine oil in a clean container approved for gasoline.

**RECOMMENDED FUEL:** THIS ENGINE IS CERTIFIED TO OPERATE ON UNLEADED GASOLINE INTENDED FOR AUTOMOTIVE USE WITH AN OCTANE RATING OF 89  $([R + M] / 2)$  OR HIGHER.

Mix 2-cycle engine oil with gasoline according to the instructions on the package.

We strongly recommend the use of **2% (1:50)** Oleo-Mac/Efco two cycle engine oil, which is specifically formulated for all air-cooled two-stroke engines.

The correct oil / fuel proportions shown in the table are suitable when using the Oleo-Mac/Efco **PROSINT 2** and **EUROSINT 2** or an equivalent high-quality engine oil (**JASO specification FD** or **ISO specification L-EGD**).

GASOLINE		OIL	
			
ℓ	ℓ	(cm <sup>3</sup> )	
1	0,02	(20)	
5	0,10	(100)	
10	0,20	(200)	
15	0,30	(300)	
20	0,40	(400)	
25	0,50	(500)	

**⚠ CAUTION: DO NOT USE AUTOMOTIVE OIL OR 2-CYCLE OUTBOARD OIL.**

**⚠ CAUTION:**

- Match your fuel purchases to your consumption; don't buy more than you will use in one or two months;
- Store gasoline in a tightly-closed container in a cool, dry place.

**⚠ CAUTION - For the mixture, never use a fuel with an ethanol percentage higher than 10%; gasohol (mixture of gasoline and ethanol) up to 10% ethanol or E10 fuel are acceptable.**

**NOTE** - Prepare only the quantity of mixture required for immediate use; do not leave fuel in the tank or a container for a long time. We recommend the use of the additive **Emak ADDITIX 2000** code 001000972 if the mixture is to be stored for 12 months.

#### Alkylate gasoline

**⚠ CAUTIONS – Alkylate fuels have different density than normal fuel. Therefore engines, set with normal fuel, need different H jet regulation to avoid critical issues. For this operation it's necessary turned at a Licensed Service Dealer.**

#### FILLING THE TANK

Stir the mixture well before refuelling.

**⚠ WARNING: Follow safety instruction for fuel handling. Always shut off engine before fuelling. Never add fuel to a machine with a running or hot engine. Move at least 3 m from refuelling site before starting engine. DO NOT SMOKE!**

1. Clean surface around fuel cap to prevent contamination.
2. Loosen fuel cap slowly.
3. Carefully pour fuel mixture into the tank. Avoid spillage.
4. Prior to replacing the fuel cap, clean and inspect the gasket.
5. Immediately replace fuel cap and hand tighten. Wipe up any fuel spillage.

**⚠ WARNING: Check for fuel leaks, if any are found, correct before use. Contact a Servicing Dealer if necessary.**

### OIL FILLING AND CHAIN LUBRICATION

The saw chain is automatically lubricated during use by a pump which normally requires no maintenance. The oil flow is pre-regulated by the manufacturer to ensure a sufficient oil delivery even under heavy working conditions. During cutting of thin timber a possible oil dripping is normal.

- Always wipe off around the filler hole before unscrewing the cap (13, Fig. 2) so that no dirt enters the oil reservoir.
- During work watch the oil level.
- After the filling, operate the motor 2 or 3 times to restore correct oil delivery.
- In case of faults do not try to repair the machine yourself, but apply to your authorized dealer.

Correct chain lubrication during the cutting phase reduces wear to a minimum between the chain and bar thus prolonging life. Always use a good quality oil.

**⚠ WARNING - Never use waste oil. Always use biodegradable lubricant (ecolube Oleo-Mac/Efco) which is specific for bar and chain and also respectful towards nature, operator health and chain saw's parts.**

**⚠ Before starting make sure the chain is not obstructed.**

**⚠ When the chainsaw is running, grip the front handle firmly with your left hand and the back handle with your right hand (Fig. 11).**

- Do not lean forward and do not cut above shoulder height; gripping the chain saw at the

top of the handle makes it difficult to control and counteract kickback.

- **Check that all parts of the body are kept away from the chain and muffler.**
- **Left-handers should follow these instructions too. Keep a proper cutting stance.**

**⚠ Over exposure to vibrations can result in blood-vessel or nerve injury to persons suffering with blood circulation problems. Seek medical attention if you experience physical symptoms such numbness, lack of feeling, reduction in normal strength, changes in the color of the skin. These symptoms normally appear in the fingers, hands or wrists.**

### Engine is Flooded

- Set the on/off switch to **STOP** (B, Fig. 13).
- Unscrew the screw on the cover (A, Fig. 27).
- Remove the cover.
- Pry off the spark plug boot.
- Unscrew and dry off the spark plug.
- Open the throttle wide.
- Pull the starter rope several times to clear the combustion chamber.
- Refit the spark plug and connect the spark plug boot, press it down **firmly**.
- Set the choke lever to OPEN position – even if engine is cold.
- Now start the engine.

**⚠ WARNING** – Never start the saw engine without the bar, chain and clutch cover (chain brake) assembled - or else the clutch can come **loose** and cause personal **injuries**.

### STARTING THE ENGINE

**The chain brake must be engaged when starting the saw. Set the chain brake by pushing the chain brake lever / hand guard forward (towards the bar), to the brake position (Fig. 12).** Fill the carburetor by pushing primer bulb (A, Fig. 14). Push the choke lever, (B, Fig.14A) fully down (1).

Place the chainsaw on the ground in a stable position. Check that the chain is free to turn and will not come into contact with any foreign objects. Before you start the engine, make sure

the saw chain is not contacting any object. Never try to start the saw when the guide bar is in a cut. Hold the front handle firmly with the left hand and put your right foot onto the base of the rear handle (Fig. 15). Pull the starter cord a few times until the first **kick over** of the engine is heard. Move the choke lever, (B, Fig.14B) to the intermediate position (2). Pull the starter cord to start the engine. Once the engine is going release the chain brake and **wait for a few seconds**. Then accelerate with the throttle (C, Fig. 13) to fire the half throttle-blocking device.

**⚠ WARNING - Once the engine is warmed up do not use the choke to start up again.**

**⚠ WARNING - Use the semi-acceleration device only in the phase of starting the engine.**

#### **BREAKING-IN THE ENGINE**

The engine reaches the maximum power after 5÷8 hours of activity.

During this period of breaking-in do not use the engine at wide open throttle without load, to avoid excessive functioning stress.

**⚠ WARNING! - During the breaking-in period do not vary the carburetion to obtain a presumed power increment; the engine can be damaged.**

**NOTE: It is normal for smoke to be emitted from a new engine during and after first use.**

#### **BREAKING-IN THE CHAIN**

New chains will stretch and must be tightened frequently. Tension adjustment should only be made when the chain is cool. First, turn the chain and lubricate it with additional oil. Then start the saw and allow it to run at moderate speed, checking that the oil pump is working properly. Stop the engine and adjust the chain tension. Start the saw again and make a few cuts in a trunk to heat up the chain. Stop the engine, allow the chain to cool and adjust again. Repeat this process until the chain retains proper tension. Do not touch the ground with the chain.

**⚠ WARNING - Never touch the chain while the motor is running. Do not touch the ground with the chain.**

## **6. STOPPING THE ENGINE**

Release the throttle lever (C, Fig. 12) and let the engine return to idle. Switch off the engine, returning the choke lever (B, Fig.13) to the fully up position (3).

**⚠ Do not put the chain saw on the ground when the chain is still moving.**

## **7. USE**

Long term inhalation of the engine's exhaust fumes, chain oil mist and dust from sawdust can represent a health risk.

### **ICE DEVICE SYSTEM**

**In the event of temperatures below 0°C**, move the cursor (A, Fig.33) to the winter position. In this way heated air from the cylinder is also taken in, preventing thus the formation of ice inside the carburetor.

**When the temperature rises above +10°C, move the cursor (A, Fig.34) to the summer position. Failure to reset this parameter could impair motor performance due to overheating.**

### **CHAIN BRAKE**

The inertial chain brake ensures maximum safety in using the chainsaw. It protects the operator from dangerous kickback which can occur during working phases. It is actuated, with consequent instant locking of the chain, when the operator presses the lever (manual operation) or automatically by inertia when the protection is pushed forward (Fig. 16) in the event of sudden kickback (inertial operation).

The chain brake is released by pulling the lever towards the operator (Fig. 3).

### **CHECKING BRAKE OPERATION**

At machine inspection prior to each job, check the operating condition of the brake following the steps below:

1. Start the engine and grasp the handle securely with both hands.
2. Pulling the throttle lever to maintain the chain operation, push the brake lever down toward the front using the back of your left hand (Fig. 11).
3. When the brake operates and the chain is

- stopped, release the throttle lever.
4. Release the brake (Fig. 3).

**BRAKE MAINTENANCE:** always keep the chain brake mechanism clean and lubricate the leverage. Check wear on the brake belt. Its minimum thickness must be **0.30 mm**.

#### PROHIBITED USE

**⚠ WARNING - Always follow the safety regulations. This chain saw is designed and built for pruning and tending standing trees or shrubs. It is forbidden to cut other types of material. Vibrations and kickback vary with different materials and the requirements of the safety regulations would not be respected. Do not use the chainsaw as a lever for lifting, moving or splitting objects. Do not lock it over fixed stands. It is forbidden to hitch tools or applications to the P.t.o. that are not specified by the manufacturer.**

#### PRECAUTIONS FOR THE WORK AREA

- Do not work near electrical cables.
- Work only in conditions offering sufficient visibility and light to see clearly.
- Stop the engine before setting the chainsaw down.
- Be particularly cautious and alert when wearing ear protectors, as these can restrict your ability to hear sounds indicating danger (shouts, signals, warnings, etc.)
- Be extremely careful when working on slopes or uneven surfaces.
- Do not cut above chest height, as a saw held higher is difficult to control against kickback forces.
- **Do not cut from a ladder, this is extremely dangerous.**
- Stop the saw if the chain strikes a foreign object. Inspect the saw and repair parts as necessary. Inspect the machine even in case of accidental fall of the machine.
- Keep the chain out of dirt and sand. Even a small amount of dirt will quickly dull a chain and increase the possibility of kickback.
- Always keep the handles dry and clean.
- When cutting a limb that is under tension, be alert for springback so you will not be struck when the tension in the wood fibre is released.

- Take great care when cutting small branches or shrubs which can block the chain, be thrown back towards you or cause you to lose your balance.

#### OPERATING INSTRUCTIONS

**⚠ WARNING - Tree filling is a task that requires experience. Not groped tree filling if you are inexperienced. AVOID ALL TRANSACTIONS FOR WHICH YOU ARE NOT QUALIFIED! It is recommended that inexperienced operators to refrain tree filling if the trunk has a diameter greater than the length of the bar. When using the chainsaw for the first time, make several cuts in a small trunk in order to become familiar with the saw in action. Always use full throttle when cutting with the saw, regardless of the size of the timber. Never push down on the saw when cutting. The weight of the saw alone enables it to cut properly with minimum effort.**

**⚠ WARNING - Never cut in high wind, bad weather, when visibility is poor or in very high or low temperatures. Always check the tree for dead branches which could fall during the felling operation.**

#### TREE FELLING

In tree filling and bucking operations exploit the presence of spike bumpers, pivoting on it. Study the tree and surrounding area before starting to cut. Clear the work area before beginning to cut. Prepare the widest possible path of retreat for when the tree falls (Fig. 17). Cut off any branches at the bottom of the trunk up to a height of about 2 metres. Make a 90 degree notch on the face of the tree, in the direction it will fall. The depth of the notch should never exceed 1/4 of the diameter of the trunk (1 - Fig. 18). About 10 cm (4") higher up the trunk make a cut down towards the first cut, in order to extract a wedge. This is the mouth of the hinge, and is the direction in which the tree falls (2 - Fig. 18). Now, make your felling cut on the opposite side of the trunk. Start the cut about 4-5 cm (2") higher than the center of the notch (3 - Fig. 18). Always leave a hinge (A, Fig. 19-24) which allows you to control the direction the tree falls in. Put a wedge into the felling cut, before the tree starts to move, to prevent the chainsaw guide bar from

getting stuck.

If the diameter of the trunk is greater than the length of the guide bar, make the felling cut as shown in the sequence of Fig. 19.

### LIMBING

- a) Always start from the larger diameter and move towards the tip to cut off limbs and any secondary branches.
- b) Always find the safest and most stable position before accelerating the chainsaw. If necessary, keep your balance by resting your knee on the trunk itself.
- c) Keep the chainsaw on the trunk so as not to get too tired, turning it onto the left- or right-hand side depending on the position of the branch to cut (Fig. 20).
- d) In the case of branches under tension, find a safe position to protect yourself if they whip back. Always start the cut from the opposite side to the bend.
- e) When lopping large diameter branches make use of the bumper spike.

**⚠ WARNING - Do not use the upper edge of the tip of the guide bar to cross-cut; otherwise you might risk a kickback.**

### BUCKING

When bucking up the trunk to desired lengths, there is one basic rule to follow. Look to see where the trunk is supported, and determine which way the two halves will fall when cut.

- a) If the trunk is supported at both ends, first make a small cut at the top (1 - Fig. 21), then complete the cut from the bottom (2 - Fig. 21). This will avoid pinching the saw.
- b) If the trunk is supported at one end or near the center, first make a small cut from underneath (1 - Fig. 22), then complete the cut from the top (2 - Fig. 22).

**⚠ WARNING - If the saw becomes pinched in the trunk, stop the engine, lift the log and change its position (Fig. 23). Never attempt to free the saw by pulling on it.**

## 8. MAINTENANCE

**⚠ WARNING - Always wear protective gloves during maintenance operations. Do not carry out maintenance when the engine is hot.**

**⚠ WARNING - Departure from the sharpening instructions considerably increases the risk of kickback.**

### CHAIN SHARPENING

The pitch of the chain (Fig. 25) is 3/8". Sharpen the chain using protective gloves and a round file of  $\varnothing 4.0$  mm (5/32").

Always sharpen the cutters only with outward strokes observing the values given in Fig. 25. After sharpening, the cutting links must all have the same width and length.

**⚠ WARNING - A sharp chain produces well-defined chips. When your chain starts to produce sawdust, it is time to sharpen.**

After every 3-4 times the cutters have been sharpened you need to check the height of the depth gauges and, if necessary, lower them using the flat file and template supplied optional, then round off the front corner (Fig. 26).

**⚠ WARNING - Proper adjustment of the depth gauge is as important as proper sharpening of the chain.**

### GUIDE BAR

The guide bars provided with a sprocket at their tip must be lubricated with grease using a lubrication syringe.

The bar should be reversed every 8 working hours to ensure uniform wear.

Keep the bar groove and lubrication hole clean using the bar groove cleaner supplied optional. Check the bar rails frequently for wear and, if necessary, remove the burs and square-up the rails using the flat file.

Turn the guide bar and check that the lubrication holes are free from impurities.

**⚠ WARNING - Never mount a new chainsaw on a worn sprocket.**

**AIR FILTER** - Rotate the knob (A, Fig. 27) and check the air filter (B) each day. Open air cleaner

(B) by means of the two tabs (E, Fig.27). Clean with Emak degreaser p/n 001101009A, rinse with water and blast dry with compressed air, not too close, blowing from the inside outwards. Renew the filter if heavily clogged or damaged.

**⚠ WARNING!** – When refitting the air filter (B), fit it into well, before reassembly.

**FUEL FILTER** - Check the fuel filter periodically. Replace it if too dirty (Fig. 28).

**OIL PUMP (automatic/adjustable)** - Flow adjustment is pre-set by the manufacturer. Oil flow can be adjusted by the operator according to specific requirements by means of the special adjusting screw (Fig. 32). Oil flow occurs only when the chain is moving.

**⚠ WARNING** - Never use scavenge oil.

**STARTING UNIT** - Use a brush or compressed air to keep the cooling louvers of the starter assembly free and clean.

**ENGINE** - Clean the cylinder fins with compressed air or a brush periodically. Dangerous overheating of engine may occur due to impurities on the cylinder.

**SPARK PLUG** - Clean the spark plug and check the electrode gap periodically (Fig. 29). Use TORCH L8RTF or of other brand with the same thermal grade.

**CHAIN BRAKE** - If the chain brake does not work properly, remove the chain cover and the clean brake components. Replace the chain brake band if worn or deformed.

Never use fuel for cleaning operations.

### **CARBURETOR**

Before adjusting the carburetor, clean the starter cover, the air filter (Fig. 27) and warm up the engine.

Idle screw T is adjusted in order to ensure a good safety margin between idle running and clutch engagement.

**⚠ WARNING** - With the engine idling, the

**chain must never turn. If the chain moves to the minimum, intervene on the T screw and reduce the speed of the motor. If the problem persists, immediately stop the work and contact an Authorized Service Center to solve the problem.**

**⚠ WARNING** - Weather conditions and altitude may affect carburation. Do not allow anyone to stay close to the chainsaw while working or while adjusting the carburetor.

### **EXTRA MAINTANANCE ADVISABLE**

It is advisable to inspect the machine by a specialized technician at an authorized service network at the end of season, if used intensively, and every two years if with normal use.

**⚠ WARNING!** – Any maintenance operations not specifically dealt with in this manual must be carried out by an authorized service center. To ensure that your chainsaw continues to function correctly, use only **ORIGINAL REPLACEMENT PARTS**.

**⚠ Any unauthorized changes and/or use of non-original replacement parts may result in serious injury or death to the operator or third parties.**

### **TRANSPORTION**

Carry the chainsaw with the engine stopped, guide bar to the rear and chain cover on (Fig. 31).

**⚠ WARNING** - When transporting the machine on a vehicle, ensure that it is firmly and securely fastened using straps or belts. The machine must be transported in the horizontal position, also ensuring compliance with applicable transport regulations for such machines.



## MAINTENANCE CHART

Please note that the following maintenance intervals apply for normal operating conditions only. If your daily work requires longer than normal or harsh cutting conditions are present the suggested intervals should be shortened accordingly.

		Before Each Use	After Each Refueling Stop	Weekly	If Damaged or Faulty
Complete Machine	Inspect (Leaks, Cracks, and Wear)	X	X		
Controls (Ignition Switch, Choke Lever, Throttle Trigger, Trigger Interlock)	Check Operation	X	X		
Chain Brake	Check Operation	X	X		
	Check by Dealer				X
Fuel Tank and Oil Tank	Inspect (Leaks, Cracks, and Wear)	X	X		
Fuel Filter	Inspect and Clean			X	
	Replace Filter Element				X
Chain Lubrication	Check Output	X	X		
Saw Chain	Inspect (Damage, Sharpness, and Wear)	X	X		
	Check Tension	X	X		
	Sharpen (Check Gauge Depth)				X
Guide Bar	Inspect (Damage, and Wear)	X	X		
	Clean Bar groove and Oil Passages	X			
	Rotate, Lubricate Sprocket Nose and Deburr			X	
	Replace				X
Rim Sprocket	Inspect (Damage, and Wear)			X	
	Replace				X
Clutch Drum	Inspect (Damage, and Wear)			X	
	Replace				X
Chain Catcher	Inspect (Damage, and Wear)	X	X		
	Replace				X
All Accessible Screws and Nuts (not Adjusting Screws)	Inspect - Retighten			X	
Air Filter	Clean	X			
	Replace				X
Cylinder Fins and Starter System Vents	Clean			X	
Starter Rope	Inspect (Damage, and Wear)			X	
	Replace				X
Carburetor	Check Idle (Chain must not rotate at Idle)	X	X		
Spark Plug	Check Electrode Gap			X	
	Replace				X
Vibration Mounts	Inspect (Damage and Wear)			X	

## 9. STORAGE

If the machine is to be stored for long periods:

- Drain and clean the fuel and oil tank in a well-ventilated area.
- Dispose of fuel and oil according to the rules and respecting the environment.
- To drain the tank, start the engine and wait until the fuel is exhausted and the engine stops (leaving fuel mixture in the carburetor could damage the membranes).
- Remove, clean and spray it with protective oil the chain and the bar.
- Thoroughly clean the air intake slots on the starter housing, the air filter (Fig. 27) and the cylinder fins.
- Store the blower in a dry place, preferably not in direct contact with the ground, away from heat sources and the tanks empty.
- The procedures for returning the machine to service following winter storage are the same as for starting up during everyday use (page 10).

### ENVIRONMENTAL PROTECTION

Environmental protection should be a priority of considerable importance when using the machine, for the benefit of both social cohesion and the environment in which we live.

- Try not to cause any disturbance to the surrounding area.
- Scrupulously comply with local regulations and provisions for the disposal of oils, petrol, batteries, filters, deteriorated parts or any elements which have a strong impact on the environment. This waste must not be disposed of as normal waste, it must be separated and taken to specified waste disposal centers where the material will be recycled.

### Demolition and disposal


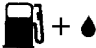


When the machine reaches the end of its service life, do not dispose of it into the environment; instead take it to a waste disposal center.

Most materials used in the manufacture of the machine are recyclable; all metals (steel, aluminium, brass) can be delivered to a normal recycling station. For information contact your

local waste recycling service. Waste disposal must be carried out with respect for the environment, avoiding soil, air and water pollution.

**In all cases, applicable local legislation must be complied with.**

## 10. TECHNICAL DATA

	GSH 40 - MTH 400 - MTH 402	
Displacement	38.9 cm <sup>3</sup>	
Engine	2 stroke EMAK	
Power	1.7 kW	
Min. rpm	3.000 min <sup>-1</sup> *	
Max. rpm	12.800 min <sup>-1</sup> *	
Primer bulb	Yes	
Lateral chain tensioner screw	Yes	
Starting system	 Yes	
No. of pinion teeth	6	
Weight without bar and chain	4.5 kg	
Fuel tank capacity	 +  320 (0.32) cm <sup>3</sup> (ℓ)	
Chain oil reservoir capacity	 220 (0.22) cm <sup>3</sup> (ℓ)	
Chain speed at 133% of maximum engine power speed	21,5 m/s	
<b>* No load RPM with bar and chain</b>		

Recommended guide bar and chain combinations	GSH 40 - MTH 400 - MTH 402	
Chain pitch and gauge	3/8" x .050"	
Guide bar length	14" (35 cm)	16" (41 cm)
Type of guide bar	140SDEA041	160SDEA041
Type of chain	91 P	
Cutting length	310 mm	370 mm



### WARNING!!!

The risk of kickback is greater when using a combination bar/chain wrong! Use only the combination bar/chain recommended and follow the instructions for sharpening.

			<b>GSH 40 - MTH 400 - MTH 402</b>	
Pressure level	<b>dB (A)</b>	<b>L<sub>pA</sub></b> EN 11681-1 EN 22868	<b>103,2</b>	*
Uncertainty	<b>dB (A)</b>		<b>3,2</b>	
Measured sound power level	<b>dB (A)</b>	2000/14/EC EN 22868 EN ISO 3744	<b>111,5</b>	
Uncertainty	<b>dB (A)</b>		<b>3,1</b>	
Guaranteed sound power level	<b>dB (A)</b>	<b>L<sub>WA</sub></b> 2000/14/EC EN 22868 EN ISO 3744	<b>115</b>	
Vibration level	<b>m/s<sup>2</sup></b>	EN 11681-1 EN 22867 EN 12096	<b>6,9 (Sx) 7,1 (Dx)</b>	*
Uncertainty	<b>m/s<sup>2</sup></b>	EN 12096	<b>1,9 (Sx) 1,9 (Dx)</b>	
<b>* Weighted average values (1/3 minimum rpm, 1/3 at full load, 1/3 racing).</b>				

## 11. DECLARATION OF CONFORMITY

The undersigned, **EMAK spa via Fermi, 4 - 42011 Bagnolo in Piano (RE) ITALY**

declares under its own responsibility that the machine:

1. Type: **Chainsaw**

2. Trademark: / Type: **OLEO-MAC GSH 40 / EFCO MTH 400 - MTH 402**

3. serial identification **825 XXX 0001 - 825 XXX 9999**

complies with the provisions of the Directive / Regulation and subsequent amendments or additions **2006/42/EC - 2014/30/EU - 2000/14/EC - 2011/65/EU**

conforms with the provisions of the following harmonized standards: **EN ISO 11681-1:2011 - EN 55012:2007 - EN 55012:2007/A1:2009 - EN ISO 14982:2009**

conforms with the model that was awarded EC certification No. **EPT 0477.MAC.19/3235 (GSH 40)  
EPT 0477.MAC.19/3236 (MTH 400)**

Notify body for Directive 2000/14/EC **Eurofins Product Testing Italy S.r.l. - v. Courgnè, 21 - 10156 Torino (TO) - Italy n° 0477**

Conformity assessment procedure followed **Annex V - 2000/14/EC**

Measured sound power level **111,5 dB(A)**

Guaranteed sound power level: **115 dB(A)**

Made at: **Bagnolo in piano (RE) Italy - via Fermi, 4**

Date: **20/07/2019**

Technical documentation available by: **the administrative headquarter. - Technical Department**

  **Emak**<sup>®</sup> s.p.a.  
Fausto Bellamico - President

GB

## 12. WARRANTY CERTIFICATE

This machine has been designed and manufactured using the most modern techniques. The manufacturer guarantees its products for 24 months from the date of purchase, for private and hobby use. The warranty is limited to 12 months in case of professional use.

### Limited warranty

- 1) The warranty period starts on the date of purchase. The manufacturer, acting through the sales and technical assistance network, shall replace free of charge any parts proven defective in material, machining or manufacturing. The warranty does not affect the purchaser's rights as established under legislation governing the consequences of defects in the machine.
- 2) Technical personnel will undertake the necessary repairs in the minimum time possible, compatible with organizational needs.
- 3) **To make any claim under the warranty, this certificate of warranty, fully completed, bearing the dealer's stamp and accompanied by the invoice or receipt showing the date of purchase, must be displayed to the personnel authorized to approve work.**
- 4) The warranty shall be null and void if:
  - the machine has evidently not been serviced correctly
  - the machine has been used for improper purposes or has been modified in any way,
  - unsuitable lubricants and fuels have been used
  - non-original spare parts and accessories have been fitted
  - work has been done on the machine by unauthorized personnel
- 5) The warranty does not cover consumables or parts subject to normal wear.
- 6) The warranty does not cover work to update or improve the machine.
- 7) The warranty does not cover any preparation or servicing work required during the warranty period.
- 8) Damage incurred during transport must be immediately brought to the attention of the carrier: failure to do so shall render the warranty null and void.
- 9) Engines of other manufacturers (Briggs & Stratton, Subaru, Honda, Kipor, Lombardini, Kohler, etc.) fitted to our machines are covered by the warranties of the engine manufacturer.
- 10) The warranty does not cover injury or damage caused directly or indirectly to persons or things by defects in the machine or by periods of extended disuse of the machine resulting from the said defects.

MODEL

\_\_\_\_\_

SERIAL No \_\_\_\_\_

BOUGHT BY Mr.

\_\_\_\_\_

\_\_\_\_\_

\_\_\_\_\_

DATE

\_\_\_\_\_

DEALER

Do not send! Only attach to requests for technical warranties.

### 13. TROUBLESHOOTING



**WARNING: Always stop unit and disconnect spark plug before performing all of the recommended remedies below except remedies that require operation of the unit.**

When you have checked all the possible causes listed and you are still experiencing the problem, see your Servicing Dealer. If you are experiencing a problem that is not listed in this chart, see your Servicing Dealer for service.

PROBLEM	POSSIBLE CAUSE	SOLUTION
Engine will not start or will run only a few seconds after starting.	<ol style="list-style-type: none"> <li>1. No spark</li> <li>2. Flooded engine.</li> </ol>	<ol style="list-style-type: none"> <li>1. Watch for spark at spark plug tip. If there is no spark, repeat test with a new spark plug (<b>L8RTF</b>).</li> <li>2. Follow procedure page 12 If engine still fails to start, repeat procedure with a new spark plug.</li> </ol>
Engine starts but will not accelerate properly or will not run properly at high speed.	Carburetor requires adjustment.	Contact a Servicing Dealer for carburetor adjustment.
Engine does not reach full speed and / or emits excessive smoke	<ol style="list-style-type: none"> <li>1. Check oil fuel mixture.</li> <li>2. Air filter dirty.</li> <li>3. Carburetor requires adjustment.</li> </ol>	<ol style="list-style-type: none"> <li>1. Use fresh fuel and the correct 2-cycle oil mix.</li> <li>2. Clean per instruction in Maintenance-Air Filter Section.</li> <li>3. Contact a Servicing Dealer for carburetor adjustment.</li> </ol>
Engine starts, runs and accelerates but will not idle.	Carburetor requires adjustment.	Turn idle speed screw " <b>T</b> " (Fig. 30) clockwise to increase idle speed. See Operation-Carburetor Adjustment.
Bar and Chain Running Hot and Smoking	<ol style="list-style-type: none"> <li>1. Chain oil tank empty.</li> <li>2. Chain tension too tight.</li> <li>3. Oiler function.</li> </ol>	<ol style="list-style-type: none"> <li>1. Oil tank should be filled every time that fuel tank is filled.</li> <li>2. Tension chain per instructions in Operation-Chain Tension section (Pag. 10).</li> <li>3. Run at full throttle 15 to 30 seconds. Stop saw and check for oil dripping from bar tip guard and guide bar. If oil is present the chain may be dull or bar may be damaged. If no oil contact a Servicing Dealer.</li> </ol>
Engine starts and runs, but chain is not rotating	<ol style="list-style-type: none"> <li>1. Chain brake engaged.</li> <li>2. Chain tension too tight.</li> <li>3. Guide bar and chain assembly.</li> <li>4. Chain and/or guide bar damaged.</li> <li>5. Clutch drum and/or rim sprocket damaged.</li> </ol>	<ol style="list-style-type: none"> <li>1. Release chain brake, see Operation-Chain Brake Section (Pag. 13).</li> <li>2. Tension chain per instructions in Operation-Chain Tension section (Pag. 10).</li> <li>3. Refer to Assembly-Assembling the Bar and Chain Section (Pag. 10).</li> <li>4. Refer to Maintenance-Chain and/or Maintenance-Guide Bar Section (Pag. 15).</li> <li>5. Replace if necessary - contact a Servicing Dealer.</li> </ol>



**WARNING: Never touch the chain while the engine is running.**

## TRADUCTION DES INSTRUCTIONS ORIGINALES

### À notre aimable clientèle

Merci d'avoir choisi un produit Emak.  
Notre réseau de distributeurs et d'assistance est à votre disposition pour toute nécessité.

### INTRODUCTION

Pour un emploi correct de la machine et pour éviter tout accident, ne commencez pas le travail sans avoir préalablement lu ce manuel avec attention. Vous y trouverez les descriptions du fonctionnement des différents composants, ainsi que les instructions relatives aux contrôles et aux procédures d'entretien requis.

**N.B. Les descriptions et les illustrations figurant dans le présent manuel ne sont pas rigoureusement contractuelles. Le fabricant se réserve le droit d'apporter d'éventuelles modifications sans être tenu de mettre à jour à chaque fois ce manuel.**

Outre les instructions relatives au fonctionnement, le présent manuel contient des paragraphes requérant une attention particulière de votre part. Ces paragraphes sont signalés par les symboles décrits ci-dessous :

**ATTENTION** : lorsqu'il existe des risques d'accidents, de blessures corporelles voire mortelles, ou de graves dommages au matériel.

**AVERTISSEMENT** : lorsqu'il existe un risque de dommages sur l'unité ou ses composants.

#### ATTENTION

#### RISQUE DE DOMMAGES AUDITIFS

EN CONDITIONS NORMALES D'UTILISATION, CET  
ENGIN PEUT REPRÉSENTER POUR L'OPÉRATEUR  
PRÉPOSÉ UN NIVEAU D'EXPOSITION PERSONNELLE  
ET QUOTIDIENNE AU BRUIT ÉGALE OU SUPÉRIEURE À  
**85 dB (A)**

### SOMMAIRE

1. EXPLICATION DES SYMBOLES ET RÈGLES DE SECURITE _____	24
2. COMPOSANTS DE LA TRONCONNEUSE _____	24
3. NORMES DE SECURITE _____	25
4. MONTAGE GUIDE ET CHAÎNE _____	26
5. MISE IN ROUTE _____	26
6. ARRÊT DU MOTEUR _____	29
7. UTILISATION _____	30
8. ENTRETIEN _____	32
9. REMISSAGE _____	35
10. DONNÉES TECHNIQUES _____	36

11. DECLARATION DE CONFORMITÉ _____	38
12. CERTIFICAT DE GARANTIE _____	39
13. RÉOLUTION DES PROBLÈMES _____	40

## 1. EXPLICATION DES SYMBOLES ET RÈGLES DE SECURITE (Fig.1)

1. Lire le manuel avant d'utiliser cette machine.
2. Porter casque, visière et protège-oreilles.
3. Type de machine : **TRONÇONNEUSE.**
4. Niveau de puissance acoustique garanti
5. Numéro de série
6. Label CE de conformité
7. Année de construction
8. Pompe primer
9. Frein de chaîne, activé (droit). Frein de chaîne, non activé (gauche).
10. **ATTENTION!** Les surfaces risquent d'être très chaudes.

## 2. COMPOSANTS DE LA TRONÇONNEUSE (Fig. 2)

1. Levier starter
2. Levier accélérateur
3. Levier accélérateur bloqué
4. Vis réglage carburateur
5. Levier frein inertiel
6. Pot d'échappement
7. Chaîne
8. Guide
9. Couvercle filtre air
10. Interrupteur de masse
11. Bouchon réservoir carburant
12. Poignée démarrage
13. Bouchon réservoir huile.
14. Pompe primer
15. Vis tendeuse de chaîne latérale
16. Poignée avant
17. Poignée arrière
18. Couvre-guide



### 3. NORMES DE SECURITE

**⚠ ATTENTION - Si vous utilisez correctement la tronçonneuse, vous aurez un instrument de travail rapide, pratique et efficace; utilisé de façon non correcte ou sans adopter les précautions nécessaires, cet instrument pourrait s'avérer dangereux. Pour que votre travail soit toujours agréable et sûr, respectez scrupuleusement les mesures de sécurité reportées ici et au cours du manuel.**

**⚠ ATTENTION : Le système de mise en marche de l'unité produit un champ électromagnétique de très basse intensité. Ce champ peut créer des interférences avec certains pacemakers. Pour réduire le risque de lésions graves ou mortelles, les porteurs de pacemaker devraient consulter leur médecin et le fabricant du pacemaker avant d'utiliser cette machine.**

**⚠ ATTENTION ! - Certains règlements nationaux pourraient limiter l'utilisation de la tronçonneuse.**

1. N'utilisez la tronçonneuse que lorsque vous aurez appris à le faire. L'opérateur inexpert devrait s'exercer avant d'utiliser la machine sur le terrain.
2. La tronçonneuse ne doit être utilisée que par des adultes en bonnes conditions physiques et ayant pris connaissance.
3. N'utilisez pas la tronçonneuse si vous êtes physiquement fatigué ou sous l'influence de l'alcool, de drogues ou de médicaments.
4. Ne portez pas d'écharpe, de bracelets ou d'autres objets qui pourraient se prendre dans la machine ou dans la chaîne. Utilisez des vêtements adhérents pourvus de protection anti-coupure.
5. Portez des chaussures de protection antidérapantes, des gants, des lunettes, des protège-oreilles et un casque antichoc.
6. Veillez à ce que personne ne se trouve dans le rayon d'action de la tronçonneuse, pendant la mise en route et la coupe.
7. Ne commencez pas la coupe tant que l'espace dans lequel vous devez travailler n'est pas totalement propre et libre. Ne coupez pas à proximité de fils électriques.
8. Coupez toujours en position stable et sûre.
9. N'utilisez la tronçonneuse que dans des endroits bien aérés, ne l'utilisez pas dans des atmosphères explosives ou inflammables ou dans des endroits clos.

10. Ne touchez pas à la chaîne et n'effectuez aucun entretien lorsque le moteur tourne.
11. Il est interdit d'appliquer sur la prise de force de la tronçonneuse des dispositifs non fournis par le constructeur.
12. Veillez à ce que les étiquettes portant les signaux de danger et de sécurité soient toujours en parfait état. Si elles sont détériorées, remplacez-les sans délai (Fig. 1).
13. N'utilisez pas la tronçonneuse dans un but autre que ceux indiqués dans le manuel (voir pag. 30).
14. N'abandonnez pas la machine moteur en marche.
15. Contrôlez la tronçonneuse tous les jours pour vous assurer que tous les dispositifs, de sécurité et autres, fonctionnent bien.
16. Suivez toujours nos instructions pour les opérations d'entretien.
17. Ne travaillez pas avec une tronçonneuse endommagée, mal réparée, mal montée ou modifiée arbitrairement. Évitez d'enlever, de détériorer ou de neutraliser les dispositifs de sécurité. Utilisez uniquement des guides de la longueur indiquée dans le tableau.
18. N'effectuez jamais par vous-mêmes des opérations ou des réparations qui ne sont pas d'entretien normal. Adressez-vous seulement à des ateliers spécialisés et autorisés.
19. Ne mettez pas la tronçonneuse en marche sans le carter de la chaîne.
20. Si votre tronçonneuse ne marche plus, ne l'abandonnez pas dans la nature ! Appelez votre revendeur habituel, qui saura résoudre la situation.
21. Ne prêtez votre tronçonneuse qu'à des personnes expertes qui sachent la faire fonctionner correctement. Donnez-leur aussi le manuel avec le mode d'emploi à lire avant de commencer à travailler.
22. S'adresser à un revendeur pour toutes autres demandes ou pour une intervention prioritaire.
23. Conservez ce manuel soigneusement et consultez-le à chaque fois que vous devrez utiliser la machine.
24. Se rappeler que le propriétaire ou l'opérateur sont responsables des accidents ou des dommages à tiers, aux biens de leur propriété.

#### VÊTEMENTS DE PROTECTION

**⚠ La plupart des accidents avec la tronçonneuse sont dus à la chaîne qui percute l'opérateur. **Toujours porter des vêtements de protection homologués pour utiliser une tronçonneuse.** Le port de**

vêtements de protection n'élimine pas les risques de blessure mais il peut en réduire les effets en cas d'accident. Demandez conseil à votre revendeur habituel pour choisir le vêtement qui répond le mieux à vos exigences.

Assurez-vous que le vêtement choisi ne gêne pas les mouvements. Portez un vêtement anti-coupe près du corps. **La veste, la salopette et les jambières de protection anti-coupe sont l'idéal.** Ne portez pas de vêtements, écharpes, cravates ou bijoux qui risqueraient de s'accrocher dans le bois ou les buissons. Nouez les cheveux longs et protégez-les (par exemple avec un foulard, un béret, un casque, etc...).

**Portez des chaussures ou des bottes de protection avec semelles antiglisse et pointes en acier.**

**Portez un casque de protection** dans les endroits où des objets risquent de tomber.

**Portez des lunettes ou une visière de protection!**

**Utilisez des dispositifs protégeant contre les émissions sonores; casque ou boules dans les oreilles.** Rappelez-vous d'être extrêmement prudents lorsque vous utilisez ce genre de protection car la perception des signaux acoustiques de danger (cris, alarmes, etc...) est réduite.

**Portez des gants anti-coupe.**

## 4. MONTAGE GUIDE ET CHAÎNE

**⚠ ATTENTION - Toujours porter des gants durant les opérations d'assemblage. Utiliser exclusivement la barre et la chaîne préconisées par le fabricant (page 36).**

- Tirez la protection (Fig. 3) en direction de la poignée antérieure pour vérifier que le frein de chaîne n'est pas enclenché.
- Otez les écrous (A) et démontez le carter de chaîne (B, Fig. 4).
- Éliminer la cale en carton insérée sur les goujons (C, Fig.5).
- Placez l'encliquetage tendeur de chaîne (D, Fig. 5) en fin de course, en dévissant toute la vis du tendeur de chaîne (L).
- Placez le guide (F, Fig. 5) sur les prisonniers (N).

- Montez la chaîne (H, Fig. 6) dans le pignon (E) et à la rainure du guide (M). Faites attention au sens de rotation de la chaîne (Fig. 8).
- Posez le carter de la chaîne en l'encastrant à sa place et, en le tenant bien appuyé contre la barre, vissez la vis du tendeur de chaîne (L, Fig. 7) afin que l'encliquetage (D, Fig. 5) entre dans le trou (G) de la barre.
- Montez le carter protège-chaîne et les écrous correspondants sans les serrer.
- Tendez la chaîne à l'aide de la vis de tension de la chaîne (L, Fig. 7).
- Serrez définitivement le écrou de fixation du carter protège-chaîne en soulevant la pointe de guide (Fig. 9). Le couple de serrage de 1,5 kgm (15 Nm). La chaîne doit être réglée, c'est à dire bien tendue et à même de glisser facilement sous la pression de la main (Fig. 10).
- La chaîne est correctement tendue lorsque vous pouvez la soulever de quelques millimètres (Fig. 10).

**⚠ ATTENTION - Toujours s'assurer que la chaîne est tendue correctement.** Si la chaîne est détendue, le risque de contre-coup augmente et la chaîne peut sortir de la rainure de la barre; ce genre de situation peut blesser l'opérateur et endommager la chaîne. Si la chaîne est détendue, elle risque de s'user plus rapidement et entraîne également l'usure de la barre et du pignon. Au contraire, une chaîne trop tendue entraîne la surcharge du moteur qui risque d'être endommagé. **La chaîne doit être tendue correctement pour assurer une coupe parfaite, la sécurité durant l'emploi et sa longévité.** La durée de la chaîne dépend de sa tension et de sa lubrification.

## 5. MISE EN ROUTE

### CARBURANT

**⚠ ATTENTION : l'essence est un carburant extrêmement inflammable. Manipulez l'essence ou le mélange de carburant avec une extrême précaution. Ne fumez pas ou ne produisez pas de flammes à proximité du carburant ou de la tronçonneuse.**

- Pour réduire le risque d'incendie et de brûlures, manipulez le carburant avec précaution. Il est

extrêmement inflammable.

- Secouez et mettez le carburant dans un récipient homologué.
- Mélangez le carburant en plein air dans un endroit sans risque d'étincelles ou de flammes.
- Placez au sol, coupez le moteur et laissez-le refroidir avant de procéder au ravitaillement.
- Desserrez lentement le bouchon du carburant pour évacuer la pression et pour éviter que le carburant ne se déverse.
- Serrez fermement le bouchon après le ravitaillement. Sous l'effet des vibrations, le bouchon risque de se desserrer et le carburant de s'échapper.
- Essuyez le carburant qui aurait pu s'échapper. Écartez l'outil à 3 m du lieu de ravitaillement avant de démarrer le moteur.
- Ne tentez en aucun cas de brûler le carburant déversé.
- Ne fumez pas durant le ravitaillement ou lorsque la tronçonneuse est en marche.
- Stockez le carburant dans un endroit frais, sec et bien aéré.
- Ne stockez pas le carburant dans un endroit présentant des feuilles sèches, de la paille, du papier, etc.
- Conservez l'outil et le carburant dans un endroit où les vapeurs de carburant n'entreront pas en contact avec des étincelles ou des flammes libres, des ballons d'eau pour le chauffage, des moteurs électriques ou des interrupteurs, des fours, etc.
- N'ôtez pas le bouchon du réservoir lorsque le moteur tourne.
- N'utilisez pas de carburant pour les opérations de nettoyage.
- Assurez-vous de ne pas déverser de carburant sur vos vêtements.



Cet appareil est actionné par un moteur 2 temps et nécessite le prémélange d'essence et d'huile pour moteurs 2 temps. Prémélangez l'essence sans plomb et l'huile pour moteurs 2 temps dans un récipient propre homologué pour contenir de l'essence.

**CARBURANT CONSEILLÉ : CE MOTEUR EST CERTIFIÉ POUR ÊTRE ALIMENTÉ EN ESSENCE SANS PLOMB POUR USAGE AUTOMOBILIE AVEC NIVEAU D'OCTANES 89 ([R + M] / 2) OU SUPÉRIEUR.**

Mélangez l'huile pour moteurs 2 temps avec l'essence en suivant les instructions sur l'emballage.

Il est conseillé d'utiliser de l'huile pour moteurs 2 temps Oleo-Mac/Efco à **2% (1:50)** spécialement formulée pour tous les moteurs 2 temps refroidis par air.

Les proportions correctes huile/essence illustrées dans la notice sont adaptées à l'utilisation d'huile pour moteurs Oleo-Mac/Efco **PROSINT 2** et **EUROSINT 2** ou d'huile moteur de haute qualité équivalente (**spécifications JASO FD ou ISO L-EGD**).

ESSENCE	HUILE	
		
	<b>2% - 50:1</b>	
ℓ	ℓ	(cm <sup>3</sup> )
1	0,02	(20)
5	0,10	(100)
10	0,20	(200)
15	0,30	(300)
20	0,40	(400)
25	0,50	(500)

**⚠ ATTENTION : NE PAS UTILISER D'HUILE POUR AUTOMOBILES OU POUR MOTEURS HORS-BORD 2 TEMPS.**

**⚠ ATTENTION :**

- **N'achetez que la quantité de carburant nécessaire en fonction des consommations personnelles ; n'en achetez pas plus qu'il n'en sera utilisé en un ou deux mois ;**
- **Conservez l'essence dans un récipient hermétique, dans un endroit frais et sec.**

**⚠ ATTENTION - Pour le mélange, ne jamais utiliser un carburant dont le pourcentage d'éthanol dépasse 10% ; sont admis le gazole (mélange essence/éthanol) avec un pourcentage d'éthanol jusqu'à 10% ou le carburant E10.**

**NOTA** - Ne préparer que la quantité requise de mélange ; ne pas laisser le mélange dans le réservoir ou dans le bidon trop longtemps. Il est conseillé d'utiliser le stabilisateur pour carburant **Emak ADDITIX 2000** réf. 001000972 pour conserver le mélange pendant 12 mois.

**Essence alkylée**

**⚠ ATTENTION - L'essence alkylée ne présente pas la même densité que l'essence**

normale. Par conséquent, régler différemment la vis H des moteurs mis au point avec l'essence normale. Pour cette opération, s'adresser à un centre après-vente agréé.

### RAVITAILLEMENT

Secouez le jerrycan du mélange avant de procéder au ravitaillement.

**⚠ ATTENTION : respectez les consignes de sécurité sur la manipulation du carburant.**

**Coupez toujours le moteur avant de procéder au ravitaillement. Ne faites jamais l'appoint de carburant lorsque le moteur tourne ou s'il est encore chaud. Restez à au moins 3 m de la zone de ravitaillement avant de démarrer le moteur. NE FUMEZ PAS !**

1. Nettoyez la surface autour du bouchon de carburant afin d'éviter toute contamination.
2. Dévissez lentement le bouchon de carburant.
3. Versez soigneusement le mélange de carburant dans le réservoir. Évitez de renverser du carburant.
4. Avant de remonter le bouchon de carburant, nettoyez et inspectez le joint d'étanchéité.
5. Remontez immédiatement le bouchon de carburant et serrez-le manuellement. Essayez tout déversement de carburant

**⚠ ATTENTION : vérifiez si le carburant fuit et, le cas échéant, éliminez les fuites avant d'utiliser la machine. Si nécessaire, faites appel au service d'assistance auprès de votre revendeur.**

### REPLISSAGE DU RESERVOIR D'HUILE ET LUBRIFICATION DE LA CHAÎNE

La lubrification de la chaîne se fait à travers une pompe automatique qui n'a besoin d'aucun entretien. La pompe à huile est tarée à l'origine pour fournir la quantité d'huile suffisante même dans de dures conditions de travail. D'éventuelles pertes d'huile sont normales pendant la coupe du bois mince.

- Avant de remplir le réservoir nettoyer autour du bouchon (13, Fig. 2) afin qu'aucune impureté ne pénètre dans le réservoir.
- Pendant l'utilisation, contrôler le niveau d'huile à disposition.
- Après le remplissage faire tourner le moteur à vide 2 ou 3 fois de façon à rétablir le bon

refoulement de l'huile.

- En cas de panne, ne pas intervenir mais s'adresser à un revendeur spécialisé.

Une bonne lubrification de la chaîne pendant les phases de coupe réduit au minimum l'usure entre la chaîne et le guide, ce qui en assure une plus longue durée. Utilisez toujours de l'huile de bonne qualité.

**⚠ ATTENTION - N'utilisez surtout pas d'huile récupérée!**

**Utiliser toujours lubrifiant biodégradable (eco-lube Oleo-Mac/Efco) spécifique pour barre et chaîne dans le plus grand respect de la nature, de la santé de l'opérateur et de la durée des composants de la tronçonneuse.**

**⚠ Avant de mettre le moteur en marche, veillez à ce que la chaîne ne soit pas en contact avec des corps étrangers.**

**⚠ Quand le moteur tourne, saisissez toujours fermement la poignée avant de la main gauche et la poignée arrière de la main droite (Fig. 11).**

- Ne pas se pencher et ne pas couper au-dessus de la hauteur des épaules ; il est difficile de contrôler et éviter les forces tangentielles (kickback) en tenant la tronçonneuse par le haut.
- **Ne vous approchez pas de la chaîne ni du pot d'échappement.**
- **Ces directives s'appliquent également aux gauchers. Conservez la position de coupe correcte.**

**⚠ L'exposition aux vibrations peut entraîner des problèmes aux personnes souffrant de troubles circulatoires ou de nature nerveuse. Demander l'avis d'un médecin en cas de symptômes physiques tels qu'engourdissements, absence de sensibilité, réduction de la force normale ou variations de la couleur de la peau. Ces symptômes se présentent normalement au niveau des doigts, mains ou poignets.**

### Moteur noyé

- Basculez l'interrupteur de marche/arrêt sur la position **STOP** (B, Fig. 13).

- Dévissez la vis sur le capot (A, Fig. 27).
- Retirez le capot.
- Faites levier sur la coiffe de bougie et retirez-la.
- Dévissez et séchez la bougie.
- Ouvrez l'accélérateur à fond.
- Actionnez le lanceur à plusieurs reprises de façon à vider la chambre de combustion.
- Remontez la bougie et connectez la coiffe en l'enfonçant **fermement**.
- Passez le levier d'étrangleur sur la position OUVRIR, même si le moteur est froid.
- Démarrez à présent le moteur.

**⚠ ATTENTION** – Ne jamais mettre la tronçonneuse en marche si la barre, la chaîne et le carter d'embrayage (frein chaîne) ne sont pas montés – l'embrayage pourrait se **détendre** ce qui pourrait mettre **l'opérateur en danger** (risque de blessures).

## DEMARRAGE DU MOTEUR

**Le frein de chaîne doit être appliqué au démarrage de la tronçonneuse. Enclenchez le frein de chaîne en poussant le levier de frein de chaîne / protecteur de main vers l'avant (en direction du guide-chaîne) en position de freinage (Fig. 12).** Remplir le carburateur en agissant sur la pompe (A, Fig. 14). Pousser le levier du starter (C, Fig.14A) à fond vers le bas (1). Posez la tronçonneuse sur le terrain en position stable. Faites attention à ce que la chaîne tourne librement et n'aille pas frapper des corps étrangers. Avant de démarrer le moteur, vérifiez que la chaîne n'est en contact avec aucun objet. Ne tentez jamais de démarrer la tronçonneuse avec le guide engagé dans un sillon de coupe. Serrez bien dans la main gauche l'avant de la poignée et enflez le pied droit sur la base de la poignée arrière (Fig. 15). Tirer plusieurs fois sur la corde de démarrage jusqu'à obtenir la **première explosion**. Amener le levier du starter (B, Fig.14B) sur la position intermédiaire (2). Procéder au démarrage en tirant sur la corde. Une fois le moteur démarré, désactiver le frein de la chaîne et **attendre quelques secondes**. Actionner le levier de l'accélérateur (C, Fig. 13) pour débloquer le dispositif de semi-accélération automatique.

**⚠ ATTENTION - Quand le moteur est chaud n'utilisez pas le starter pour le faire démarrer.**

**⚠ ATTENTION - N'utilisez le dispositif demi-accélération que dans la phase de démarrage du moteur.**

## RODAGE DU MOTEUR

Le moteur atteint sa puissance maximale au bout de 5 à 8 heures de travail.

Au cours de cette période de rodage, ne faites pas tourner le moteur à vide au régime maxi pour lui éviter excessif efforts de fonctionnement.

**⚠ ATTENTION! - Durant le rodage, ne modifiez pas la carburation en vue d'augmenter la puissance; vous risquez seulement d'endommager le moteur.**

**REMARQUE : il est normal qu'un moteur neuf dégage de la fumée durant et après la première utilisation.**

## RODAGE DE CHAÎNE

Effectuez toujours le réglage lorsque la chaîne est froide. Faites tourner la chaîne à la main en la lubrifiant avec de l'huile supplémentaire. Mettez le moteur en marche et faites tourner la chaîne à un régime moteur moyen en contrôlant le bon fonctionnement de la pompe de l'huile. Arrêtez le moteur, réglez la tension de la chaîne. Redémarrez le moteur, effectuez quelques coupes sur un tronç. Arrêtez de nouveau le moteur et recontrôlez la tension. Recommencez l'opération jusqu'à ce que la chaîne soit au maximum de son relâchement. Ne touchez pas le terrain directement avec la chaîne.

**⚠ ATTENTION - Ne touchez jamais à la chaîne si le moteur tourne. Ne touchez pas le terrain directement avec la chaîne.**

## 6. ARRÊT DU MOTEUR

Lâchez le levier de l'accélérateur (C, Fig. 12) et laissez le moteur tourner au ralenti. Éteindre le moteur en amenant le levier du starter (B, Fig.13) en fin de course vers le haut (3).

**⚠ Ne posez pas la tronçonneuse sur le terrain si la chaîne tourne encore.**

## 7. UTILISATION

L'inhalation prolongée des gaz d'échappement du moteur, de l'huile pulvérisée de la chaîne et de la poussière de bois peut représenter un risque pour la santé.

### SYSTEME ANTIGIVRE

**Avec une température inférieure à 0°C**, placer le curseur (A, Fig.33) sur la position hiver. De cette façon, l'air froid tout comme l'air chaud provenant du cylindre sont aspirés. Il n'y a donc pas de formation de glace à l'intérieur du carburateur.

**Avec une température supérieure à +10°C**, remettre le curseur (A, Fig.34) en position été. Dans le cas contraire, le moteur pourrait présenter des dysfonctionnements dus à une surchauffe.

### FREIN DE CHAÎNE

Le frein de chaîne inertiel est un dispositif qui donne une grande sécurité lors de l'utilisation de la tronçonneuse. Il protège l'utilisateur des dangereux contrecoups éventuels qui pourraient se produire durant les diverses phases de travail. Il se met en marche, provoquant le blocage instantané de la chaîne, lorsque la main de l'opérateur fait pression sur le levier (actionnement manuel), ou bien automatiquement par inertie lorsque l'on pousse la protection vers l'avant (Fig. 16) en cas de brusque contrecoup (actionnement inertiel). Le frein de chaîne se débloque en tirant le levier vers l'opérateur (Fig. 3).

### CONTROLE DU FONCTIONNEMENT DU FREIN

Lors du contrôle de la machine avant de l'utiliser, vérifiez l'état de fonctionnement du frein en effectuant les opérations ci dessous:

1. Lancez le moteur et saisissez fermement la poignée des deux mains.
2. Tout en tirant la manette de commande des gaz pour maintenir la chaîne en opération, poussez le levier de frein vers le bas et l'avant avec le dos de la main gauche (Fig. 11).
3. Lorsque le frein fonctionne et que la chaîne est arrêtée, retirez la main de la manette des gaz.
4. Débloque le frein (Fig. 3).

**ENTRETIEN DU FREIN:** Veillez à ce que le mécanisme du frein de chaîne soit toujours propre et lubrifiez l'ensemble des leviers. Vérifiez l'usure du ruban du frein. L'épaisseur minimum doit être de **0.30 mm**.

### USAGES INTERDITS

**⚠ ATTENTION - Suivre les règles de sécurité.**

**Cette tronçonneuse a été conçue et réalisée pour l'ébranchage et l'entretien d'arbres ou d'arbustes. Il est interdit de couper d'autres matériaux. Les vibrations et le rebond sont en effet différents et les mesures de sécurité ne seraient pas respectées. N'utilisez pas la tronçonneuse comme levier pour lever, déplacer ou casser quoi que ce soit. Il est interdit de brancher sur la prise de force de la tronçonneuse des outils ou des applications autres que ceux que le constructeur a indiqués.**

### PRÉCAUTIONS POUR LA ZONE DE TRAVAIL

- Ne vous approchez pas des fils électriques.
- Travaillez uniquement lorsque la visibilité et l'éclairage sont suffisants.
- Coupez le moteur avant de poser la tronçonneuse.
- Soyez particulièrement attentif et vigilant lorsque vous portez des casques de protection car de tels équipements peuvent limiter la capacité d'entendre les signaux sonores d'avertissement (alarmes, signaux d'avertissement, etc.)
- Soyez particulièrement prudents lorsque vous travaillez sur les terrains en pente ou accidentés.
- Ne coupez pas en dessus dans la hauteur de poitrine, car il est toujours plus difficile de contrôler une tronçonneuse placée en hauteur en cas de rebond.
- **N'utilisez pas la tronçonneuse sur une échelle.**
- Arrêtez la tronçonneuse si la chaîne heurte un corps étranger. Inspectez la tronçonneuse et effectuez les réparations si nécessaire. Inspecter la tronçonneuse même en cas de chute accidentelle de celle-ci.
- Éliminez la poussière et le sable déposés sur la tronçonneuse. Même une très faible quantité de crasse peut très rapidement émousser une chaîne et augmenter le risque de rebond.
- Veillez à ce que les poignées soient toujours propres et sèches.

- Pendant la coupe d'un tronc ou d'une branche en tension, faites attention à ne pas vous faire surprendre par le relâchement instantané de la tension du bois.
- Faites extrêmement attention en coupant les petites branches ou les arbustes qui peuvent bloquer la chaîne ou être projetés contre vous et vous faire perdre l'équilibre.

## UTILISATION

**⚠ ATTENTION – Abattre un arbre est une opération qui nécessite une certaine expérience. N'essayez pas d'abattre des arbres si vous n'en avez pas encore l'expérience. ÉVITEZ TOUTES LES OPÉRATIONS POUR LESQUELLES VOUS NE VOUS SENTEZ PAS QUALIFIÉS ! Il est recommandé aux opérateurs inexperts de ne pas abattre d'arbres dont le tronc présente un diamètre supérieur à la longueur de la barre. Si l'on utilise la tronçonneuse pour la première fois, il faut d'abord s'exercer sur des petites bûches pour se familiariser avec le fonctionnement. En coupe, utilisez la machine au maximum de sa puissance. Ne forcez pas sur les poignées ; la machine doit descendre en coupe de son propre poids et vous permettre de couper sans le moindre effort.**

**⚠ ATTENTION - Ne coupez jamais si le temps est mauvais, si la visibilité est insuffisante ou si la température est trop basse ou trop élevée. Assurez vous qu'il n'y a pas de branches sèches qui puissent tomber.**

## ABATTAGE

Lors des opérations d'abattage et de découpe, utilisez le harpon comme point d'appui. Avant de commencer à couper, étudiez bien l'arbre, le terrain et ses environs. Dégagez la zone de travail. Préparez un vaste espace pour pouvoir reculer lorsque l'arbre commencera à tomber (Fig. 17). Otez les branches qui seraient éventuellement sur environ deux mètres de la partie basse du tronc. Effectuez en sens perpendiculaire par rapport à la plante, une entaille correspondant à environ 1/4 du diamètre du tronc, en commençant du côté où vous prévoyez la chute de l'arbre (1 - Fig. 18). A environ 10 cm un peu plus haut, commencez une seconde entaille qui rejoigne la première. Otez ainsi un coin qui donnera la direction vers laquelle l'arbre tombera (2 - Fig. 18).

Pratiquez maintenant, du côté opposé à la première coupe, la véritable entaille d'abattage qui devra être positionnée 4-5 cm plus haut par rapport à la première entaille (3 - Fig. 18).

Laissez toujours une charnière (A - Fig. 19-24) qui permette le contrôle de la direction de chute. Mettez un coin dans l'entaille d'abattage, avant que l'arbre ne commence à bouger, de façon à éviter que le guide de la tronçonneuse ne reste bloqué.

Si le diamètre du tronc est supérieur à la longueur du guide, effectuez l'entaille d'abattage suivant la séquence indiquée sur la Fig. 19.

## EBRANCHAGE

- Commencez toujours par le diamètre le plus grand en allant vers la pointe pour ébrancher la plante ou d'éventuelles branches secondaires.
- Cherchez toujours la position la plus stable et la plus sûre avant d'accélérer la tronçonneuse. Maintenez l'équilibre, s'il le faut, en appuyant le genou plus proche du tronc.
- Tenez la tronçonneuse appuyée au tronc pour ne pas trop vous fatiguer, en tournant sur le côté gauche ou sur le côté droit suivant la position de la branche à couper (Fig. 20).
- Lorsque vous avez affaire à des branches sous tension, cherchez une position sûre pour vous protéger d'éventuels coups de fouet. Commencez toujours la coupe du côté opposé au pli.
- Pour la coupe de branches de gros diamètre, utiliser le harpon.

**⚠ ATTENTION - N'utilisez pas le bord supérieur de la pointe du guide, surtout pour ébrancher, parce que vous courez le risque de recevoir un contrecoup.**

## DEBITAGE

Avant de commencer à débiter le tronc, vérifiez la façon dont il est appuyé au sol. Ceci permet de le couper de façon correcte en évitant ainsi que le guide reste coincé au milieu du tronc.

- Commencez à couper la partie supérieure pour environ 1/3 du diamètre (1 - Fig. 21). Terminez la coupe par la partie inférieure (2 - Fig. 21). De cette façon la coupe sera parfaite et le guide ne restera pas coincé dans le tronc.
- Commencez à couper la partie inférieure pour

environ 1/3 du diamètre (1 - Fig. 22). Terminez la coupe par la partie supérieure (2 - Fig. 22).

**⚠ ATTENTION - Si le guide coince dans une entaille, arrêtez le moteur, soulevez le tronc et changez-le de position (Fig. 23). Ne tentez pas de libérer la chaîne en tirant sur la poignée de la tronçonneuse.**

## 8. ENTRETIEN

**⚠ ATTENTION - Pendant les opérations d'entretien, portez toujours des gants. Laissez refroidir le moteur avant d'intervenir.**

**⚠ ATTENTION - Le non-respect des instructions d'affûtage fait considérablement augmenter le risque de contrecoup.**

### AFFÛTAGE DE LA CHAÎNE

Le pas de la chaîne (Fig. 25) est de 3/8". Portez des gants de protection lorsque vous affûtez la chaîne à l'aide d'une lime ronde de Ø 4.0 mm (5/32").

Affûtez toujours en faisant mordre la lime en poussant vers l'extérieur et en ayant soin de respecter les valeurs reportées sur la Fig. 25.

Après l'affûtage, les gouges doivent être toutes de la même largeur et de la même longueur les unes par rapport aux autres.

**⚠ ATTENTION - Il faut affûter la chaîne à chaque fois que les copeaux présentent des dimensions très réduites semblables à de la sciure.**

Tous les 3-4 affûtages, contrôlez et éventuellement "abattez" le nez de gouge à l'aide d'une lime plate et du gabarit fourni en option, après quoi, arrondissez l'angle antérieur (Fig. 26).

**⚠ ATTENTION - Le réglage correct du nez de gouge est aussi important que l'affûtage correct de la chaîne.**

### GUIDE

Les guides munis de pignon à la pointe doivent être lubrifiés avec de la graisse, en se servant d'une seringue pour lubrification.

Retournez le guide toutes les 8 heures de travail

pour répartir l'usure.

Nettoyez la rainure du guide et le trou de lubrification, à l'aide d'un racloir fourni en option. Contrôlez que les rainures du guide soient parallèles et si cela s'avère nécessaire, ébavurez les bords avec une lime plate.

Tournez le guide et vérifiez que les trous de lubrification sont dégagés d'éventuelles impuretés.

**⚠ ATTENTION - Ne montez jamais une chaîne neuve sur un pignon usé.**

**FILTRE A AIR** - Tourner le pommeau (A, Fig. 27) et contrôlez tous les jours le filtre à air (B). Ouvrir le filtre (B) en intervenant sur les deux languettes (E, Fig.27). Nettoyer avec du dégraissant Emak cod. 001101009A, laver avec de l'eau et souffler à distance avec de l'air comprimé de l'intérieur vers l'extérieur. Remplacer le filtre s'il est fortement colmaté ou endommagé.

**⚠ ATTENTION!** - Lors du remontage du filtre (B), s'assurer de le faire entrer parfaitement dans son logement.

**FILTRE CARBURANT** - Vérifiez périodiquement les conditions du filtre carburant; s'il est trop sale, mieux vaut le changer. (Fig. 28).

### POMPE A HUILE (automatique réglable)

- Le débit est pré-réglé à l'usine. L'opérateur peut varier la distribution de l'huile selon les exigences, au moyen de la vis de réglage (Fig. 32). Il n'y a débit d'huile que lorsque la chaîne est en mouvement.

**⚠ ATTENTION - N'utilisez jamais d'huile de récupération.**

**GROUPE DEMARREUR** - Veillez à ce que les fentes de refroidissement du carter du groupe démarreur soient toujours dégagées. Utilisez un pinceau ou de l'air comprimé.

**MOTEUR** - Nettoyez régulièrement les ailettes du cylindre à l'aide d'un pinceau ou d'air comprimé. L'accumulation d'impuretés sur le cylindre peut provoquer des surchauffes nuisibles au bon fonctionnement du moteur.

**BOUGIE** - Il est recommandé de nettoyer périodiquement la bougie et de contrôler la



distance entre les électrodes (Fig. 29).  
Utiliser une bougie TORCH L8RTF ou autre  
marque avec degré thermique équivalent.

**FREIN DE CHAÎNE** - Si le frein de chaîne ne  
fonctionne pas bien, démontez le carter protège-  
chaîne et nettoyez à fond les éléments du frein.  
Lorsque le ruban du frein de chaîne est usé et/ou  
déformé, remplacez-le.

N'utilisez pas de carburant (mélange) pour les  
opérations de nettoyage.

### **CARBURATEUR**

Avant d'effectuer le réglage du carburateur,  
nettoyez le convoyeur de mise en route et le filtre  
à air (Fig. 27) et faites chauffer le moteur.

La vis de ralenti T est réglée de façon à laisser  
une bonne marge de sécurité entre le régime de  
ralenti et le régime d'embrayage.

**⚠ ATTENTION - La chaîne ne doit jamais  
tourner si le moteur de tronçonneuse  
fonctionne au ralenti. Si la chaîne tourne au  
minimum, il faut agir sur la vis T et diminuer la  
vitesse de rotation du moteur. Si le problème  
persiste, cesser immédiatement le travail et  
faire appel à un centre d'assistance agréé pour  
résoudre le problème.**

**⚠ ATTENTION - Des variations climatiques  
et altimétriques peuvent provoquer  
des variations de carburation. Personne ne  
doit rester près de la tronçonneuse pendant  
que celle-ci travaille, ni pendant la phase de  
réglage de la carburation.**

### **ENTRETIEN EXCEPTIONNEL**

À la fin de la saison, si l'appareil a fait l'objet d'un  
usage intense, ou tous les deux ans en cas  
d'usage normal, faites contrôler l'appareil par un  
technicien spécialisé du réseau d'assistance.

**⚠ ATTENTION! - Les opérations de  
maintenance et d'entretien non reprises  
dans le présent manuel devront être  
effectuées par un agent agréé.** Pour garantir le  
fonctionnement régulier de la tronçonneuse, on  
veillera à ce que les remplacements éventuels de  
pièces détachées soient effectués exclusivement  
avec des **PIÈCES DE RECHANGE D'ORIGINE.**

**⚠ Toute modification non autorisée et/ou  
utilisation d'accessoires non originaux  
peut entraîner des blessures graves ou  
mortelles à l'opérateur ou à des tiers.**

### **TRANSPORT**

Transportez la tronçonneuse avec le moteur  
coupé, après avoir positionné le guide vers  
l'arrière et muni du protège guide (Fig. 31).

**⚠ ATTENTION - Pour transporter la  
tronçonneuse sur un véhicule, s'assurer  
qu'elle y est fixée correctement à l'aide de  
sangles. Transporter la tronçonneuse en position  
horizontale et s'assurer également que les  
consignes pour le transport de ce genre de  
machines ont été respectées.**

## TABLEAU D'ENTRETIEN

Les intervalles d'entretien signalés ici sont valables exclusivement en cas de conditions normales de fonctionnement. Si le travail quotidien s'avère plus contraignant que prévu, réduire en conséquence les intervalles d'entretien.

		Avant toute utilisation	Après chaque ravitaillement	Une fois par semaine	En cas de dommage ou de défaut
Machine complète	Vérifier : fuites, craquelures et niveau d'usure	X	X		
Contrôles : interrupteur, starter, levier d'accélérateur et levier de blocage d'accélérateur	Vérifier le fonctionnement	X	X		
Frein de chaîne	Vérifier le fonctionnement	X	X		
	Faire contrôler par un technicien agréé				X
Réservoir à carburant et réservoir d'huile	Vérifier: fuites, craquelures et niveau d'usure	X	X		
Filtre à carburant	Vérifier et nettoyer			X	
	Remplacer l'élément filtrant				X
Lubrifier la chaîne	Contrôler le rendement	X	X		
Chaîne	Vérifier: dommage, affûtage et niveau d'usure	X	X		
	Contrôler la tension	X	X		
	Affûter: contrôler la profondeur du passage				X
Barre	Vérifier: dommages et niveau d'usure	X	X		
	Nettoyer la cannelure et le conduit de l'huile	X			
	Tourner, lubrifier le pignon et ébarber			X	
	Remplacer				X
Pignon	Vérifier : dommages et niveau d'usure			X	
	Remplacer				X
Embrayage	Vérifier : dommages et niveau d'usure			X	
	Remplacer				X
Disp. d'arrêt chaîne	Vérifier : dommages et niveau d'usure	X	X		
	Remplacer				X
Toute la visserie accessible (sauf vis de carburateur)	Vérifier et resserrer			X	
Filtre à air	Nettoyer	X			
	Remplacer				X
Ailettes cylindre et fentes du carter de démarrage	Nettoyer			X	
Corde de démarrage	Vérifier : dommages et niveau d'usure			X	
	Remplacer				X
Carburateur	Contrôler le ralenti (la chaîne ne doit pas tourner au ralenti)	X	X		
Bougie	Contrôler la distance des électrodes			X	
	Remplacer				X
Système anti-vibrations	Vérifier : dommages et niveau d'usure			X	

## 9. REMISSAGE

Lorsque l'appareil doit être entreposé pendant de longues périodes :

- Vidanger et nettoyer les réservoirs à carburant et huile dans un endroit bien aéré.
- Éliminer le carburant et l'huile conformément aux normes et en respectant l'environnement.
- Pour vider le carburateur, démarrer le moteur et en attendre l'arrêt (le fait de laisser du mélange dans le carburateur pourrait endommager les membranes).
- Enlever, nettoyer et vaporiser de l'huile de protection sur la chaîne et la barre.
- Nettoyer à fond les fentes de refroidissement du carter du groupe de démarrage, le filtre de l'air (Fig. 27) et les ailettes du cylindre.
- Ranger l'engin dans un endroit sec, de préférence sans le mettre en contact direct avec le sol, loin de toute source de chaleur et avec les réservoirs vides.
- Les procédures de mise en service après un remisage hivernal sont les mêmes que pour le démarrage normal de la machine (page 27).

### PROTECTION DE L'ENVIRONNEMENT

La protection de l'environnement est un aspect fondamental et prioritaire de l'utilisation de la machine, au bénéfice de la vie civile et sociale du contexte dans lequel on vit.

- Éviter d'être un élément de gêne pour le voisinage.
- Respecter scrupuleusement les règlements locaux en matière d'élimination des emballages, huiles, essence, batteries, filtres, pièces endommagées ou tout élément à fort impact écologique ; ces résidus ne doivent pas être jetés aux ordures, mais doivent être séparés et remis aux centres de collecte spécialisés qui pourvoient au traitement des déchets.

### Démolition et élimination


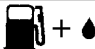

Lors de la mise hors service, ne pas abandonner la machine dans la nature, mais s'adresser à un centre de collecte.

Une grande partie des matériaux éliminés est recyclable ; tous les métaux (acier, aluminium, laiton) peuvent être remis à un ferrailleur. Pour plus d'informations contacter le centre de récupération des déchets de votre zone. L'élimination des dérivés de démolition de la machine devra se faire dans le respect de

l'environnement, en évitant de polluer le sol, l'air et l'eau.

**Dans tous les cas, respecter les législations et règlements en vigueur en la matière.**

## 10. DONNEES TECHNIQUES

	GSH 40 - MTH 400 - MTH 402	
Cylindrée	38.9 cm <sup>3</sup>	
Moteur	2 temps EMAK	
Puissance	1.7 kW	
Nombre de tours/min au ralenti	3.000 min <sup>-1</sup> *	
Nombre de tours/min à plein régime	12.800 min <sup>-1</sup> *	
Pompe primer	Qui	
Vis tendeuse de chaîne latérale	Qui	
Démarrage facilité		Qui
Nombre de dents du pignon	6	
Poids sans guide et chaîne	4.5 kg	
Capacité du réservoir à carburant		320 (0.32) cm <sup>3</sup> (ℓ)
Capacité du réservoir d'huile de la chaîne		220 (0.22) cm <sup>3</sup> (ℓ)
Vitesse de la chaîne à 133% du régime du moteur maximum	21.5 m/s	
<b>* Tours à vide avec barre et chaîne montées</b>		

Combinaisons barres et chaînes recommandées	GSH 40 - MTH 400 - MTH 402	
Pas et épaisseur chaîne	3/8" x .050"	
Longueur du guide	14" (35 cm)	16" (41 cm)
Barre type	140SDEA041	160SDEA041
Chaîne type	91 P	
Longueur de coupe	310 mm	370 mm



### ATTENTION!!!

Le risque de contre-coup (kickback) augmente si l'association barre/chaîne n'est pas correcte! Utilisez exclusivement les combinaisons barre/chaîne recommandées et suivez scrupuleusement les instructions pour l'affûtage.

			<b>GSH 40 - MTH 400 - MTH 402</b>	
Pression acoustique	<b>dB (A)</b>	$L_{pA}$ EN 11681-1 EN 22868	<b>103,2</b>	*
Incertitude	<b>dB (A)</b>		<b>3,2</b>	
Niveau de puissance acoustique mesuré	<b>dB (A)</b>	2000/14/EC EN 22868 EN ISO 3744	<b>111,5</b>	
Incertitude	<b>dB (A)</b>		<b>3,1</b>	
Niveau puissance acoustique assuré	<b>dB (A)</b>	$L_{WA}$ 2000/14/EC EN 22868 EN ISO 3744	<b>115</b>	
Niveau de vibration	<b>m/s<sup>2</sup></b>	EN 11681-1 EN 22867 EN 12096	<b>6,9 (Sx) 7,1 (Dx)</b>	*
Incertitude	<b>m/s<sup>2</sup></b>	EN 12096	<b>1,9 (Sx) 1,9 (Dx)</b>	
<b>* Valeurs moyennes pondérés (1/3 au ralenti, 1/3 pleine charge, 1/3 vitesse en pointe dans le vide).</b>				

## 11. DECLARATION DE CONFORMITÉ

Je soussigné, **EMAK spa via Fermi, 4 - 42011 Bagnolo in Piano (RE) ITALY**

déclare sous sa propre responsabilité que la machine:

1. Catégorie: **Tronçonneuse**

2. Marque: / Type: **OLEO-MAC GSH 40 / EFCO MTH 400 - MTH 402**

3. identification de série **825 XXX 0001 - 825 XXX 9999**

est conforme aux prescriptions de la Directive / du Règlement et de leurs modifications ou intégrations **2006/42/EC - 2014/30/EU - 2000/14/EC - 2011/65/EU**

est conforme aux recommandations des normes harmonisées suivantes: **EN ISO 11681-1:2011 - EN 55012:2007 - EN 55012:2007/A1:2009 - EN ISO 14982:2009**

est conforme au modèle ayant obtenu la certification CE n. **EPT 0477.MAC.19/3235 (GSH 40)  
EPT 0477.MAC.19/3236 (MTH 400)**

Organisme notifié pour la Directive 2000/14 /CE **Eurofins Product Testing Italy S.r.l. - v. Courgnè, 21 - 10156 Torino (TO) - Italy n° 0477**

Procédures suivies pour l'évaluation de la conformité **Annex V - 2000/14/EC**

Niveau de puissance acoustique mesuré **111,5 dB(A)**

Niveau de puissance acoustique garanti: **115 dB(A)**

Fait à: **Bagnolo in piano (RE) Italy - via Fermi, 4**

Date: **20/07/2019**

Documentation technique déposée auprès du **Siège Administratif. - Direction Technique**

  **Emak**<sup>®</sup><sub>s.p.a.</sub>  
Fausto Bellamico - President

## 12. CERTIFICAT DE GARANTIE

Cette machine a été conçue et réalisée avec les techniques de production les plus modernes. Le fabricant garantit ses produits pendant une période de 24 mois à compter de la date d'achat, en cas d'usage privé ou d'activités de bricolage. En cas d'usage professionnel, la garantie est limitée à 12 mois.

### Conditions générales de garantie

- 1) La garantie devient effective à partir de la date d'achat. Le constructeur remplace gratuitement les pièces présentant des vices de matériau, d'usinage ou de fabrication par le biais de son réseau commercial et d'assistance. La garantie ne prive pas l'acheteur des droits qui lui sont octroyés par le code civil contre les conséquences ou les vices causés par la chose vendue.
- 2) Le personnel technique interviendra le plus rapidement possible, dans les délais concédés par les nécessités organisationnelles.
- 3) **Pour demander l'assistance sous garantie, il est nécessaire de présenter au personnel agréé le certificat de garantie ci-dessous portant le cachet du revendeur, dûment rempli et accompagné de la facture d'achat ou du ticket de caisse obligatoire reportant la date d'achat.**
- 4) La garantie s'annule en cas de :
  - d'absence manifeste d'entretien,
  - d'utilisation incorrecte ou de manipulation du produit,
  - d'utilisation de lubrifiants ou de carburants inadéquats,
  - d'utilisation de pièces détachées ou d'accessoires non originaux,
  - d'interventions effectuées par du personnel n'étant pas agréé.
- 5) Le constructeur exclut de la garantie les consommables et les pièces sujettes à usure de fonctionnement normale.
- 6) La garantie exclut les interventions de mise à jour et d'amélioration du produit.
- 7) La garantie ne couvre pas la mise au point ni les interventions d'entretien nécessaires pendant la période de validité de la garantie.
- 8) Les éventuels dommages subis pendant le transport doivent être immédiatement signalés au transporteur sous peine d'annulation de la garantie.
- 9) Les moteurs d'autres marques (Briggs & Stratton, Subaru, Honda, Kipor, Lombardini, Kohler, etc.) montés sur nos machines sont garantis par leurs constructeurs respectifs.
- 10) La garantie ne couvre pas les éventuels dommages, directs ou indirects, causés à des personnes ou des objets suite à des pannes de la machine ou à l'interruption forcée et prolongée de son utilisation.

MODELE

\_\_\_\_\_

N° de SERIE

\_\_\_\_\_

ACHETÉ PAR M.

\_\_\_\_\_

\_\_\_\_\_

\_\_\_\_\_

DATE

\_\_\_\_\_

CONCESSIONNAIRE

\_\_\_\_\_

\_\_\_\_\_

\_\_\_\_\_

\_\_\_\_\_

\_\_\_\_\_

Ne pas expédier ! Joindre uniquement à l'éventuelle demande de garantie technique.

## 13. GUIDE AU RÉOLUTION DES PROBLÈMES



**ATTENTION : toujours arrêter l'outil et débrancher la bougie avant d'intervenir selon les indications du tableau ci-dessous, sauf indication contraire.**

Si le problème persiste après avoir vérifié toutes les causes possibles indiquées, contacter un Centre d'Assistance Agréé. En cas de problème non référencé dans ce tableau, contacter un Centre d'Assistance Agréé.

PROBLÈME	CAUSES PROBABLES	SOLUTION
Le moteur ne démarre pas ou s'arrête quelques secondes après le démarrage.	<ol style="list-style-type: none"> <li>1. Pas d'étincelle</li> <li>2. Moteur noyé</li> </ol>	<ol style="list-style-type: none"> <li>1. Contrôler l'étincelle de la bougie. S'il n'y a pas d'étincelle, répéter le test avec une bougie neuve (<b>L8RTF</b>).</li> <li>2. Suivre la procédure page 28. Si le moteur ne démarre toujours pas, répéter la procédure avec une bougie neuve.</li> </ol>
Le moteur démarre mais n'accélère pas correctement ou ne tourne pas correctement à vitesse élevée.	Régler le carburateur.	Contacteur un Centre d'Assistance Agréé pour régler le carburateur.
Le moteur n'atteint pas le régime maxi et / ou dégage trop de fumée.	<ol style="list-style-type: none"> <li>1. Contrôler le mélange huile/ essence.</li> <li>2. Filtre à air encrassé.</li> <li>3. Régler le carburateur.</li> </ol>	<ol style="list-style-type: none"> <li>1. Utiliser de l'essence neuve et une huile pour moteur 2 temps.</li> <li>2. Nettoyer : voir les instructions au chapitre Entretien filtre de l'air.</li> <li>3. Contacter un Centre d'Assistance Agréé pour régler le carburateur.</li> </ol>
Le moteur démarre, tourne et accélère, mais ne tient pas le ralenti.	Régler le carburateur.	Régler la vis du ralenti "T" (Fig. 30) en la tournant dans le sens des aiguilles d'une montre pour augmenter la vitesse ; voir chapitre Entretien carburateur.
Barre et chaîne se réchauffent et fument durant l'utilisation	<ol style="list-style-type: none"> <li>1. Réservoir d'huile de la chaîne vide</li> <li>2. Chaîne trop tendue</li> <li>3. Système de lubrification défectueux</li> </ol>	<ol style="list-style-type: none"> <li>1. Remplir le réservoir d'huile à chaque ravitaillement du réservoir à carburant.</li> <li>2. Tension chaîne ; voir les instructions au chapitre Montage barre et chaîne (Pages 26).</li> <li>3. Faire tourner 15-30 secondes au régime maxi. Arrêter et vérifier si l'huile s'écoule de la pointe de la barre. S'il y a de l'huile, le dysfonctionnement peut être causé par la chaîne détendue ou la barre endommagée. S'il n'y a pas d'huile, contacter un Centre d'Assistance Agréé</li> </ol>
Le moteur démarre et tourne, mais la chaîne ne tourne pas	<ol style="list-style-type: none"> <li>1. Frein de la chaîne serré</li> <li>2. Chaîne trop tendue</li> <li>3. Assemblage barre et chaîne</li> <li>4. Chaîne et/ou barre endommagée</li> <li>5. Embrayage et/ou pignon endommagé</li> </ol>	<ol style="list-style-type: none"> <li>1. Desserrer le frein de la chaîne ; voir chapitre Utilisation – Frein de la chaîne (Page 30)</li> <li>2. Tension chaîne ; voir les instructions au chapitre Montage barre et chaîne (Pages 26)</li> <li>3. voir les instructions au chapitre Montage barre et chaîne (Pages 26)</li> <li>4. Voir les instructions au chapitre Entretien barre et/ou chaîne (Page 32)</li> <li>5. Remplacer si nécessaire ; contacter un Centre d'Assistance Agréé</li> </ol>



**ATTENTION : ne jamais toucher la chaîne lorsque le moteur tourne**



## TRADUCCIÓN DE LAS INSTRUCCIONES ORIGINALES

### Estimado cliente:

Gracias por elegir un producto Emak. Nuestra red de puntos de venta y talleres autorizados está a su disposición para cualquier necesidad.

### INTRODUCCIÓN

Para utilizar correctamente la máquina y evitar accidentes, lea con atención este manual antes de comenzar el trabajo. El manual contiene explicaciones sobre el funcionamiento de los distintos componentes, además de instrucciones para realizar los controles y el mantenimiento necesarios.

**Nota. Las descripciones e ilustraciones contenidas en el presente manual no son vinculantes. El fabricante se reserva el derecho a modificar los productos sin hacer los cambios correspondientes en el material impreso.**

Además de las instrucciones de uso y mantenimiento, este manual contiene otras informaciones que requieren una especial atención. Dichas informaciones están señaladas con los siguientes símbolos:

**ATENCIÓN:** indica riesgo de accidentes, lesiones personales –incluso mortales– o daños materiales importantes.

**PRECAUCIÓN:** indica riesgo de que se dañen la máquina o sus componentes.

#### ATENCIÓN

#### RIESGO DE DAÑO AUDITIVO

EN CONDICIONES NORMALES, EL USO DE ESTA MÁQUINA PUEDE EXPONER AL CONDUCTOR A UN NIVEL DIARIO DE RUIDO IGUAL O SUPERIOR A **85 dB (A)**.

### ÍNDICE

1. EXPLICACION SIMBOLOS Y ADVERTENCIAS DE SEGURIDAD _____	41
2. COMPONENTES DE LA MOTOSIERRA _____	41
3. NORMAS DE SEGURIDAD _____	41
4. MONTAJE DE LA BARRA Y LA CADENA _____	43
5. PUESTA EN MARCHA _____	43
6. PARADA DEL MOTOR _____	46
7. UTILIZACION _____	46
8. MANTENIMIENTO _____	49
9. ALMACENAJE _____	52
10. DATOS TECNICOS _____	53

11. DECLARACION DE CONFORMIDAD _____	55
12. CERTIFICADO DE GARANTIA _____	56
13. RESOLUCIÓN DE PROBLEMAS _____	57

## 1. EXPLICACION SIMBOLOS Y ADVERTENCIAS DE SEGURIDAD (Fig.1)

1. Antes de utilizar esta máquina, leer el manual de instrucciones.
2. Llevar casco, gafas y auriculares de protección.
3. Tipo de máquina: **MOTOSIERRA**.
4. Nivel de potencia acustica garantizado
5. Número de serie
6. Marcha CE de conformidad
7. Año de fabricación
8. Burbuja primer
9. Freno de cadena, activado (derecha). Freno de cadena, no activado (izquierda).
10. **¡ATENCIÓN!** Las superficies pueden estar calientes.

## 2. COMPONENTS DE LA MOTOSIERRA (Fig. 2)

1. Palanca cebador
2. Palanca del acelerador
3. Palanca de tope del acelerador
4. Tornillo regulación carburador
5. Palanca freno inercial
6. Silenciador
7. Cadena
8. Barra
9. Tapa filtro
10. Interruptor de masa
11. Tapón depósito combustible
12. Empuñadura
13. Tapón depósito aceite
14. Burbuja primer
15. Tornillo lateral para tensar la cadena
16. Empuñadura delantera
17. Empuñadura trasera
18. Funda de la barra

## 3. NORMAS DE SEGURIDAD

**⚠ ATENCIÓN - La motosierra, si se emplea bien, es un instrumento de trabajo cómodo y eficaz; si se usa incorrectamente**

**o sin las debidas precauciones puede convertirse en un instrumento peligroso. Para que su trabajo sea siempre agradable y seguro, respete escrupulosamente las normas de seguridad indicadas a continuación en el presente manual.**

**⚠ ATENCIÓN: El sistema de encendido de su unidad produce un campo electromagnético de muy baja intensidad. Este campo puede interferir con algunos marcapasos. Para reducir el riesgo de lesiones graves o mortales, las personas con marcapasos deberían consultar a su médico y al fabricante del marcapasos antes de utilizar esta máquina.**

**⚠ ¡ATENCIÓN! – El uso de la máquina puede estar limitado por reglamentos nacionales.**

1. No use la motosierra si no conoce perfectamente las intrucciones para su empleo. El operador deberá ejercitarse antes de utilizar la máquina por primera vez.
2. La motosierra debe de ser usada sólo por personas adultas, en buenas condiciones físicas y con conocimiento de las normas de uso.
3. No usar la motosierra en condiciones de fatiga física o se encuentre bajo el efecto de alcohol, drogas o medicación.
4. No llevar bufandas, brazaletes o cualquier prenda que pueda engancharse en la máquina o en la cadena. Usar vestidos adherentes con protección anticorte.
5. Usar zapatos protectivos antideslizantes, guantes, gafas, auriculares y casco de protección.
6. No permitir que otras personas permanezcan en el radio de acción de la motosierra durante el arranque o el corte.
7. No iniciar el corte hasta que el área de trabajo no esté completamente limpia y despejada. No se deben de efectuar cortes en las cercanías de cables eléctricos.
8. Cortar siempre en posición estable y segura.
9. Usar la motosierra sólo en lugares bien ventilados, no usar en atmósfera explosiva, inflamable o en ambientes cerrados.
10. No tocar la cadena o efectuar el mantenimiento cuando el motor está

funcionando.

11. Está prohibido aplicar a la toma de fuerza de la motosierra dispositivos no suministrados por el fabricante.
12. Mantenga todas las etiquetas con las señales de peligro y seguridad en perfectas condiciones. Si alguna se estropea, sustitúyala de inmediato (Fig. 1).
13. No utilice la máquina para una aplicación distinta de las que se indican en el manual (vea pag. 47).
14. No abandonar la máquina en el motor encendido.
15. Controlar diariamente la motosierra para asegurarse de que funcionan todos los dispositivos.
16. Seguir siempre nuestras instrucciones para las operaciones de mantenimiento.
17. No trabajar con una motosierra dañada, mal reparada, mal montada o modificada arbitrariamente. No quite, dañe, o vuelva ineficaz ningún dispositivo de seguridad. Utilizar únicamente barras del largo indicado en el cuadro.
18. No efectuar nunca operaciones o reparaciones que no sean de normal mantenimiento. Dirigirse a talleres especializados y autorizados.
19. No poner en marcha la motosierra sin el carter cubrecadena.
20. Si se necesita poner fuera de servicio la motosierra, no se debe de abandonar en el medio ambiente, se aconseja entregarla al Distribuidor que proveerá a su correcta colocación.
21. Dar (prestar) la motosierra solamente a personas expertas o con conocimiento del funcionamiento y del correcto uso. Prestar conjuntamente el manual de instrucciones de uso, que se deberá leer antes de comenzar el trabajo.
22. Dirigirse siempre a su vendedor para cualquier otra aclaración o intervención prioritaria.
23. Conservar cuidadosamente el presente manual de instrucciones y consultarlo en cada ocasión en que la máquina sea utilizada.
24. El propietario o el usuario es responsable de los riesgos y accidentes sufridos por terceros y de los daños sufridos por bienes.

## INDUMENTOS DE SEGURIDAD

**⚠** La mayoría de los accidentes con la motosierra se verifican cuando la cadena golpea al usuario. **Para trabajar con la motosierra, colocarse siempre indumentos de seguridad homologados.** El uso de elementos de seguridad no elimina los riesgos de lesiones pero reduce los daños en caso de accidente. Consultar con el vendedor de la máquina sobre los indumentos adecuados.

La ropa debe ser cumplir su función de protección y ser cómoda. Utilizar ropa adherente y a prueba de cortes. **La chaqueta, el peto y las polainas de protección son ideales.** No llevar ropa, bufandas, corbatas o adornos que puedan ser atrapados por la madera o la maleza. Recogerse el cabello largo y cubrirse, por ejemplo con un pañuelo, una gorra o un casco.

**Utilizar zapatos o botas de seguridad con suela antideslizante y punteras de acero.**

**Colocarse el casco de protección** en los lugares donde puedan caer objetos.

**¡Utilizar siempre las gafas o la visera de protección!**

**Emplear elementos de protección contra el ruido, como auriculares o tapones.** El uso de las protecciones para el oído exige mayor atención y prudencia porque se reduce la percepción de las señales sonoras de peligro (gritos, alarmas, etc.).

**Colocarse guantes a prueba de cortes.**

## 4. MONTAJE DE LA BARRA Y LA CADENA

**⚠ ATENCIÓN - Colóquese guantes de protección para hacer el montaje. Utilice solo barra y cadenas recomendadas por el fabricante (pág. 53).**

- Mover la protección (Fig. 3) hacia la empuñadura anterior para verificar que el freno cadena no haya sido conectado.
- Quitar las tuercas (A) y desmontar la tapa cubrecadena (B, Fig. 4).
- Quite la protección de cartón aplicada a los

espárragos de la espada (C, Fig. 5).

- Coloquen el trinquete tensor de la cadena (D, Fig. 5) en posición fin de carrera, destornillando todo el tornillo tensor de cadena (L).
- Colocar la barra (F, Fig. 5) sobre los espárragos (N).
- Montar la cadena (H, Fig. 6) dentro el piñón (E) y en la guía de la barra (M). Prestar atención al sentido de rotación de la cadena (Fig. 8).
- Apoyen la cubierta cubre-cadena, introduciéndola en su alojamiento y, manteniéndola presionada contra la barra, atornillen el tornillo tensor de la cadena (L, Fig. 7) para que el trinquete (D, Fig. 5) entre en el orificio (G) de la barra.
- Montar la tapa cubrecadena y las relativas tuercas sin apretarlas.
- Tensor la cadena mediante el tornillo tensacadena (L, Fig. 7)
- Apretar definitivamente las tuercas de fijación de la tapa cubrecadena manteniendo levantada la punta de la barra (Fig. 9). El par de apriete de 1,5 kgm (15 Nm). La cadena debe regularse de forma que esté bien tensa y pueda girar empujándola con la mano (Fig. 10).
- La cadena está regulada a la tensión justa cuando se la puede levantar algunos milímetros tirando de ella hacia arriba (Fig. 10).

**⚠ ATENCIÓN - Mantenga siempre la cadena con la tirantez adecuada.** Una cadena demasiado floja aumenta el riesgo de contragolpe y se puede salir de la ranura de la barra; estas situaciones pueden causar lesiones al usuario y rotura de la cadena. Una cadena demasiado floja acelera el desgaste de la propia cadena, de la barra y del piñón. Por el contrario, una cadena demasiado tirante sobrecarga el motor, que se puede dañar. **Una cadena con la tensión correcta dura más, corta mejor y es más segura.** La duración de la cadena depende de que esté bien tensada y también de una lubricación correcta.

## 5. PUESTA EN MARCHA

### COMBUSTIBLE

**⚠ ATENCIÓN: la gasolina es un combustible extremadamente inflamable. Poner mucho cuidado a la hora de manipular**

**gasolina o una mezcla de combustibles. No fumar ni acercarse a fuego o llamas al combustible o la motosierra.**

- Manipular el combustible con cuidado para reducir el riesgo de incendio o quemadura. El combustible es altamente inflamable.
- Agitar y poner el combustible en un recipiente aprobado para el combustible.
- Mezclar el combustible al aire libre y en ausencia de chispas o llamas.
- Apoyar en el suelo, parar el motor y dejar enfriar antes del llenado.
- Aflojar el tapón del combustible lentamente para aliviar la presión y evitar fugas de combustible.
- Apretar firmemente el tapón de combustible después del llenado. Las vibraciones pueden causar un aflojamiento del tapón y fugas de combustible.
- Secar el combustible de las fugas de la unidad. Desplazar la máquina a 3 metros de distancia del sitio de llenado antes de poner el motor en marcha.
- No intentar en ninguna circunstancia quemar el combustible de las fugas.
- No fumar durante la manipulación del combustible o durante el funcionamiento de la motosierra.
- Almacenar el combustible en un lugar fresco, seco y bien ventilado.
- No almacenar el combustible en lugares con hojas secas, paja, papel, etc.
- Conservar la unidad y el combustible en lugares donde los vapores del combustible no puedan entrar en contacto con chispas o llamas libres, calentadores de agua, motores eléctricos o interruptores, hornos, etc.
- No quitar el tapón del depósito cuando el motor esté en funcionamiento.
- No utilizar combustible para la limpieza.
- Prestar atención para no ensuciarse la ropa con combustible.

Este producto se acciona con un motor de 2 tiempos y requiere la premezcla de gasolina con aceite para motores de 2 tiempos. Premezclar la gasolina sin plomo con el aceite para motores de dos tiempos en un recipiente limpio aprobado para la gasolina.



**COMBUSTIBLE ACONSEJADO:** ESTE MOTOR ESTÁ CERTIFICADO PARA FUNCIONAR CON GASOLINA SIN PLOMO PARA USO AUTOMOVILÍSTICO CON 89 OCTANOS [(R + M) / 2]

O CON UN NÚMERO MAYOR DE OCTANOS.

Mezclar el aceite para motores de 2 tiempos con la gasolina siguiendo las instrucciones del envase.

Recomendamos utilizar aceite para motores de 2 tiempos Oleo-Mac/Efco al **2% (1:50)**, formulado específicamente para todos los motores de dos tiempos enfriados por aire.

Las proporciones correctas de aceite y combustible indicadas en el prospecto son adecuadas cuando se utiliza aceite para motores Oleo-Mac/Efco **PROSINT 2** y **EUROSINT 2** o un aceite para motor de alta calidad equivalente (**especificaciones JASO FD o ISO L-EGD**).

GASOLINA	ACEITE	
		
	2% - 50:1	
ℓ	ℓ	(cm <sup>3</sup> )
1	0,02	(20)
5	0,10	(100)
10	0,20	(200)
15	0,30	(300)
20	0,40	(400)
25	0,50	(500)

**⚠ PRECAUCIÓN: NO UTILIZAR ACEITE PARA VEHÍCULOS O ACEITE PARA MOTORES FUERA DE BORDA DE 2 TIEMPOS.**

**⚠ PRECAUCIÓN:**

- **Comprar sólo la cantidad de combustible necesaria en base al consumo; no comprar más de lo que se utilizará en uno o dos meses;**
- **Conservar la gasolina en un recipiente cerrado herméticamente, en un lugar fresco y seco.**

**⚠ PRECAUCIÓN - Para la mezcla, no utilice nunca un carburante con más del 10% de etanol. Se puede emplear gasohol (mezcla de gasolina y etanol) con contenido de etanol de hasta 10 % o combustible E10.**

**NOTA** - Prepare solo la mezcla necesaria para el uso; no la deje en el depósito o en el bidón durante mucho tiempo. Para conservar la mezcla durante 12 meses, se aconseja añadir estabilizador de combustible **Emak ADDITIX 2000** cód. 001000972.

## Gasolina alquilada

**⚠ PRECAUCIÓN - La gasolina de alquilación no tiene la misma densidad que la gasolina normal. Por lo tanto, los motores puestos a punto con gasolina normal pueden precisar una regulación del tornillo H. Para esta operación, acuda a un centro de asistencia autorizado.**

## LLENADO

Agitar el bidón de la mezcla antes del llenado.

**⚠ ATENCIÓN: seguir las instrucciones de seguridad al manipular el combustible. Apagar el motor antes del llenado. No añadir combustible a una máquina con el motor caliente o en funcionamiento. Alejarse 3 m del punto de llenado antes de poner el motor en marcha. ¡NO FUMAR!**

1. Limpiar la superficie en torno al tapón del combustible para evitar contaminaciones.
2. Aflojar lentamente el tapón del combustible.
3. Verter la mezcla de combustible con cuidado en el depósito. Evitar que el combustible se derrame.
4. Antes de volver a poner el tapón del combustible, limpiar e inspeccionar la junta.
5. Colocar inmediatamente el tapón y apretarlo a mano. Eliminar todo eventual residuo de combustible.

**⚠ ATENCIÓN: comprobar que no haya fugas de combustible; si las hay, eliminarlas antes del uso. Si es necesario, contactar con el servicio de asistencia del revendedor.**

## SUMINISTRO DE ACEITE Y LUBRICACION CADENA

La lubricación de la cadena se efectúa mediante una bomba automática que no requiere mantenimiento.

La bomba del aceite está calibrada de origen para suministrar la cantidad de aceite suficiente, aún en condiciones de trabajo pesado. Se puede considerar normal eventuales goteras de aceite durante el corte de madera delgada.

- Antes de repostar limpiar bien la zona en torno al tapón (13, Fig. 2) a fin que ninguna impureza entre en el depósito.
- Durante el trabajo controlar a menudo el nivel de aceite disponible.

- Después de completar el suministro, accionar el motor en vacío dos o tres veces, para que se restablezca el flujo correcto del aceite.

- En caso de avería no intervenir, dirigirse al vendedor de confianza más cercano.

La correcta lubricación de la cadena durante las distintas fases de corte reduce al mínimo el desgaste entre la cadena y la barra asegurando, por lo tanto, su mayor duración. Utilice siempre aceite de buena calidad.

**⚠ ATENCIÓN - Está prohibido usar aceite recuperado.**

**Utilizar siempre un lubricante biodegradable específico (eco-lube Oleo-Mac/Efco) para barras y cadenas en el máximo respeto de la naturaleza, de la salud de l'operador y la vida útil de los componentes de la motosierra.**

**⚠ Antes de arrancar el motor asegurarse que la cadena no esté en contacto con un cuerpo extraño.**

**⚠ Con el motor en movimiento, sujetar siempre fuertemente la empuñadura anterior con la mano izquierda y la posterior con la mano derecha (Fig. 11).**

- No sobresalirse y no cortar por encima de la altura de los hombros; con un agarre demasiado alto de la motosierra es difícil controlar y contrarrestar las fuerzas tangenciales (kickback).

- **Verificar que todas las partes del cuerpo estén alejadas de la cadena y del silenciador.**

- **Las personas zurdas deben seguir también estas instrucciones. Adopte una postura adecuada para cortar.**

**⚠ La exposición a las vibraciones puede causar daños a las personas que sufren de problemas de circulación sanguínea o nerviosos. Acudir al médico en caso de presentarse síntomas físicos como entumecimiento, falta de sensibilidad, debilitamiento o variaciones del color de la piel. Estos síntomas suelen aparecer en los dedos, las manos y los puños.**

## Motor ahogado

- Ajuste el interruptor de activación/desactivación en la posición **STOP** (B, Fig. 13).

- Suelte el tornillo de la tapa de la bujía (A, Fig. 27).
- Retire la tapa.
- Haga palanca para sacar la funda de la bujía.
- Desenrosque la bujía y séquela.
- Abra el acelerador por completo.
- Tire de la cuerda del motor de arranque varias veces para desahogar la cámara de combustión.
- Vuelva a poner la bujía y conecte su funda; presione **firmemente** hacia abajo.
- Ponga la palanca de estrangulación en la posición OPEN, aunque el motor esté frío.
- Ahora, arranque el motor.

**⚠ ATENCIÓN** – No arrancar la motosierra si la barra, la cadena y el cárter de embrague (freno de cadena) no están montados; el embrague podría **aflojarse** y provocar **lesiones**.

## PUESTA EN MARCHA

**El freno de la cadena debe estar accionado al arrancar la motosierra. Ponga el freno de la cadena empujando la palanca del freno de la cadena / protector de manos hacia adelante (hacia la barra), hasta la posición de freno (Fig. 12).** Cebear el carburador pulsando la burbuja transparente (A, Fig. 14). Ponga la palanca del arrancador (B, Fig.14A) en la posición más baja (1). Apoyar la motosierra sobre el terreno en posición estable. Comprobar que la cadena gire sin dificultad y no choque contra cuerpos extraños. Antes de arrancar el motor, compruebe que la cadena no toca ningún objeto. No arranque nunca la motosierra cuando la barra guía se encuentre en un corte. Sujetar firmemente con la mano izquierda la empuñadura anterior y colocar el pie derecho sobre la base de la empuñadura posterior (Fig. 15). Tirar de la cuerda de arranque varias veces, hasta conseguir el **primer estallido**. Ponga la palanca del arrancador (B, Fig.14B) en la posición intermedia (2). Poner en marcha tirando de la cuerda de arranque. Una vez puesto en marcha el motor, desactivar el freno de cadena y **esperar algunos segundos** antes de accionar la palanca del acelerador (C, Fig. 13) para desbloquear el dispositivo de semi-aceleración automática.

**⚠ ATENCIÓN** - Cuando el motor está caliente no se debe usar el cebador para la puesta en marcha.

**⚠ ATENCIÓN** - Emplear el dispositivo de semi aceleración exclusivamente en la fase de puesta en marcha del motor.

## RODAJE DEL MOTOR

El motor alcanza su potencia máxima al cabo de 5-8 horas de trabajo.

Durante este período de rodaje, no haga funcionar el motor sin carga al régimen máximo para evitar un esfuerzo excesivo.

**⚠ ATENCIÓN.** Durante el rodaje, no modificar la carburación con el propósito de aumentar la potencia, el motor podría dañarse.

**NOTA:** es normal que un motor nuevo emita humo durante y después del primer uso.

## RODAJE CADENA

La regulación debe efectuarse siempre con la cadena fría. Hacer girar la cadena manualmente lubricándola con aceite suplementario. Arrancar el motor durante algunos minutos, a velocidad moderada, controlando el regular funcionamiento de la bomba de aceite. Parar el motor y regular la tensión de la cadena. Arrancar el motor efectuando algunos cortes en un tronco. Parar de nuevo el motor y recontrolar la tensión de la cadena. Repetir la operación hasta que la cadena haya alcanzado su alargamiento máximo. No tocar el terreno con la cadena.

**⚠ ATENCIÓN** - No tocar la cadena cuando el motor está en marcha. No tocar el terreno con la cadena.

## 6. PARADA DEL MOTOR

Llevar la palanca del acelerador (C, Fig. 12) al mínimo. Apague el motor situando la palanca del arrancador (B, Fig.13) en la posición más alta (3).

**⚠ No apoyar la motosierra sobre el terreno si la cadena está aún en movimiento.**

## 7. UTILIZACIÓN

La inhalación prolongada de los gases de escape del motor, del aceite nebulizado de la cadena

y del polvo de serrín puede ser nociva para la salud.

### SISTEMA ANTIHIELO

**Con temperaturas inferiores a 0°C**, situar el cursor (A, Fig.33) en la posición invernal. De este modo, además del aire frío se aspira también aire caliente procedente del cilindro, que evita la formación de hielo dentro del carburador.

**Con temperaturas superiores a +10°C, situar nuevamente el cursor (A, Fig.34) en la posición de verano. De lo contrario, el motor podría recalentarse y no funcionar correctamente.**

### FRENO CADENA

El freno cadena inercial es un dispositivo de grande seguridad en el uso de la motosierra. Protege al operador de los eventuales peligrosos rebotes que se pudieran producir durante las distintas fases del trabajo. Viene activado, con el consiguiente bloqueo instantáneo de la cadena, cuando la mano del operador hace presión sobre la palanca (accionamiento manual), o bien automáticamente por inercia, cuando la protección viene empujada hacia adelante (Fig. 16) en caso de rebote al imprevisto (accionamiento inercial).

El freno cadena se desbloquea tirando de la palanca hacia el operador (Fig. 3).

### CONTROL FUNCIONAMIENTO FRENO

Al efectuar una inspección antes de ejecutar cualquier trabajo, verificar el funcionamiento del freno observando los siguientes puntos:

1. Accionar el motor y tomar la empuñadura firmemente con ambas manos.
2. Tirando la palanca de gases para mantener el funcionamiento de la cadena, empujar la palanca del freno hacia abajo, a la parte anterior, utilizando el dorso de su mano izquierda (Fig. 11).
3. Al accionar el freno y al detener la cadena, liberar la palanca de gases.
4. Liberar el freno (Fig. 3).

**MANUTENCION FRENO:** Mantener siempre limpio el mecanismo del freno cadena y lubricar las palancas. Verificar el desgaste de la cinta

del freno. El espesor mínimo debe de ser de **0.30 mm.**

### USOS NO ADMITIDOS

**⚠ ATENCION - Seguir siempre las normas de seguridad. Esta motosierra está diseñada y construida para el desramaje y el mantenimiento de árboles erguidos y arbustos. Está prohibido cortar otros tipo de materiales. Las vibraciones y el contragolpe son diferentes y los requisitos de seguridad no serían respetados. No usar la motosierra como palanca para levantar, mover o partir objetos. Está prohibido aplicar a la toma de fuerza de la motosierra utensilios o accesorios que no sean los indicados por el constructor.**

### PRECAUCIONES EN EL ÁREA DE TRABAJO

- No trabajar cerca de cables eléctricos.
- Trabajar sólo cuando la visibilidad y la luz sean suficientes para ver claramente.
- Detener el motor antes de apoyar la motosierra.
- Prestar atención especialmente cuando se estén utilizando dispositivos de protección que pueden limitar la capacidad de oír sonidos que indican riesgos (avisos, señales, advertencias, etc.).
- Tener mucho cuidado al trabajar en pendiente o sobre terrenos irregulares.
- No corte con la motosierra por encima de la altura del pecho, puesto que si está en una posición más alta resultará difícil controlarla frente a fuerzas de rebote.
- **No corte subido a una escalera, ya que es muy peligroso.**
- Pare la motosierra si la cadena golpea algún objeto extraño. Inspeccione la motosierra y repare las piezas según sea necesario. Si la máquina se cae, revisela con atención antes de volver a usarla.
- Mantenga la cadena limpia y sin arena. Incluso una pequeña cantidad de suciedad hará que la cadena pierda brillo rápidamente y aumentará la posibilidad de que se produzcan rebotes.
- Mantener siempre secas y limpias las empuñaduras.
- Cortando un tronco o una rama en tensión,

prestar atención para que no le sorprenda la instantánea disminución de la tensión de la madera.

- Tener mucha precaución cortando ramas pequeñas o arbustos que pueden bloquear la cadena o ser proyectados contra usted y hacerle perder el equilibrio.

## **NORMAS DE TRABAJO**

**⚠ ATENCIÓN – El derribamiento de un árbol es una operación que requiere experiencia. No intentar derribar un árbol si no se es experto. EVITAR TODAS LAS OPERACIONES PARA LAS CUALES NO SE CUENTE CON LA PREPARACIÓN NECESARIA. Se recomienda a los usuarios inexpertos abstenerse de derribar árboles cuyo tronco tenga un diámetro superior a la longitud de la barra. Si se usa la motosierra por primera vez, efectuar algunos cortes sobre un tronco estable para familiarizarse con el producto en acción. Durante el corte acelerar al máximo. No hacer fuerza sobre la motosierra; su solo peso permitirá cortar con un esfuerzo mínimo.**

**⚠ ATENCION - No corte cuando hace mal tiempo, con escasa visibilidad o con temperaturas demasiado rígidas o elevadas. Asegúrese de que no hay ramas secas que pueden caer.**

## **ABATIMIENTO**

Para derribar y seccionar un árbol se debe sacar ventaja del trinquete, utilizándolo como eje. Estudiar bien el árbol y el terreno circunstante antes de empezar a cortar. Liberar la zona de trabajo. Prepararse una amplia posibilidad de retroceso para el momento en que el árbol iniciará la caída (Fig. 17). Quitar eventuales ramas presentes en la parte inferior del tronco hasta una altura de 2 m. Efectuar un corte perpendicular a la planta, correspondiente a 1/4 del diámetro del tronco, iniciándolo de la parte donde se prevee la caída (1 - Fig. 18). Aproximadamente 10 cm más arriba iniciar un segundo corte que se una con el final del primero. Se extraerá de este modo una cuña y en esa dirección caerá la planta (2 - Fig. 18). Practicar ahora en la parte opuesta al primer corte el verdadero corte de abatimiento. Deberá efectuarse 4-5 cm por encima del primer corte

(3 - Fig. 18).

Dejar siempre una bisagra (A, Fig. 19-24) que permite el control de la dirección de caída. Meter una cuña en el corte de abatimiento antes de que el árbol comience a moverse para evitar que la barra de la motosierra se bloquee.

Si el diámetro del tronco es superior a la longitud de la barra, realizar el corte de abatimiento como se indica en la Fig. 19.

## **DESRAMADO**

- a) Comenzar siempre desde el diámetro mayor y dirigirse hacia la punta para desramar la planta o eventuales ramas secundarias.
- b) Buscar siempre la posición más estable y segura antes de acelerar la motosierra. Si es necesario mantener el equilibrio apoyando la rodilla más cercana al tronco en el mismo.
- c) Mantener la motosierra apoyada apoyada al tronco para no cansarse excesivamente, girándola sobre el lado izquierdo o derecho según la posición de la rama que se debe cortar (Fig. 20).
- d) En el caso de ramas bajo tensión buscar una posición segura para protegerse del posible golpe de látigo. Iniciar siempre el corte por la parte opuesta a la doblez.
- e) Para desramar ramas de diámetro grande, utilizar el trinquete.

**⚠ ATENCION - No use el borde superior de la punta de la barra cuando debe desramar, corre el riesgo de recibir un contragolpe.**

## **CORTE**

Antes de cortar el tronco, controlar cómo está apoyado al suelo. Esto permitirá cortarlo en el modo correcto evitando que la barra quede bloqueada en medio del tronco.

- a) Comenzar a cortar por la parte superior, aproximadamente 1/3 del diámetro (1 - Fig. 21). Terminar el corte en la parte inferior (2 - Fig. 21). De esta forma el corte será perfecto y la barra no quedará bloqueada en el tronco.
- b) Iniciar el corte en la parte inferior, aproximadamente 1/3 del diámetro (1 - Fig. 22). Terminar el corte desde la parte superior (2 - Fig. 22).



**⚠ ATENCION - Si la madera se cierra sobre la cadena durante el corte, parar el motor, levantar el tronco y cambiar posición (Fig. 23). No tratar de liberar la cadena tirando por la empuñadura de la motosierra.**

## 8. MANTENIMIENTO

**⚠ ATENCION - Durante las operaciones de manutención llevar siempre los guantes de seguridad. No efectuar la manutención con el motor caliente.**

**⚠ ATENCION - La inobservancia de las instrucciones para el afilado aumenta considerablemente el riesgo de rebote.**

### AFILADO CADENA

El paso de la cadena (Fig. 25) es de 3/8".

Afilar la cadena utilizando guantes de seguridad y lima redonda de Ø 4.0 mm (5/32").

Afilar siempre la cadena desde el interior hacia el exterior del filo respetando los valores que figuran en Fig. 25.

Los eslabones cortantes, después del afilado, deben ser todos de la misma anchura y longitud.

**⚠ ATENCION - La cadena debe ser afilada cada vez que se observe que las virutas son de dimensiones muy reducidas, como el normal aserrín.**

Cada 3-4 afilados es necesario controlar y, eventualmente, limar el delimitador de profundidad sirviéndose de la lima plana y de la lima suministrada como opcional, seguidamente se deberá redondear el ángulo anterior (Fig. 26).

**⚠ ATENCION - La correcta regulación del delimitador de profundidad es tan importante como el correcto afilado de la cadena.**

### BARRA

Las barras con piñón en la punta deben ser lubricadas con grasa usando una jeringuilla para lubricación.

La barra se debe girar cada 8 horas de trabajo para permitir un desgaste uniforme.

Mantener limpias las ranuras de la barra

y el orificio de lubricación con la rasqueta suministrada como opcional.

Controlar que las guías de la barra sean paralelas y, si es necesario, quitar las rebabas laterales con la lima plana.

Girar la barra y verificar que los orificios de lubricación estén libres de impurezas.

**⚠ ATENCION - No montar nunca una cadena nueva sobre un piñón.**

**FILTRO DEL AIRE** - Girar la perilla (A, Fig. 27) y controlar diariamente el filtro del aire (B). Para abrir el filtro (B), presionar las dos lengüetas (E, Fig. 27). Limpie con desengrasante Emak cód. 001101009A, lave con agua y sople a distancia con aire comprimido desde el interior hacia el exterior. Sustituya el filtro si está muy atascado o dañado.

**⚠ ¡ATENCIÓN!** - Cuando se vuelva a montar el filtro (B), encajarlo bien en su alojamiento.

**FILTRO COMBUSTIBLE** - Controlar periódicamente las condiciones del filtro, en caso de excesiva suciedad, cambiarlo (Fig. 28).

**BOMBA ACEITE (automática regulable)** - El caudal se regula previamente en la fábrica. El flujo del aceite puede ser variado por el operador, según las necesidades, mediante el tornillo de regulación correspondiente (Fig. 32). El caudal de aceite se activa sólo cuando la cadena está en movimiento.

**⚠ ¡ATENCIÓN!** - No emplee nunca aceite recuperado.

**GRUPO DE ARRANQUE** - Mantener libres y limpios los orificios de refrigeración del carter del conjunto de arranque con pincel o aire comprimido.

**MOTOR** - Limpiar periódicamente las aletas del cilindro con un pincel o con aire comprimido. La acumulación de impurezas sobre el cilindro puede provocar recalentamientos dañinos para el buen funcionamiento del motor.

**BUJIA** - Se recomienda la limpieza periódica de la bujía y el control de la distancia de los electrodos (Fig. 29).

Utilizar bujía TORCH L8RTF o de otra marca con grado térmico equivalente.

**FRENO DE LA CADENA** - Si se diera el caso de que el freno de la cadena no funcionara correctamente, desmontar el cárter cubrecadena y limpiar a fondo los componentes del freno. Cuando la cinta esté gastada y/o deformada, cambiarla.

No usar combustible (mezcla) para operaciones de limpieza.

### **CARBURADOR**

Antes de regular el carburador, limpiar el transportador de encendido, el filtro del aire (Fig. 27) y calentar el motor.

El tornillo del régimen mínimo T ha sido regulado para que haya un buen margen de seguridad entre el régimen del mínimo y el régimen del embrague.

**⚠ ATENCIÓN - Con el motor al mínimo, la cadena no debe girar. Si la cadena se mueve con el motor al mínimo, gire el tornillo T y reduzca la velocidad del motor. Si el problema no se resuelve, interrumpa de inmediato el trabajo y llame a un centro de asistencia autorizado.**

**⚠ ATENCIÓN - Las variaciones climáticas o altimétricas pueden provocar variaciones en la carburación. No permitir que otras personas estén cerca de la motosierra mientras está trabajando ni durante la fase de registro de la carburación.**

### **MANTENIMIENTO EXTRAORDINARIO**

Se aconseja hacer revisar el equipo por un técnico especializado del servicio de asistencia, todos los años si el uso es intensivo o cada dos años si el uso es normal.

**⚠ ¡ATENCIÓN! - Todas las operaciones de mantenimiento no indicadas en este manual deben ser realizadas por un taller autorizado.** Para garantizar un funcionamiento correcto y constante de la motosierra es preciso utilizar exclusivamente **RECAMBIOS ORIGINALES.**

**⚠ Eventuales modificaciones no autorizadas y/o el uso de accesorios no originales pueden causar lesiones graves o mortales al operador o a terceros.**

### **TRANSPORTE**

Transportar la motosierra con el motor apagado, con la barra dirigida hacia atrás y el cubrebarra inserido (Fig. 31).

**⚠ ATENCIÓN - Para el transporte de la máquina en un vehículo, asegurarse de que esté fijada en el vehículo de modo correcto y firme mediante correas. La máquina se debe transportar en posición horizontal; cerciorarse de que se cumplan las normas vigentes en materia de transporte de máquinas.**

## TABLA DE MANTENIMIENTO

Las siguientes frecuencias de mantenimiento son aplicables sólo en condiciones de funcionamiento normal. Si su trabajo cotidiano es más severo de lo normal, reduzca los intervalos en consecuencia.		Antes de cada uso	Después de cada pausa para el reabastecimiento	Semanalmente	En caso de daños o defectos
Máquina completa	Inspeccionar: fugas, grietas, desgaste	X	X		
Controles: interruptor, cebador, palanca del acelerador y palanca de bloqueo del acelerador	Verificar el funcionamiento	X	X		
Freno cadena	Verificar el funcionamiento	X	X		
	Hacer revisar en un taller autorizado				X
Depósito de combustible y depósito de aceite	Inspeccionar: fugas, fisuras, desgaste	X	X		
Filtro de combustible	Inspeccionar y limpiar			X	
	Sustituir el elemento filtrante				X
Lubricación cadena	Controlar el rendimiento	X	X		
Cadena	Inspeccionar: daños, afilado y desgaste	X	X		
	Controlar la tensión	X	X		
	Afilar: controlar la profundidad de pasada				X
Barra	Inspeccionar: daños y desgaste	X	X		
	Limpiar el acanalado y el conducto de aceite	X			
	Girar, lubricar el carrete y desbarbar			X	
	Sustituir				X
Piñón	Inspeccionar: daños y desgaste			X	
	Sustituir				X
Embrague	Inspeccionar: daños y desgaste			X	
	Sustituir				X
Tope cadena	Inspeccionar: daños y desgaste	X	X		
	Sustituir				X
Todos los tornillos y tuercas accesibles (menos los tornillos del carburador)	Inspeccionar y apretar			X	
Filtro de aire	Limpiar	X			
	Sustituir				X
Aletas del cilindro y ranuras del cárter de arranque	Limpiar			X	
Cuerda de arranque	Inspeccionar: daños y desgaste			X	
	Sustituir				X
Carburador	Controlar el mínimo (la cadena no debe girar al mínimo)	X	X		
Bujía	Controlar la distancia de los electrodos			X	
	Sustituir				X
Sistema antivibración	Inspeccionar: daños y desgaste			X	

## 9. ALMACENAJE

Si la máquina no se va a utilizar durante un tiempo prolongado:

- Vaciar y limpiar los depósitos de combustible y de aceite en un lugar bien ventilado.
- Eliminar el combustible y el aceite siguiendo las normas y respetando el medio ambiente.
- Para vaciar el carburador, poner el motor en marcha y esperar que se pare (si queda mezcla en el carburador, las membranas pueden dañarse).
- Quitar y limpiar la cadena y la barra, y rociarlas con aceite protector.
- Limpiar cuidadosamente las ranuras de refrigeración del cárter del grupo de arranque, el filtro de aire (Fig. 27) y las aletas del cilindro.
- Conservar la máquina con los depósitos vacíos en un ambiente seco, en lo posible sin contacto con el suelo y lejos de fuentes de calor.
- Para volver a utilizar la máquina después de la pausa invernal, es suficiente realizar las mismas operaciones que para la puesta en marcha habitual (pág. 43).

### PROTECCIÓN DEL AMBIENTE

La protección ambiental debe ser un aspecto prioritario del uso de la máquina, en beneficio de la convivencia cívica y de la salud del planeta.

- Evite causar molestias a sus vecinos.
- Respete escrupulosamente las normas locales sobre el desecho de embalajes, aceites, gasolina, baterías, filtros, piezas deterioradas o cualquier elemento de fuerte impacto ambiental. No los deseche con los residuos domésticos, sepárelos según su composición y llévelos a un centro de clasificación y reciclaje.




### Desguace y eliminación

Al final de la vida útil de la máquina, no la deje con la basura doméstica sino en un centro de residuos especiales.

Gran parte de los materiales que componen la máquina son reciclables; por ejemplo, todos los metales (acero, aluminio, latón) se pueden entregar a un chatarrero. Para más información, consulte al servicio de recogida de residuos de su zona. Una vez desguazada la máquina, deseche los componentes de acuerdo con las normas de protección ambiental, evitando contaminar el suelo, el aire y el agua.

**En todos los casos deben respetarse las normas pertinentes.**

## 10. DATOS TECNICOS

	GSH 40 - MTH 400 - MTH 402	
Cilindrada	38.9 cm <sup>3</sup>	
Motor	2 tiempos EMAK	
Potencia	1.7 kW	
N. giros/min. mínimo	3.000 min <sup>-1</sup> *	
N. giros/min máximo	12.800 min <sup>-1</sup> *	
Burbuja primer	Si	
Tornillo lateral para tensar la cadena	Si	
Arranque fácil		Si
Número dientes piñón	6	
Peso sin barra y sin cadena	4.5 kg	
Capacidad del depósito de combustible		320 (0.32) cm <sup>3</sup> (ℓ)
Capacidad del depósito de aceite de la cadena		220 (0.22) cm <sup>3</sup> (ℓ)
Velocidad de la cadena al 133% del régimen del motor máximo	21,5 m/s	
<b>* Vueltas en vacío con barra y cadena</b>		

Combinaciones de barras y cadenas recomendadas	GSH 40 - MTH 400 - MTH 402	
Paso y espesor de la cadena	3/8" x .050"	
Longitud de barra	14" (35 cm)	16" (41 cm)
Barra tipo	140SDEA041	160SDEA041
Cadena tipo	91 P	
Longitud de corte	310 mm	370 mm



### ATENCION!!!

El riesgo de contragolpe (kickback) es mayor en caso de combinación barra/cadena errónea. Utilizar exclusivamente las combinaciones barra/cadena recomendadas y atenerse a las instrucciones de afilado.

			<b>GSH 40 - MTH 400 - MTH 402</b>	
Presión acústica	<b>dB (A)</b>	$L_{pA}$ EN 11681-1 EN 22868	<b>103,2</b>	*
Incertidumbre	<b>dB (A)</b>		<b>3,2</b>	
Nivel de potencia acústica medido	<b>dB (A)</b>	2000/14/EC EN 22868 EN ISO 3744	<b>111,5</b>	
Incertidumbre	<b>dB (A)</b>		<b>3,1</b>	
Nivel potencia acústica garantizado	<b>dB (A)</b>	$L_{WA}$ 2000/14/EC EN 22868 EN ISO 3744	<b>115</b>	
Nivel de vibración	<b>m/s<sup>2</sup></b>	EN 11681-1 EN 22867 EN 12096	<b>6,9 (Sx) 7,1 (Dx)</b>	*
Incertidumbre	<b>m/s<sup>2</sup></b>	EN 12096	<b>1,9 (Sx) 1,9 (Dx)</b>	
<b>* Valores medios ponderados (1/3 mínimo, 1/3 plena carga, 1/3 velocidad máxima en vacío).</b>				

## 11. DECLARACION DE CONFORMIDAD

El abajo firmante, **EMAK spa via Fermi, 4 - 42011 Bagnolo in Piano (RE) ITALY**

declara bajo su responsabilidad que la máquina:

1. Género: **Motosierra**

2. Marca: / Tipo: **OLEO-MAC GSH 40 / EFCO MTH 400 - MTH 402**

3. identificación de serie **825 XXX 0001 - 825 XXX 9999**

cumple lo establecido por la Directiva / el Reglamento y sucesivas modificaciones o integraciones **2006/42/EC - 2014/30/EU - 2000/14/EC - 2011/65/EU**

cumple las siguientes normas armonizadas: **EN ISO 11681-1:2011 - EN 55012:2007 - EN 55012:2007/A1:2009 - EN ISO 14982:2009**

es conforme al modelo que ha obtenido la certificación CE N.º **EPT 0477.MAC.19/3235 (GSH 40)  
EPT 0477.MAC.19/3236 (MTH 400)**

Organismo notificado de la Directiva 2000/14/CE **Eurofins Product Testing Italy S.r.l. - v. Courgnè, 21 - 10156 Torino (TO) - Italy n° 0477**

Procedimientos utilizados para determinar la conformidad **Annex V - 2000/14/EC**

Nivel de potencia acústica medido **111,5 dB(A)**

Nivel de potencia acústica garantizado: **115 dB(A)**

Hecho en: **Bagnolo in piano (RE) Italy - via Fermi, 4**

Fecha: **20/07/2019**

Documentación técnica depositada en: **sede administrativa. - Dirección técnica**

  **Emak**<sup>®</sup> s.p.a.  
Fausto Bellamico - President

## 12. CERTIFICADO DE GARANTÍA

Esta máquina ha sido diseñada y realizada con las técnicas más avanzadas. El fabricante garantiza sus productos por 24 meses desde la fecha de compra para uso no profesional. La garantía se limita a 12 meses en caso de uso profesional

### Condiciones generales de la garantía

- 1) La garantía tiene validez a partir de la fecha de compra. A través de la red de ventas y asistencia técnica, el fabricante sustituirá gratuitamente las partes que presenten defectos de material o de fabricación. La garantía no priva al comprador de los derechos legales establecidos por el Código Civil con respecto a las consecuencias de los defectos o vicios del objeto vendido.
- 2) El personal técnico actuará lo más pronto posible, dentro de los límites impuestos por motivos organizativos.
- 3) **Para solicitar asistencia en garantía, es necesario presentar el certificado que figura más adelante, sellado por el vendedor y cumplimentado en todas sus partes, además de la factura o el tique de compra.**
- 4) La garantía se anula en caso de:
  - Ausencia manifiesta de mantenimiento.
  - Utilización incorrecta o alteración del producto.
  - Uso de lubricantes o combustibles inadecuados.
- Empleo de recambios o accesorios no originales.
- Intervenciones realizadas por personal no autorizado.
- 5) La garantía no cubre los materiales de consumo ni las partes sujetas a un desgaste normal de funcionamiento.
- 6) La garantía no cubre los trabajos de actualización y mejora del producto.
- 7) La garantía no cubre la puesta a punto ni las operaciones de mantenimiento que deban realizarse durante el periodo de garantía.
- 8) Todo daño sufrido por el producto durante el transporte debe señalarse inmediatamente al transportista; de lo contrario la garantía se anula.
- 9) Para los motores de otras marcas (Briggs & Stratton, Subaru, Honda, Kipor, Lombardini, Kohler, etc.) montados en nuestras máquinas, vale la garantía del respectivo fabricante.
- 10) La garantía no cubre daños o perjuicios directos o indirectos, materiales o personales, causados por fallos de la máquina o derivados de la imposibilidad de utilizarla.

MODELO

\_\_\_\_\_

Nº DE SERIE

\_\_\_\_\_

ADQUIRIDO POR EL SR.

\_\_\_\_\_

\_\_\_\_\_

\_\_\_\_\_

FECHA

\_\_\_\_\_

\_\_\_\_\_

CONCESIONARIO

¡No expedir! Adjuntar sólo al pedido de asistencia técnica.



### 13. RESOLUCIÓN DE PROBLEMAS



**ATENCIÓN: parar la unidad y desconectar la bujía antes de realizar todas las pruebas correctivas recomendadas en la tabla siguiente, a no ser que sea necesario el funcionamiento de la unidad.**

Una vez verificadas todas las posibles causas, si el problema no se resuelve, llamar a un Centro de Asistencia Autorizado. Si se observa un problema no listado en esta tabla, llamar a un Centro de Asistencia Autorizado.

PROBLEMA	POSIBLES CAUSAS	SOLUCIÓN
El motor no arranca o se apaga a los pocos segundos del arranque.	<ol style="list-style-type: none"> <li>1. No hay chispa</li> <li>2. Motor atascado</li> </ol>	<ol style="list-style-type: none"> <li>1. Controlar la chispa de la bujía. Si no hay chispa, repetir la prueba con una bujía nueva (LBRTF).</li> <li>2. Seguir el procedimiento de la pág. 46. Si el motor no arranca, repetir el procedimiento con una bujía nueva.</li> </ol>
El motor arranca, pero no acelera correctamente o no funciona correctamente a alta velocidad.	Es necesario regular el carburador.	Llamar a un Centro de Asistencia Autorizado para regular el carburador.
El motor no alcanza la máxima velocidad y/o emite demasiado humo.	<ol style="list-style-type: none"> <li>1. Controlar la mezcla aceite-gasolina.</li> <li>2. Filtro de aire sucio.</li> <li>3. Es necesario regular el carburador.</li> </ol>	<ol style="list-style-type: none"> <li>1. Utilizar gasolina fresca y un aceite adecuado para motores de 2 tiempos.</li> <li>2. Limpiar; leer las instrucciones del capítulo Mantenimiento del filtro de aire.</li> <li>3. Llamar a un Centro de Asistencia Autorizado para regular el carburador.</li> </ol>
El motor arranca, gira y acelera, pero no mantiene el mínimo.	Es necesario regular el carburador.	Regular el tornillo del mínimo "T" (Fig. 30) en sentido horario para aumentar la velocidad; consultar el capítulo Mantenimiento del carburador.
La barra y la cadena se calientan y emiten humo durante el funcionamiento	<ol style="list-style-type: none"> <li>1. Depósito de aceite de la cadena vacío</li> <li>2. Cadena demasiado tensa</li> <li>3. Malfuncionamiento del sistema de lubricación</li> </ol>	<ol style="list-style-type: none"> <li>1. El depósito de aceite se debe llenar cada vez que se llene el depósito de combustible.</li> <li>2. Tensado de la cadena; ver las instrucciones en el capítulo Montaje de la barra y la cadena (Pág. 43).</li> <li>3. Hacer funcionar a pleno régimen 15-30 segundos. Detener y comprobar que el aceite gotee desde la punta de la barra. Si hay aceite, el malfuncionamiento puede deberse a que la cadena está floja o la barra está dañada. Si no hay aceite, contactar con un Centro de Asistencia Autorizado</li> </ol>
El motor arranca y funciona, pero la cadena no gira	<ol style="list-style-type: none"> <li>1. Freno cadena activado</li> <li>2. Cadena demasiado tensa</li> <li>3. Ensamblaje barra y cadena</li> <li>4. Cadena y/o barra dañadas</li> <li>5. Embrague y/o piñón dañados</li> </ol>	<ol style="list-style-type: none"> <li>1. Desactivar el freno de la cadena; ver el capítulo Uso – Freno cadena (Pág. 47)</li> <li>2. Tensado de la cadena; ver las instrucciones en el capítulo Montaje de la barra y la cadena (Pág. 43)</li> <li>3. Ver las instrucciones en el capítulo Montaje de la barra y la cadena (Pág. 43)</li> <li>4. Ver las instrucciones en el capítulo Mantenimiento barra y/o cadena (Pág. 49)</li> <li>5. Sustituir si es necesario; contactar con un Centro de Asistencia Autorizado</li> </ol>



**ATENCIÓN: no tocar nunca la cadena cuando el motor esté en funcionamiento**

## ПЕРЕВОД ОРИГИНАЛЬНОЙ ИНСТРУКЦИИ

### Вниманию уважаемых клиентов

Благодарим вас за выбор продукции Емак. Наша сеть дилерских и авторизованных сервисных центров находится в вашем полном распоряжении и готова удовлетворить любые ваши запросы.

### ВВЕДЕНИЕ

Для правильного использования машины и для предотвращения несчастных случаев перед началом работы очень внимательно прочтите данное руководство. Здесь даются пояснения по работе различных узлов машины, а также указания по требуемым проверкам и техобслуживанию.

**Примечание. Описания и иллюстрации, приведенные в данном руководстве, не считаются строго обязывающими. Фирма-изготовитель оставляет за собой право вносить изменения в конструкцию машины без обязательств обновления этого руководства.**

Кроме указаний по эксплуатации и техническому обслуживанию, данное руководство содержит информацию, требующую особого внимания. Такая информация отмечена символами, описанными ниже:

**ВНИМАНИЕ:** относится к случаям, когда существует риск несчастных случаев, в том числе с летальным исходом, или телесных повреждений или серьезного ущерба имуществу.

**ОСТОРОЖНО:** относится к случаям, когда существует риск повреждения устройства или его составных частей.

#### ВНИМАНИЕ

#### РИСК ПОВРЕЖДЕНИЯ СЛУХА

ПРИ НОРМАЛЬНЫХ РАБОЧИХ УСЛОВИЯХ ПОЛЬЗОВАТЕЛЬ ЭТОЙ МАШИНЫ ПОДВЕРГАЕТСЯ ЕЖЕДНЕВНОМУ УРОВНЮ ШУМА, РАВНОМУ ИЛИ ПРЕВЫШАЮЩЕМУ 85 дБ (А)

## СОДЕРЖАНИЕ

1. ЗНАЧЕНИЕ ПРЕДУПРЕДИТЕЛЬНЫХ СИМВОЛОВ И ПРАВИЛА БЕЗОПАСНОСТИ	58
2. СОСТАВНЫЕ ЧАСТИ ЭЛЕКТРОПИЛЫ	58
3. МЕРЫ ПРЕДОСТОРОЖНОСТИ	59
4. МОНТАЖ ШИНЫ И ЦЕПИ	60
5. ПУСК	61

6. ОСТАНОВКА ДВИГАТЕЛЯ	63
7. ПРАВИЛА ПОЛЬЗОВАНИЯ	64
8. ОБСЛУЖИВАНИЕ	66
9. ХРАНЕНИЕ	69
10. ТЕХНИЧЕСКИЕ ХАРАКТЕРИСТИКИ	70
11. ЗАЯВЛЕНИЕ О СООТВЕТСТВИИ	72
12. ГАРАНТИЙНЫЙ СЕРТИФИКАТ	73
13. ПОИСК И УСТРАНЕНИЕ НЕИСПРАВНОСТЕЙ	74

## 1. ОБЪЯСНЕНИЕ СИМВОЛОВ И ПРАВИЛА БЕЗОПАСНОСТИ (Рис.1)

1. Перед использованием пилы ознакомьтесь с инструкцией по эксплуатации и техобслуживанию
2. Надевайте защитные очки, каску и наушники
3. Тип машины: **ЦЕПНАЯ ПИЛА**
4. Гарантированный уровень акустической мощности
5. Серийный номер
6. Марка соответствия требованиям CE
7. Год выпуска
8. Кнопка подсасывающего насоса
9. Цепной тормоз, активируется (справа). Цепной тормоз, не активирован (слева).
10. **ВНИМАНИЕ!** Поверхности могут быть горячими.

## 2. ДЕТАЛИ ЦЕПНОЙ ПИЛЫ (Рис.2)

1. Рычаг управления стартером
2. Рычаг акселератора
3. Рычаг остановки акселератора
4. Винты регулировки карбюратора
5. Рычаг инерционного тормоза
6. Глушитель
7. Цепь
8. Шина
9. Крышка воздушного фильтра
10. Выключатель массы
11. Крышка лючка топливного бака
12. Ручка стартера
13. Крышка лючка масляного бака
14. Кнопка подсасывающего насоса
15. Винт бокового натяжителя цепи
16. Передняя рукоятка
17. Задняя рукоятка
18. Ограждение шины

### 3. МЕРЫ ПРЕДОСТОРОЖНОСТИ

**⚠ ВНИМАНИЕ** - Цепная пила при правильном использовании – это быстрый, удобный и эффективный инструмент, однако при неверном использовании или при несоблюдении должных мер предосторожности она может явиться источником опасности. Для того, чтобы Ваша работа всегда была приятной и безопасной, строго соблюдайте приведенные ниже и в других местах настоящей инструкции.

**⚠ ВНИМАНИЕ!** При включении вашей машины создается электромагнитное поле с очень малой напряженностью. Это поле может создать помехи для работы некоторых кардиостимуляторов. Во избежание риска серьезных или даже летальных последствий лица с вживленными кардиостимуляторами должны проконсультироваться со своим врачом и изготовителем кардиостимулятора перед тем, как приступить к эксплуатации машины.

**⚠ ВНИМАНИЕ!** - Использование машины может регламентироваться национальным законодательством

1. Используйте цепную пилу только после внимательного изучения правил ее эксплуатации. Не имеющий опыта пользователь должен потренироваться в работе с машиной перед тем, как приступить к ее практическому применению.
2. Цепную пилу могут использовать только взрослые, знакомые с правилами ее эксплуатации и находящиеся в хорошей физической форме.
3. Никогда не пользуйтесь цепной пилой, если Вы сильно устали или находитесь под влиянием алкоголя, наркотиков или лекарственных средств.
4. Никогда не надевайте шарфов, браслетов или других вещей, которые могут быть захвачены пилой или цепью. Надевайте защищающую от порезов одежду, которая хорошо прилегает к телу.
5. Работая с цепной пилой, надевайте нескользящую обувь, перчатки или рукавицы, защитные очки, наушники и каску.
6. Не допускайте, чтобы в радиусе действия цепной пилы во время ее запуска или пилки находились другие лица.

7. Не начинайте работу до тех пор, пока не освободите место работы. Не пользуйтесь пилой вблизи электрических кабелей.
8. Всегда пилите, находясь в устойчивом и безопасном положении.
9. Цепной пилой можно пользоваться только в хорошо проветриваемых местах, нельзя пользоваться в атмосфере насыщенной горючими или взрывоопасными парами или в закрытых помещениях.
10. Нельзя дотрагиваться цепи или проводить техобслуживание пилы при включенном двигателе
11. К валу отбору мощности цепной пилы разрешается подсоединять только поставленные производителем приспособления.
12. Сохраняйте в целости все этикетки с предохранительными символами или указаниями по безопасности. В случае повреждения или износа их следует немедленно заменить (Рис.1).
13. Не используйте машину по назначению, отличному от указанного в настоящем руководстве (стр. 64).
14. Не оставляйте без присмотра машину с включенным двигателем.
15. Ежедневно проверяйте, чтобы все части пилы и защитные приспособления работали надлежащим образом.
16. Всегда придерживайтесь наших указаний по проведению техобслуживания.
17. Нельзя использовать неисправную, неправильно отремонтированную или неправильно установленную цепь или производить несанкционированные изменения в ее конструкции. Нельзя снимать, отключать или выводить из строя любые защитные устройства. Используйте шины только той длины, которая приведена в таблице.
18. Не ремонтируйте цепную пилу самостоятельно и не проводите самостоятельно иных работ, выходящих за рамки текущего техобслуживания. Обращайтесь только в специализированные и авторизованные сервисные центры.
19. Нельзя запускать пилу без защитного щитка цепи.
20. При необходимости выведения цепной пилы из эксплуатации не бросайте ее, а сдайте своему дилеру, который произведет ее правильную утилизацию.
21. Передавайте цепную пилу только тем лицам, которые умеют пользоваться пилой и знакомы с правилами ее эксплуатации. Передавать цепную пилу другим лицам

следует только вместе с инструкцией, с которой следует ознакомиться перед началом работы.

22. Всегда обращайтесь к своему дилеру для получения прочих разъяснений или при необходимости выполнения каких-либо операций.
23. Тщательно сохраняйте настоящую инструкцию и консультируйтесь с ней перед каждым использованием пилы.
24. Не забывайте, что владелец или оператор изделия несет ответственность за несчастные случаи или создание опасных ситуаций для третьих лиц или их собственности.

## ЗАЩИТНАЯ ОДЕЖДА

**⚠** Большая часть несчастных случаев при использовании бензопилы происходит, когда цепь задевает оператора. **При работе с цепной пилой всегда надевайте сертифицированную защитную одежду.** Применение защитной одежды не устраняет риск получения травмы, но уменьшает возможные последствия несчастного случая. При выборе защитной одежды руководствуйтесь рекомендациями Вашего доверенного дилера.

Одежда должна быть удобной и не мешать при работе. Надевайте прилегающую к телу и защищающую от порезов одежду. **Защищающие от порезов куртка, комбинезон и гетры являются идеальным решением.** Не надевайте костюмы, шарфы, галстуки или цепочки, которые могут зацепиться за бревна или за ветки. Соберите в пучок длинные волосы и спрячьте их (например под платок, шапку, каску и т.д.).

**Надевайте защитные ботинки или сапоги, имеющие противоскользящие подошвы и стальные наконечники.**

**Надевайте защитный шлем** в местах, в которых возможно падение предметов.

**Всегда надевайте защитные очки или козырек!**

**Используйте приспособления для защиты органов слуха, например, наушники или затычки.** Применение приспособлений для защиты органов слуха требует особого внимания и осторожности, так как при этом ограничивается способность воспринимать звуковые сигналы об опасности (крики, сигналы предупреждения и т.д.).

**Надевайте защищающие от порезов перчатки.**

## 4. МОНТАЖ ШИНЫ И ЦЕПИ

**⚠ ВНИМАНИЕ! Работы по монтажу всегда следует выполнять в перчатках. Используйте только шину и цепь, рекомендованные изготовителем (стр. 70).**

- Притянуть щиток безопасности (рис. 3) к передней ручке, чтобы проверить, не включен ли тормоз цепи.
- Снять гайки (А) и крышку цепи (В, рис. 4).
- Удалите картонную прокладку, надетую на шпильки (С, Рис.5).
- Задвинуть собачку натяжителя цепи (D, Рис. 6) до упора, полностью вывинтив винт натяжителя.
- Надеть шину (F, Рис. 5) на посадочные шпильки (N).
- Наденьте цепь (H) на звездочку (E) и на направляющую шины (M, рис. 6). Обратите внимание на направление вращения цепи (рис. 8).
- Приложите защитный щиток цепи, вставив его в соответствующее гнездо, и, держа его прижатым к шине, закрутите винт натяжителя (L, Рис. 7), так, чтобы собачка (D, Рис. 5) вошла в отверстие (G) шины.
- Установите защитный щиток цепи и соответствующие гайки, не затягивая их.
- Натяните цепь при помощи натяжителя цепи (L, рис. 7).
- Приподняв шину за конец, хорошо затяните гайки (рис. 9). Момент затяжки 1,5 кгм (15 Нм). Цепь должна быть натянута, но свободно проворачиваться рукой (рис. 10).
- Цепь натянута правильно, если, потянув вверх, ее можно приподнять на несколько миллиметров (рис. 10).

**⚠ ВНИМАНИЕ! Всегда поддерживайте надлежащее натяжение цепи.**

При слишком слабом натяжении цепи увеличивается риск отскока и выхода цепи из паза в шине; такие ситуации могут привести к травме оператора и повреждению цепи. Слишком слабое натяжение цепи приводит к износу самой цепи, шины и звездочки. И наоборот, слишком сильно натянута цепь приводит к перегрузке двигателя с возможностью его выхода из строя. **Правильное натяжение цепи обеспечивает наилучшее качество пиления, а также безопасность эксплуатации и увеличение срока службы самой цепи.** Срок службы цепи зависит от правильности натяжения и смазки.

## 5. ПУСК

### ТОПЛИВО

**⚠ ВНИМАНИЕ!** Бензин является чрезвычайно огнеопасным видом топлива. При обращении с бензином или топливной смесью будьте максимально осторожны. Не курить и не подносить огонь к топливу или бензопиле.

- Для снижения опасности возгорания и получения ожогов будьте осторожны при обращении с топливом. Оно является чрезвычайно огнеопасным.
- Размешивайте и храните топливо в специальной канистре.
- Смешивайте топливо на открытом воздухе – на участке, на котором отсутствуют искры или пламя.
- Перед заправкой опустите машину на землю и заглушите двигатель.
- Медленно открутите крышку заливочной горловины для снятия давления и во избежание утечек топлива.
- После заправки плотно закрутите крышку. Вибрации могут привести к ослаблению крышки и к утечке топлива.
- Вытрите пролившееся топливо. Перед тем как приступить к запуску двигателя, отнесите машину на расстояние не менее 3 м от места заправки.
- Ни при каких обстоятельствах не пытайтесь поджигать пролившееся топливо.
- Не курить во время работы с топливом или бензопилой.
- Храните топливо в сухом, прохладном и хорошо вентилируемом месте.
- Не храните топливо рядом с сухими листьями, соломой, бумагой и т.д.
- Держите машину и топливо в таких местах, в которых исключена возможность контакта топливных паров с искрами или открытым пламенем, бойлерами, электромоторами, выключателями, печами и т.д.
- Не снимайте крышку заправочной горловины при работающем двигателе.
- Не используйте топливо для чистки.
- Будьте осторожны и не допускайте попадания топлива на свою одежду.



Данная машина приводится в действие 2-тактным двигателем и подлежит заправке предварительно приготовленной бензино-масляной смесью для 2-тактных двигателей. Предварительно смешайте неэтилированный бензин с маслом для двухтактных двигателей в чистой емкости, пригодной для хранения бензина.

**РЕКОМЕНДУЕМОЕ ТОПЛИВО:** ДАННЫЙ ДВИГАТЕЛЬ СЕРТИФИЦИРОВАН ДЛЯ РАБОТЫ С НЕЭТИЛИРОВАННЫМ БЕНЗИНОМ ДЛЯ АВТОТРАНСПОРТНЫХ СРЕДСТВ С ОКТАНОВЫМ ЧИСЛОМ  $89 ((R + M) / 2)$  ИЛИ БОЛЬШИМ.

Смешивайте бензин с маслом для двухтактных двигателей в соответствии с указаниями, приведенными на таре.

Мы рекомендуем использовать масло для 2-тактных двигателей Oleo-Mac/Efco в концентрации **2% (1:50)**, специально разработанное для всех двухтактных двигателей с воздушным охлаждением.

Соотношения масла/бензина, приведенные в следующей таблице, являются верными при использовании масла Oleo-Mac/Efco **PROSINT 2** или **EUROSINT 2** или эквивалентного ему высококачественного масла (удовлетворяющего стандарту **JASO FD** или **ISO L-EGD**).

БЕНЗИН	МАСЛО	
		
	2% - 50:1	
ℓ	ℓ	(cm <sup>3</sup> )
1	0,02	(20)
5	0,10	(100)
10	0,20	(200)
15	0,30	(300)
20	0,40	(400)
25	0,50	(500)

**⚠ ВНИМАНИЕ!** НЕ ИСПОЛЬЗУЙТЕ МАСЛО ДЛЯ АВТОМОБИЛЕЙ ИЛИ МАСЛО ДЛЯ ЗАБОРТНЫХ ДВУХТАКТНЫХ ДВИГАТЕЛЕЙ

**⚠ ВНИМАНИЕ!**

- Приобретайте топливо исключительно в количествах, соответствующих вашему объему потребления; не приобретайте больше топлива, чем вы расходуете в течение одного-двух месяцев;
- Храните бензин в герметичной емкости в сухом и прохладном месте.

**⚠ ВНИМАНИЕ!** Никогда не используйте для топливной смеси топливо с содержанием этанола больше 10%; допускается использовать газохол (смесь бензина с этанолом) с содержанием этанола до 10% или топливо E10.

**ПРИМЕЧАНИЕ** - Готовьте только необходимое для работы количество смеси; не оставляйте

готовую смесь в баке машины или в канистре на долгое время. Рекомендуется использовать стабилизирующую присадку для топлива **Emak ADDITIX 2000** код 001000972, позволяющую хранить топливную смесь в течение 12 месяцев.

### Алкилированный бензин

**⚠ ВНИМАНИЕ!** Плотность алкилированного бензина отлична от плотности обычного бензина. Поэтому на двигателях, отрегулированных для работы с обычным бензином, может потребоваться изменение регулировки винта Н. Для выполнения этой операции следует обращаться в авторизованный сервисный центр.

### ЗАПРАВКА ТОПЛИВНОЙ СМЕСЬЮ

Перед заправкой взболтайте канистру со смесью.

**⚠ ВНИМАНИЕ!** При обращении с топливом соблюдайте установленные правила техники безопасности. Перед заправкой выключайте двигатель. Никогда не выполняйте заправку бака машины при еще горячем или работающем двигателе. Перед тем как запускать двигатель, отойдите не менее, чем на 3 м от места выполнения заправки. **НЕ КУРИТЕ!**

1. Во избежание засорений прочистите поверхность вокруг заливочной горловины.
2. Медленно отвинтите крышку заливочной горловины.
3. Осторожно залейте в бак бензино-масляную смесь. Не допускайте проливания топлива.
4. Перед тем как устанавливать на место крышку заливочной горловины, прочистите прокладку и проверьте ее состояние.
5. Сразу же после заправки установите на место крышку заливочной горловины и закрутите ее вручную. В случае пролива топлива вытрите его.

**⚠ ВНИМАНИЕ!** Проверяйте, нет ли утечек топлива из машины, и в случае обнаружения таковых устраняйте их перед тем, как приступать к работе. При необходимости обращайтесь в авторизованный сервисный центр.

### ЗАПРАВКА МАСЛОМ И СМАЗКА ЦЕПИ

Автоматический насос обеспечивает цепь смазочным маслом. Этот насос не нуждается в техобслуживании и настроен на заводе для

подачи требуемого количества масла даже при тяжелых условиях работы. При резке тонкой древесины любые утечки масла каплями считаются нормальными.

- Перед каждой заправкой (13, Рис. 2) очистите поверхность вокруг пробки с целью предотвращения попадания примесей в бак.
- Во время работы визуально проверяйте уровень имеющегося в баке масла.
- После доливки заводите двигатель 2-3 раза на холостом ходу для восстановления правильной подачи масла. Эта операция позволяет насосу восстанавливать требуемую подачу масла.
- В случае неисправности не примите никаких мер, а обратитесь к продавцу или в уполномоченную мастерскую.

Правильная смазка цепи при резке сводит к минимуму износ самой цепи и полотна, что увеличивает их срок службы. Всегда используйте высококачественное масло.

**⚠ ВНИМАНИЕ - Нельзя использовать регенерированное масло!**

Всегда используйте биологически разлагающееся смазочное масло (eco-lube Oleo-Mac/Efco), специфически предназначенное для полотен и цепей, в целях охраны природы и обеспечения длительного срока службы деталей электропилы.

**⚠ Перед запуском проверьте, чтобы цепь не касалась посторонних предметов.**

**⚠ Когда цепная пила работает, следует твердо держать переднюю ручку левой рукой, а заднюю рукоятку правой рукой (Рис. 11).**

- Не тянитесь и не пилите на высоте выше уровня плеч; если электропила удерживается слишком высоко, может оказаться сложно контролировать воздействие касательных сил (отскоки).
- Не допускайте соприкосновения с цепью и глушителем.
- Левши также должны соблюдать эти указания. При работе сохраняйте правильное положение.

**⚠ Воздействие вибрации может вызвать проблемы со здоровьем у людей с нарушенным кровообращением или с заболеваниями нервной системы.**

**Обратитесь за медицинской помощью, если у Вас возникли такие симптомы, как онемение, потеря чувствительности, упадок сил или изменение цвета кожи. Как правило, эти симптомы возникают в пальцах, руках или запястьях.**

#### **Двигатель залит топливом**

- Установите переключатель в положение **СТОП (STOP)** (В, Рис. 13).
- Открутите винт крышки (А, Рис. 27).
- Снимите крышку.
- Снимите колпак свечи.
- Отвинтите и снимите свечу зажигания.
- Широко откройте дроссельную заслонку.
- Несколько раз дерните за шнур стартера, чтобы очистить камеру сгорания.
- Установите на место свечу зажигания, установите колпак и **сильно** нажмите на него – затем установите на место остальные детали.
- Установите рычаг воздушной заслонки в положение "Открыто" (OPEN), даже если двигатель еще не прогрет.
- Теперь запустите двигатель.

**⚠ ВНИМАНИЕ** – Не запускайте мотопилу при отсутствии шины, цепи и картера сцепления (тормоза цепи) – может **ослабнуть** и вызвать **физический** вред.

#### **ЗАПУСК ДВИГАТЕЛЯ**

**При запуске цепной пилы должен быть включен тормоз цепи. Для включения тормоза цепи, потяните рычаг тормоза цепи / щиток руки вперед (в направлении шины), в положение включения тормоза (Рис. 12).**

Заполните карбюратор, нажав несколько раз на кнопку подсасывающего насоса (А) (рис. 14). Опустите рычаг управления (В, Рис.14А) вниз до упора (1). Положите цепную пилу на землю в устойчивом положении. Проверьте, чтобы цепь свободно вращалась и не задевала посторонние предметы. Перед запуском двигателя убедитесь, что цепная пила не соприкасается ни с какими предметами. Ни в коем случае не пытайтесь запустить цепную пилу, если ее шина находится в распиливаемом материале. Держите переднюю ручку левой рукой, и вставьте правую ногу в основание задней ручки (рис. 15). Дерните за пусковой шнур несколько раз до первого запуска двигателя. Установите рычаг управления (В, Рис.14В) в среднее положение (2). Произведите запуск, дергая за пусковой шнур. Когда двигатель заведется, освободите тормоз цепи и **подождите несколько секунд**. Затем нажмите на

рычаг акселератора (С, Рис. 13) для того для разблокировки устройства автоматического "полугаза".

**⚠ ВНИМАНИЕ:** Если двигатель прогрет, не используйте стартер для запуска.

**⚠ ВНИМАНИЕ:** Положение акселератора "полугаз" следует использовать только в момент запуска двигателя.

#### **ОБКАТКА ДВИГАТЕЛЯ**

Двигатель достигает своей максимальной мощности после 5÷8 часов работы. Во время этого периода обкатки не пользуйтесь пилой на максимальных оборотах двигателя во избежание чрезмерных нагрузок.

**⚠ ВНИМАНИЕ!** – Во время обкатки не изменяйте карбюрацию с целью достижения большей мощности; это может привести к выходу двигателя из строя.

**ПРИМЕЧАНИЕ:** испускание дыма новым двигателем при его первом использовании и после него является нормальным явлением.

#### **ОБКАТКА ЦЕПИ**

Регулировка натяжения производится только на остывшей цепи. Сначала проверните цепь вручную и дополнительно смажьте ее. Затем запустите пилу и дайте ей поработать на средних оборотах, следя за тем, чтобы масляный насос работал правильно. Остановите двигатель и отрегулируйте натяжение цепи. Снова запустите пилу и сделайте несколько распилов. Снова остановите двигатель и еще раз проверьте натяжение. Повторяйте эту операцию, пока цепь не растянется до максимума. Не касайтесь цепью земли.

**⚠ ВНИМАНИЕ - Никогда не касайтесь цепи при работающем двигателе. Не касайтесь цепью земли.**

#### **6. ОСТАНОВКА ДВИГАТЕЛЯ**

Отпустите рычаг акселератора (С, рис. 12), сведя число оборотов двигателя к минимуму. Выключите двигатель, подняв ручку стартера (В, рис.13) вверх до упора (3).

**⚠ Не положите электропилу на землю при еще вращающейся цепи.**

## 7. ПРАВИЛА ПОЛЬЗОВАНИЯ

Вдыхание выхлопных газов двигателя, масляного тумана, используемого для смазки цепи, и древесной пыли, образующейся при пилении, на протяжении продолжительного времени может быть опасным для здоровья.

### СИСТЕМА ПРОТИВ ЗАМЕРЗАНИЯ

При температурах, меньших 0°C, установите курсор (А, Рис.33) в зимнее положение. В этом случае кроме холодного воздуха засасывается также теплый воздух, идущий из цилиндра и внутри карбюратора не образуется лед.

При температурах выше +10°C установите курсор (А, Рис.34) в летнее положение. В противном случае двигатель может перегреться и выйти из строя.

### ТОРМОЗ ЦЕПИ

Инерционный тормоз цепи обеспечивает максимальную безопасность при использовании цепной пилы. Он защищает оператора от возможной отдачи, которая может случиться во время работы. Он приводится в действие с последующей мгновенной блокировкой цепи в случае, когда оператор нажимает на рычаг (ручное управление) или автоматически, в результате действия инерции, когда защитный щиток сдвигается вперед (Рис. 16) при неожиданной отдаче (инерционное управление).

Тормоз цепи можно освободить, потянув рычаг по направлению к оператору (Рис. 3).

### КОНТРОЛЬ РАБОТЫ ТОРМОЗА

При проведении контроля машины прежде чем выполнить любую операцию, проверьте работу тормоза следующим образом:

1. Запустите двигатель и прочно держите ручки обеими руками.
2. Толкните рукоятку тормоза вперед тыльной стороной левой руки (Рис. 11).
3. Если тормоз сработал, то цепь должна мгновенно остановиться. Отпустите пусковой рычаг.
4. Освободите тормоз (Рис. 3).

### ТЕХНИЧЕСКОЕ ОБСЛУЖИВАНИЕ ТОРМОЗА:

всегда содержите механизм тормоза в чистоте и смазывайте рычажный механизм. Следите за износом ленты тормоза. Ее минимальная толщина должна быть **0.30 mm**.

## ПРОДУКТЫ, ЗАПРЕЩЕННЫЕ К ПРИМЕНЕНИЮ

**⚠ ВНИМАНИЕ** - Всегда придерживайтесь инструкций по безопасности. Данная цепная пила разработана и изготовлена для обрезки веток и подстрижки деревьев и кустов. Запрещается пилить другие материалы. Другие материалы имеют иные упругость и отдачу и, поэтому при работе с ними безопасность не может быть обеспечена. Цепную пилу нельзя применять как рычаг для поднятия или перемещение предметов, а также для раскалывания предметов. Нельзя останавливать цепь о неподвижную опору. Запрещено использовать приспособления и инструменты отличные от указанных производителем.

## МЕРЫ ПРЕДОСТОРОЖНОСТИ В ОТНОШЕНИИ РАБОЧЕЙ ЗОНЫ

- Не работайте вблизи электропроводов.
- Работайте только в условиях хорошей видимости и освещения.
- Выключайте двигатель перед тем, как опускать бензопла на землю.
- Будьте особо внимательны при использовании средств индивидуальной защиты, т.к. такие средства могут ограничивать вашу способность слышать предупреждающие звуковые сигналы (крики, гудки и т.д.).
- Будьте максимально осторожны при работе на наклонных или неровных участках.
- Не пилите на высоте выше уровня плеч; удерживая цепную пилу слишком высоко, может оказаться сложно контролировать воздействие касательных сил (отскоки шины).
- **Не пилите, стоя на лестнице, поскольку это чрезвычайно опасно.**
- Остановите цепную пилу, если цепь ударяется о посторонний предмет. Проверьте бензопилу и в случае необходимости отремонтируйте поврежденные детали. Обследуйте машину также в случае ее случайного падения.
- Следите за тем, чтобы на цепи не было грязи и песка. Даже небольшое количество грязи быстро снижает режущую способность цепи и увеличивает риск отскока шины.
- Следите, чтобы рукоятки были сухими и чистыми.
- При пилении бревен под нагрузкой берегитесь отдачи, чтобы не оказаться под



ударом, когда волокна древесины освободятся.

- Будьте крайне осторожны при пилении мелких ветвей или кустов, которые могут блокировать цепь или отбросить вас назад и заставить потерять равновесие.

## ПРАВИЛА ПОЛЬЗОВАНИЯ

**⚠ ВНИМАНИЕ - Валка деревьев является операцией, требующей опыта. Не пытайтесь повалить дерево, если у Вас отсутствует необходимый опыт. НЕ ВЫПОЛНЯЙТЕ РАБОТУ, ЕСЛИ ВЫ ЧУВСТВУЕТЕ, ЧТО ВАШЕЙ КВАЛИФИКАЦИИ ДЛЯ ЭТОГО НЕДОСТАТОЧНО! Неопытным пользователям рекомендуется воздержаться от валки деревьев, диаметр ствола которых больше длины шины. Если вы пользуетесь пилой впервые, сделайте несколько пропилов на устойчивом стволе для того, чтобы приобрести навыки работы. Включайте полный газ, когда работаете пилой. Нельзя налегать на пилу во время распиливания – собственного веса пилы достаточно для того, чтобы она пилила без приложения дополнительных усилий.**

**⚠ ВНИМАНИЕ - Не работайте цепной пилой на валке деревьев при плохой погоде, при плохой видимости или при очень высоких или низких температурах. Перед работой обязательно проверьте дерево, чтобы на нем не было сухих веток, которые могут упасть во время работы.**

## ВАЛКА ДЕРЕВЬЕВ

При валке и распиливании деревьев используйте в качестве опоры имеющийся крюк. Осмотрите дерево и окрестную область перед началом пиления. Очистите рабочее место от мешающих предметов. Приготовьте себе широкие возможности для возможного отхода во время падения дерева (Рис. 17). Срежьте все ветви внизу дерева на высоте до 2 м. Сделайте горизонтальный пропил с той стороны дерева, на которую оно будет падать. Глубина этого пропила не должна превышать 1/4 диаметра ствола (1 - Рис. 18). Примерно на 10 см выше сделайте в стволе пропил, соединив его с первым, так чтобы можно было извлечь из древа клин. В этом направлении дерево будет падать (2 - Рис. 18). Затем сделайте основной пропил на противоположной стороне дерева. Начинайте пилить примерно на 4-5 см выше центра первого пропила (3 - Рис. 18).

Никогда не пропиливайте дерево полностью, всегда оставляйте не распиленной середину (А, Рис. 19-24), это позволит вам управлять направлением падения дерева. Вставьте в основной пропил клин до начала падения дерева для того, чтобы дерево не зажало шину цепной пилы.

Если диаметр дерева больше длины шины пилы, сделайте основной пропил так, как показано на Рис. 19.

## ОБРЕЗКА ВЕТОК

- а) Всегда начинайте с того места, где ствол наибольшего диаметра и двигайтесь по направлению к вершине дерева, срезая все сучья и более мелкие ветки.
- б) При начале работы займите наиболее устойчивую и безопасную позицию до того, как запустите пилу. Если понадобится, можно опереться коленом о дерево.
- в) При обрезке веток держите пилу так, чтобы уставать как можно меньше, и поворачивайте ее вправо или влево, в зависимости от расположения обрезаемой ветки (рис. 20).
- д) В случае, если ветки находятся под нагрузкой, займите безопасное положение, чтобы не попасть под удар, если они распрямятся. Всегда пилите со стороны противоположной изгибу.
- е) Выполняя обрезку веток большого диаметра, пользуйтесь лапой.

**⚠ ВНИМАНИЕ - Нельзя использовать для пиления верхний край кончика шины, особенно для обрезки веток. В противном случае вы можете попасть под отдачу.**

## РАСКРЯЖЕВКА СУЧЬЕВ

Перед началом распиловки бревна посмотрите, каким образом оно лежит на земле; это позволит Вам правильно вести ее, не допуская, чтобы шина оказалась зажатой в бревне.

- а) Вначале сделайте распил сверху, примерно на 1/4 диаметра (1 - Рис. 21). Завершите распил снизу (2 - Рис. 21). В этом случае получится идеальный распил и шина не окажется зажатой в бревне.
- б) Вначале сделайте распил снизу, примерно на 1/4 диаметра (1 - Рис. 22). Завершите распил сверху (2 - Рис. 22)

**⚠ ВНИМАНИЕ - Если цепь зажала, выключите двигатель, поднимите бревно и измените его положение (Рис. 23). Ни в коем случае не пытайтесь освободить цепь, дергая за ручку пилы.**

## 8. ОБСЛУЖИВАНИЕ

**⚠ ВНИМАНИЕ - Проводя техническое обслуживание, всегда надевайте защитные перчатки. Не проводите каких-либо операций, пока двигатель не остыл.**

**⚠ ВНИМАНИЕ - Невыполнение указаний по заточке приводит к существенному увеличению риска обратного удара.**

### ЗАТОЧКА ЦЕПИ

Шаг цепи (Рис. 25) составляет 3/8".

Затачивать цепь следует круглым напильником диаметром 4,0 мм (5/32") обязательно надев защитные перчатки.

Всегда затачивайте зубья только движением напильника наружу), соблюдая размеры, показанные на рис. 25.

После заточки все режущие кромки должны иметь одинаковые ширину и длину.

**⚠ ВНИМАНИЕ – Цепь следует затачивать каждый раз, когда Вы увидите, что она начинает давать мелкие опилки.**

После каждых 3-4 заточек следует контролировать и при необходимости стачивать ограничитель глубины, пользуясь для этого плоским напильником и специальным напильником, поставляемым в качестве опции, после чего следует скруглить передний угол (Рис. 26).

**⚠ ВНИМАНИЕ – Правильная регулировка ограничителя глубины столь же важна, как и правильная заточка цепи.**

### ШИНА

Направляющую шину, с расположенной на конце звездочкой, следует смазывать, используя шприц-масленку.

Шину следует переворачивать каждые 8 часов работы, чтобы обеспечить равномерный износ.

Следите за чистотой паза шины и смазочного отверстия, прочищайте их специальным скребком, поставляемым в качестве опции.

Проверяйте, чтобы направляющие шины были параллельными и, при необходимости, удаляйте боковые заусенцы плоским напильником.

Перевернув шину, проверьте, чтобы смазочные отверстия были свободны от загрязнений.

**⚠ ВНИМАНИЕ: Никогда не надевайте новую цепь на изношенную звездочку.**

**ВОЗДУШНЫЙ ФИЛЬТР** – Поворачивая ручку (А, Рис. 27) ежедневно проверяйте состояние воздушного фильтра (В). Откройте крышку фильтра (В), нажав в разные стороны на два язычка (Е, Рис.27). Прочистите обезжиривающим средством Emax, код 001101009А, промойте водой и продуйте с некоторого расстояния сжатым воздухом в направлении изнутри наружу. Заменяйте фильтр, если он сильно засорен или поврежден.

**⚠ ВНИМАНИЕ!** – При установке на место фильтра (В), правильно вставьте его в соответствующее гнездо.

**ТОПЛИВНЫЙ ФИЛЬТР** – Периодически проверяйте состояние топливного фильтра. Если он окажется слишком грязным, замените его (Рис. 28).

**МАСЛЯНЫЙ НАСОС (автоматический регулируемый)** - Регулировка расхода выполнена на заводе изготовителе. Расход масла может быть по необходимости изменен оператором с помощью регулировочного винта (Рис. 32). Расход масла производится только, когда цепь движется.

**⚠ ВНИМАНИЕ - Ни в коем случае нельзя использовать отработанное масло.**

**СТАРТЕР** - Используйте кисточку или сжатый воздух для очистки охлаждающих отверстий стартера.

**ДВИГАТЕЛЬ** - Периодически чистите ребра цилиндра кисточкой или сжатым воздухом. Загрязнение цилиндра может привести к опасному перегреву двигателя.

**СВЕЧА ЗАЖИГАНИЯ** – Рекомендуются регулярно чистить свечу зажигания и проверять зазор между электродами (Рис. 29). Используйте свечу TORCH L8RTF или другой марки с теми же температурными характеристиками.

**ТОРМОЗ ЦЕПИ** - Если тормоз цепи работает неправильно, снимите крышку цепи и прочистите части тормоза. Если лента тормоза изношена или деформирована, замените ее.

Не используйте топливную смесь для чистки.

### КАРБЮРАТОР

Перед регулировкой карбюратора очистите пусковой шнур, воздушный фильтр (Рис. 27) и

прогрейте двигатель.

Винт минимального режима Т регулируется так, чтобы обеспечить устойчивую работу на холостом ходу и при срабатывании сцепления.

**⚠ ВНИМАНИЕ** - При работе двигателя на холостом ходу цепь ни в коем случае не должна вращаться. В случае движения цепи при работе на холостом ходу снизьте скорость двигателя с помощью винта Т. Если неисправность остается, немедленно прервите работу и обратитесь для ее устранения в авторизованный сервисный центр.

**⚠ ВНИМАНИЕ** - На работу карбюратора могут влиять погодные условия и высота над уровнем моря. Не позволяйте, чтобы посторонние лица находились рядом с пилой во время работы или во время регулировки карбюратора.

#### **ТЕХОСМОТР**

Рекомендуется по окончании сезона в случае интенсивной эксплуатации и раз в два года при нормальной эксплуатации обращаться к специалисту по сервисному обслуживанию для проведения полного техосмотра.

**⚠ ВНИМАНИЕ!** - Вс работы по техобслуживанию, н описанны в этом руководств, должны проводиться в авторизованном срвисном центр. Для обеспчнправильной и длительной работы цепных пиц помнит, что при замн дталй и узлов должны использоваться исключительно **ФИРМЕННЫЕ ЗАПЧАСТИ**.

**⚠ Внесение самовольных модификаций или использование неоригинальных принадлежностей может привести к тяжелым и смертельным травмам оператора и третьих лиц.**

#### **ТРАНСПОРТИРОВКА**

Переносить пилу можно только выключив двигатель, развернув ее в сторону от себя и надев чехол на цепь (Рис. 31).

**⚠ ВНИМАНИЕ** - При транспортировке машины на транспортном средстве, убедитесь, что она правильно и надежно закреплена при помощи ремней. Машину следует транспортировать в горизонтальном положении, убедившись, что при этом не нарушаются прочие правила транспортировки соответствующего оборудования.

## ТАБЛИЦА ТЕХОБСЛУЖИВАНИЯ

Обращаем Ваше внимание на то, что указанные интервалы техобслуживания предполагают использование устройства в нормальных рабочих условиях. Если повседневные условия эксплуатации устройства являются более тяжелыми, интервалы между операциями техобслуживания должны быть сокращены соответствующим образом.		Каждый раз перед использованием	После каждой заправки	Каждую неделю	В случае повреждения или неисправности
Вся машина	Проверить: утечки, трещины и износ	X	X		
Проверки: выключатель, стартер, рычаг акселератора и рычаг фиксатора акселератора	Проверить работоспособность	X	X		
Тормоз цепи	Проверить работоспособность	X	X		
	Проверить в авторизованном сервисе				X
Топливный бак и масляный бак	Проверить: утечки, трещины и износ	X	X		
Топливный фильтр	Проверить и очистить			X	
	Заменить фильтрующий элемент				X
Смазка цепи	Проверить эффективность	X	X		
Цепь	Проверить: повреждения, заточка и износ	X	X		
	Проверить натяжение	X	X		
	Заточить: проверить глубину прохода				X
Шина	Проверить: повреждения и износ	X	X		
	Очистить канавку и масляный канал	X			
	Повернуть и смазать цепное колесо и снять заусенцы			X	
	Заменить				X
Зубчатое колесо	Проверить: повреждения и износ			X	
	Заменить				X
Муфта сцепления	Проверить: повреждения и износ			X	
	Заменить				X
Останов цепи	Проверить: повреждения и износ	X	X		
	Заменить				X
Все доступные винты и гайки (за исключением винтов карбюратора)	Проверить и затянуть			X	
Воздушный фильтр	Очистить	X			
	Заменить				X
Оребрение цилиндра и отверстия картера запуска	Очистить			X	
Пусковой шнур	Проверить: повреждения и износ			X	
	Заменить				X
Карбюратор	Проверить холостой режим (цепь не должна вращаться при работе на холостом ходу)	X	X		
Свеча зажигания	Проверить расстояние между электродами			X	
	Заменить				X
Антивибрационная система	Проверить: повреждения и износ			X	

## 9. ХРАНЕНИЕ

Если машина длительное время не будет использоваться, выполните следующие операции:

- Опорожните и очистите топливный и масляный баки в хорошо проветриваемом месте.
- Утилизируйте топливо и масло согласно находящемуся в силе законодательству о защите окружающей среды.
- Чтобы опорожнить карбюратор, запустите двигатель и позвольте ему работать до остановки (в случае если в карбюраторе останется топливная смесь, мембраны могут повредиться).
- Снимите, очистите и распылите защитное масло на цепь и шину.
- Тщательно очистите вентиляционные отверстия на картере узла запуска, воздушный фильтр (Рис. 27) и оребрение цилиндра.
- Храните машину в сухом месте, по возможности, не в прямом контакте с грунтом, вдали от источников тепла и с пустыми баками.
- Процедура ввода в эксплуатацию после периода зимнего хранения идентична той, которая используется при обычном запуске машины (стр. 61).

### ОХРАНА ОКРУЖАЮЩЕЙ СРЕДЫ

Защита окружающей среды должна быть важным и приоритетным аспектом использования машины, для улучшения общества и среды, в которой мы живем.

- Не нарушайте покой окружающих.
- Тщательно следуйте местным правилам в области утилизации упаковочных материалов, масла, бензина, аккумуляторов, фильтров, износившихся деталей или любых веществ, способных оказать сильное воздействие на окружающую среду; эти отходы нельзя выбрасывать в мусорные контейнеры, их необходимо сдать отдельно в специальные центры по приему отходов, которые обеспечат их переработку.

### Слом и утилизация





При выводе машины из эксплуатации, не выбрасывайте ее в окружающую среду, а сдайте в центр по сбору отходов.

Большую часть материалов, из которой изготовлена машина, можно переработать; все металлические части (из стали, алюминия, латуни) можно сдать в пункт приема

металлолома. Для получения дополнительной информации обращайтесь в местную службу по сбору отходов. При утилизации отходов, полученных при выводе машины из эксплуатации, необходимо бережно относиться к охране окружающей среды, избегая загрязнения почвы, воздуха и воды.

**В любом случае необходимо соблюдать действующее местное законодательство.**

## 10. ТЕХНИЧЕСКИЕ ДАННЫЕ

	GSH 40 - MTH 400 - MTH 402	
Объем цилиндра	38.9 см <sup>3</sup>	
Двигатель	2-х тактный	
Мощность	1.7 kW	
Минимальное число оборотов	3.000 min <sup>-1</sup> *	
Максимальное число оборотов	12.800 min <sup>-1</sup> *	
Кнопка подсасывающего насоса	Да	
Винт бокового натяжителя	Да	
Облегченный пуск 	Да	
Число зубцов в шестерне	6	
Вес без шины и цепи	4.5 kg	
Емкость топливного бака  + 	320 (0.32) см <sup>3</sup> (ℓ)	
Емкость бака с маслом для смазывания цепи 	220 (0.22) см <sup>3</sup> (ℓ)	
Скорость цепи при 133% от макс. мощности двигателя	21,5 m/s	
<b>* Число оборотов на холостом ходу с шиной и цепью</b>		

Рекомендуемые комбинации шин и цепей	GSH 40 - MTH 400 - MTH 402	
Шаг и толщина цепи	3/8" x .050"	
Длина шины	14" (35 cm)	16" (41 cm)
Типовая шина	140SDEA041	160SDEA041
Типовая цепь	91 P	
Глубина пропила	310 mm	370 mm



### ВНИМАНИЕ!!!

**Опасность отскока увеличивается в случае неправильной комбинации шины и цепи! Используйте только рекомендуемые комбинации шин и цепи и следуйте указаниям по затачиванию.**

			GSH 40 - MTH 400 - MTH 402	
Уровень звукового давления	<b>dB (A)</b>	$L_{pA}$ EN 11681-1 EN 22868	<b>103,2</b>	*
Погрешность	<b>dB (A)</b>		<b>3,2</b>	
Измеренный уровень звуковой мощности	<b>dB (A)</b>	2000/14/EC EN 22868 EN ISO 3744	<b>111,5</b>	
Погрешность	<b>dB (A)</b>		<b>3,1</b>	
Допустимый уровень звукового давления	<b>dB (A)</b>	$L_{WA}$ 2000/14/EC EN 22868 EN ISO 3744	<b>115</b>	
Уровень вибрации	<b>m/s<sup>2</sup></b>	EN 11681-1 EN 22867 EN 12096	<b>6,9 (Sx) 7,1 (Dx)</b>	*
Погрешность	<b>m/s<sup>2</sup></b>	EN 12096	<b>1,9 (Sx) 1,9 (Dx)</b>	
* Оценочные средние величины (1/3 минимум, 1/3 полная нагрузка, 1/3 макс. скорость на холостом ходу).				

## 11. ЗАЯВЛЕНИЕ О СООТВЕТСТВИИ

Я, нижеподписавшийся **ЕМАК spa via Fermi, 4 - 42011 Bagnolo in Piano (RE) ITALY**

заявляю под собственной ответственностью, что машина:

1. Род: **Электропилы**

2. Марка: / Тип: **OLEO-MAC GSH 40 / EFCO MTH 400 - MTH 402**

3. Серийный номер **825 XXX 0001 - 825 XXX 9999**

соответствует положениям директивы/  
регламента и последующим поправкам  
или дополнениям **2006/42/EC - 2014/30/EU - 2000/14/EC - 2011/65/EU**

соответствует требованиям следующих  
гармонизированных норм: **EN ISO 11681-1:2011 - EN 55012:2007 -  
EN 55012:2007/A1:2009 - EN ISO 14982:2009**

соответствует модели, на которую  
получена сертификация CE .№ **EPT 0477.MAC.19/3235 (GSH 40)  
EPT 0477.MAC.19/3236 (MTH 400)**

Нотифицированный орган для  
Директивы 2000/14/EC **Eurofins Product Testing Italy S.r.l. - v. Courgnè, 21 -  
10156 Torino (TO) - Italy n° 0477**

Используемые процедуры по оценке  
соответствия требованиям **Annex V - 2000/14/EC**

Измеренный уровень звуковой мощности **111,5 dB(A)**

Гарантируемый уровень звуковой мощности **115 dB(A)**

Сделано в: **Bagnolo in piano (RE) Italy - via Fermi, 4**

Дата: **20/07/2019**

Техническая документация хранящаяся в: **административном отделе. - Техническое руководство**

  
  
**Emak**  
s.p.a.  
Fausto Bellamico - President



## 12. ГАРАНТИЙНОЕ СВИДЕТЕЛЬСТВО

Настоящая машина была разработана и изготовлена использованием наиболее современных технологических процессов. Фирма-изготовитель дает гарантию на свои изделия в течение 24 месяцев со дня покупки при условии, что они применяются для личного и непрофессионального пользования. В случае профессионального использования гарантия действует в течение 12 месяцев.

### Общие гарантийные условия

- 1) Гарантийный срок отсчитывается от даты покупки. Изготовитель, через свою торговую сеть и центры сервисного обслуживания, обеспечивает безвозмездную замену частей, вышедших из строя в результате дефектов материалов или производственных дефектов. Настоящая гарантия не ущемляет законных прав покупателя по гражданскому кодексу в отношении последствий дефектов или недостатков проданного ему изделия.
- 2) Обслуживающий персонал будет оказывать содействие как можно скорее с учетом графика организации.
- 3) **Гарантийные услуги предоставляются только по предъявлении уполномоченному персоналу нижеприведенного гарантийного талона, полностью заполненного и с печатью продавца, вместе со счетом или чеком или другим обязательным по налоговому законодательству документом, удостоверяющим дату покупки.**
- 4) Гарантии изделие аннулируется в следующих случаях:
  - явное пренебрежение техобслуживанием,
  - использование изделия не по назначению или нарушение его целостности,
  - использование неподходящей смазки или топлива,
  - использование неоригинальных запасных частей или принадлежностей,
  - выполнение на машине работ не уполномоченным персоналом.
- 5) Из гарантии исключены расходные материалы и те части, которые подвергаются нормальному износу при эксплуатации.
- 6) Из гарантийных услуг исключены работы по обновлению и улучшению изделия.
- 7) Гарантия не покрывает наладочные работы и операции по техобслуживанию, могущие потребоваться в течение гарантийного срока.
- 8) О любых повреждениях, причиненных во время перевозки, необходимо немедленно сообщить транспортному предприятию, в противном случае гарантия утратит силу.
- 9) На двигатели не нашего производства (Briggs & Stratton, Subaru, Honda, Kipor, Lombardini, Kohler и др.), установленные на наших изделиях, действует гарантия соответствующих изготовителей.
- 10) Гарантия не покрывает никакие прямые или косвенные убытки, причиненные людям или имуществу вследствие повреждений или длительного принудительного простоя машины.

МОДЕЛЬ

\_\_\_\_\_

**СЕРИЙНЫЙ НОМЕР**

\_\_\_\_\_

КУПЛЕН ГОСПОДИНОМ

\_\_\_\_\_

\_\_\_\_\_

\_\_\_\_\_

ДАТА

\_\_\_\_\_

ДИЛЕР

\_\_\_\_\_

Не прислать отдельно! Приложить к заявке на оказание гарантийной технической помощи.

### 13. ПОИСК И УСТРАНЕНИЕ НЕИСПРАВНОСТЕЙ



**ВНИМАНИЕ!** Всегда останавливайте машину и отсоединяйте свечу перед тем, как приступать к выполнению всех операций, указанных в нижеприведенной таблице, за исключением тех случаев, когда для их выполнения необходимо функционирование машины.

Если после выполнения всех проверок неисправность остается, обратитесь в авторизованный сервисный центр. В случае появления неисправности, не указанной в этой таблице, обратитесь в авторизованный сервисный центр.

НЕИСПРАВНОСТЬ	ВОЗМОЖНЫЕ ПРИЧИНЫ	СПОСОБ УСТРАНЕНИЯ
Двигатель не запускается или глохнет через несколько секунд после запуска.	<ol style="list-style-type: none"> <li>1. Нет искры</li> <li>2. Двигатель "залит" топливом</li> </ol>	<ol style="list-style-type: none"> <li>1. Проверьте иску свечи. При отсутствии искры повторите проверку с новой свечой (L8RTF).</li> <li>2. Выполните процедуру, описанную на стр. 63. Если двигатель все еще не зажигается, повторите эту процедуру с новой свечой.</li> </ol>
Двигатель запускается, но не развивает нужные обороты или неверно работает на большой скорости.	Карбюратор подлежит регулировке.	Обратитесь в авторизованный сервисный центр для выполнения регулировки карбюратора.
Двигатель не набирает полную скорость и/или сильно дымит.	<ol style="list-style-type: none"> <li>1. Проверьте бензино-масляную смесь.</li> <li>2. Засорен воздушный фильтр.</li> <li>3. Карбюратор подлежит регулировке.</li> </ol>	<ol style="list-style-type: none"> <li>1. Используйте свежий бензин и специальное масло для 2-тактных двигателей.</li> <li>2. Прочистите; см. указания, приведенные в главе "Техобслуживание воздушного фильтра".</li> <li>3. Обратитесь в авторизованный сервисный центр для выполнения регулировки карбюратора.</li> </ol>
Двигатель запускается, вращается, но не держит обороты на холостом ходу.	Карбюратор подлежит регулировке.	Отрегулируйте положение регулировочного винта холостого хода "Т" (Рис. 30), поворачивая его по часовой стрелке для увеличения скорости; см. главу "Техобслуживание карбюратора".
Шина и цепь во время работы нагреваются и дымят	<ol style="list-style-type: none"> <li>1. Пустой бак с маслом для смазки цепи</li> <li>2. Слишком тугое натяжение цепи</li> <li>3. Неполадка в работе системы смазки</li> </ol>	<ol style="list-style-type: none"> <li>1. Масляный бак необходимо заполнять каждый раз при заправке топлива.</li> <li>2. Натяжение цепи; см. указания в разделе «Монтаж шины и цепи» (Стр. 60).</li> <li>3. Позвольте двигателю работать на полную мощность в течение 15-30 секунд. Остановите его и проверьте, имеются ли на конце шины капли масла. Если масло имеется, причиной неполадки может быть слабое натяжение цепи или поврежденная шина. Если масло отсутствует, свяжитесь с уполномоченным центром технической поддержки</li> </ol>
Двигатель запускается и работает, но цепь не вращается	<ol style="list-style-type: none"> <li>1. Включен тормоз цепи</li> <li>2. Слишком тугое натяжение цепи</li> <li>3. Сборка шины и цепи</li> <li>4. Цепь и/или шина повреждены</li> <li>5. Муфта сцепления и/или зубчатое колесо повреждены</li> </ol>	<ol style="list-style-type: none"> <li>1. Выключите тормоз цепи; см. раздел «Использование - Тормоз цепи» (Стр. 64)</li> <li>2. Натяжение цепи; см. указания в разделе «Монтаж шины и цепи» (Стр. 60)</li> <li>3. См. указания в разделе «Монтаж шины и цепи» (Стр. 60)</li> <li>4. См. указания в разделе «Техобслуживание шины и/или цепи» (Стр. 66)</li> <li>5. Замените их в случае необходимости; свяжитесь с уполномоченным центром технической поддержки</li> </ol>



**ВНИМАНИЕ:** не дотрагивайтесь до цепи, пока двигатель работает

## ПЕРЕКЛАД ОРИГІНАЛЬНИХ ІНСТРУКЦІЙ

### Шановний покупець!

Дякуємо за те, що обрали продукцію марки Етак.

Фахівці дилерської мережі та сервісних центрів готові проконсультувати Вас з будь-яких питань.

### ВСТУП

Для правильного використання ланцюгових пилок, щоб уникнути нещасних випадків, не можна починати роботу без ретельного вивчення даної інструкції. У посібнику надаються пояснення щодо роботи різних вузлів та інструкції щодо необхідних перевірок та технічного обслуговування.

**УВАГА: Описи та ілюстрації, що містяться в цьому посібнику, не вважаються директивними. Виробник залишає за собою право вносити зміни, не беручи зобов'язань щодо оновлення цього посібника.**

Окрім інструкцій з експлуатації й технічного обслуговування цей посібник містить інформацію, яка вимагає особливої уваги. Така інформація позначена такими символами: **УВАГА:** стосується випадків, коли існує небезпека нещасного випадку чи травмування, в тому числі з летальними наслідками, або серйозного пошкодження майна.

**ОБЕРЕЖНО:** стосується випадків, коли існує ризик пошкодження пристроїв або окремих компонентів.

#### УВАГА

#### РИЗИК ПОШКОДЖЕННЯ СЛУХУ

ЗА НОРМАЛЬНИХ УМОВ ЕКСПЛУАТАЦІЇ ОПЕРАТОР ДАНОЇ МАШИНИ МОЖЕ ЩОДНЯ ПІДДАВАТИСЯ ВПЛИВУ РІВНЯ ШУМУ, ЩО ДОРІВНЮЄ АБО ПЕРЕВИЩУЄ

85 дБ (А)

### ЗМІСТ

1. ПОЯСНЕННЯ ПОПЕРЕДЖУВАЛЬНИХ СИМВОЛІВ ТА ЗАХОДИ БЕЗПЕКИ	75
2. КОМПОНЕНТИ ЛАНЦЮГОВОЇ ПИЛИ	75
3. ЗАХОДИ БЕЗПЕКИ	76
4. МОНТАЖ ШИНИ ТА ЛАНЦЮГА	77
5. ЗАПУСК	78
6. ЗУПИНКА ДВИГУНА	81
7. ЕКСПЛУАТАЦІЯ	81
8. ТЕХНІЧНЕ ОБСЛУГОВУВАННЯ	83

9. ЗБЕРІГАННЯ	86
10. ТЕХНІЧНІ ХАРАКТЕРИСТИКИ	87
11. ДЕКЛАРАЦІЯ ВІДПОВІДНОСТІ	89
12. ГАРАНТІЙНИЙ СЕРТИФІКАТ	90
13. ПОШУК ТА ВИРІШЕННЯ НЕСПРАВНОСТЕЙ	91

## 1. ПОЯСНЕННЯ СИМВОЛІВ ТА ПРАВИЛА БЕЗПЕКИ (Мал.1)

1. Перед використанням пили прочитайте інструкції з експлуатації й технічного обслуговування.
2. Надягайте захисну каску, окуляри та навушники.
3. Назва машини: **ЛАНЦЮГОВА ПИЛА (БЕЗОПИЛА)**
4. Рівень звукової потужності
5. Серійний номер
6. Маркування CE
7. Рік виготовлення
8. Кнопка підсмоктуючого насосу
9. Ланцюгове гальмо активоване (справа). Ланцюгове гальмо не активоване (зліва).
10. **УВАГА!** Поверхні можуть бути гарячими.

## 2. КОМПОНЕНТИ ЛАНЦЮГОВОЇ ПИЛИ (Мал.2)

1. Важіль керування стартером
2. Важіль акселератора
3. Важіль зупинки акселератора
4. Гвинти регулювання карбюратора
5. Важіль інерційного гальма
6. Глушник
7. Ланцюг
8. Шина
9. Кришка повітряного фільтра
10. Вимикач маси
11. Кришка лючка паливного бака
12. Ручка стартера
13. Кришка лючка масляного бака
14. Кнопка підсмоктуючого насосу
15. Гвинт бокового натягувача ланцюга
16. Передня рукоятка
17. Задня рукоятка
18. Захист шини

### 3. ЗАХОДИ БЕЗПЕКИ

**⚠ УВАГА -** Ланцюгова пилка при правильному використанні - це швидкий, зручний і ефективний інструмент, однак при невірному використанні або при недотриманні належних запобіжних заходів вона може стати джерелом небезпеки. Для того, щоб Ваша робота завжди була приємною і безпечною, строго дотримуйтеся правил, наведених нижче та в інших місцях даної інструкції.

**⚠ УВАГА:** При вмиканні машини утворюється електромагнітне поле дуже малої напруженості. Це поле може створювати перешкоди для роботи деяких кардіостимуляторів. Для запобігання серйозного або смертельного ризику особам зі вживленими кардіостимуляторами слід порадитися з лікарем та виробником кардіостимулятора перш, ніж розпочинати роботу.

**⚠ УВАГА!** – Місцеві законодавства можуть обмежувати використання пилки.

1. Використовуйте пилку тільки після уважного вивчення правил експлуатації. Працівник, який не має відповідного досвіду, повинен вправлятися у роботі з машиною перед тим, як переходити до її практичного використання.
2. Ланцюгову пилку можуть використовувати тільки дорослі, що мають добрий фізичний стан та ознайомлені з правилами її експлуатації.
3. Ніколи не користуйтеся ланцюговою пилкою, якщо Ви сильно втомились або знаходитесь під впливом алкоголю, наркотиків або лікарських препаратів.
4. Ніколи не надягайте шарфів, браслетів або інших речей, що можуть бути зачеплені пилкою або ланцюгом. Користуйтеся одягом, що захищає від порізів і добре прилягає до тіла.
5. Працюючи з ланцюговою пилкою, одягайте нековзне взуття, рукавиці, захисні окуляри, навушники і каску.
6. Не допускайте, щоб у радіусі дії ланцюгової пилки під час її запуску або пиляння знаходилися інші особи.
7. Не починайте роботу до тих пір, поки не приведете до порядку місце роботи.

Не користуйтеся пилкою поблизу електричних кабелів.

8. Завжди пиляйте, знаходячись у стійкому і безпечному положенні.
9. Користуйтеся ланцюговою пилкою тільки в добре провітрюваних місцях. Не дозволяється користуватися пилкою в атмосфері, що насичена пальними або вибухонебезпечними парами або в закритих приміщеннях.
10. Не можна торкатися ланцюга або проводити техобслуговування пилки при працюючому двигуні.
11. До валу відбору потужності ланцюгової пилки дозволяється приєднувати тільки пристрої, надані виробником.
12. Зберігайте всі етикетки з попередженнями про небезпеку та вказівками безпеки у відмінному стані. У випадку пошкодження чи зносу їх слід негайно замінити (Мал. 1).
13. Не використовуйте пилку з метою, відмінною від зазначеної в інструкції (див. стор. 81).
14. Не залишайте пилку з увімкненим двигуном.
15. Щодня перевіряйте, щоб усі частини пилки і захисні пристосування працювали належним чином.
16. Завжди дотримуйтеся наших указівок по проведеному техобслуговуванню.
17. Не дозволяється використовувати несправний, неправильно відремонтований або неправильно встановлений ланцюг або робити несанкціоновані зміни в його конструкції. Не можна знімати, відключати або виводити з ладу будь-які захисні пристрої. Використовуйте шини тільки тієї довжини, яка наведена в таблиці.
18. Не ремонтуйте ланцюгову пилку самостійно і не проводьте самостійно інші роботи, що виходять за рамки поточного техобслуговування. Звертайтеся тільки в спеціалізовані й авторизовані сервісні центри.
19. Не можна запускати пилку без захисного щитка ланцюга.
20. При необхідності виведення ланцюгової пилки з експлуатації не залишайте її у навколишньому середовищі, а здайте своєму дилеру, який забезпечить її доцільне використання.
21. Передавайте ланцюгову пилку тільки тим

особам, що вміють користуватися пилкою і знайомі з правилами її експлуатації. Передавати ланцюгову пилку іншим особам необхідно тільки разом з інструкцією, з якою варто ознайомитися перед початком роботи.

22. Завжди звертайтеся до свого дилера для одержання інших роз'яснень або при необхідності виконання будь-яких операцій.
23. Ретельно зберігайте дану інструкцію і консьултуйтеся з нею перед кожним використанням пилки.
24. Пам'ятайте, що власник чи працівник відповідає за нещасні випадки або створення небезпечних ситуацій для інших або їхнього майна.

### ЗАХИСНИЙ ОДЯГ

**⚠** Значна частина нещасних випадків при використанні бензопилки відбувається, коли ланцюг зачіпає оператора. **При роботі з бензопилкою завжди одягайте сертифікований захисний одяг.** Застосування захисного одягу не усуває ризик одержання травми, але зменшує можливі наслідки нещасного випадку. При виборі захисного одягу керуйтеся рекомендаціями Вашого довіреного дилера.

Одяг повинний бути зручний і не заважати при роботі. Користуйтеся одягом, що захищає від порізів і добре прилягає до **тіла. Куртка, комбінезон і гетри, що захищають від порізів, є ідеальним рішенням.** Не надягайте плаття, шарфи, краватки або ланцюжки, що можуть зачепитися за колоди або за гілки. Зберіть у пучок довге волосся і сховайте його (наприклад під хустку, шапку, каску і т.д.).

**Одягайте захисні черевики або чоботи, що мають підошви, які не ковзають, і сталеві наконечники.**

**Одягайте захисну каску у місцях, де можуть падати предмети.**

**Завжди одягайте захисні окуляри або козирок!**

**Використовуйте пристосування для захисту органів слуху, наприклад, навушники або затички.** Застосування пристосувань для захисту органів слуху вимагає особливої уваги й обережності, тому що при цьому обмежується здатність сприймати звукові

сигнали про небезпеку (крики, сигнали попередження і т.д.).

**Одягайте рукавиці, що захищають від порізів.**

## 4. МОНТАЖ ШИНИ ТА ЛАНЦЮГА

**⚠ УВАГА - Монтажні роботи завжди слід виконувати в рукавицях. Використовуйте шину й ланцюг, рекомендовані виробником (стор. 87).**

- Притягти щиток безпеки (мал. 3) до передньої ручки, щоб перевірити, чи не включене гальмо ланцюга.
- Зніміть гайки (A) і кришку ланцюга (B, Рис. 4).
- Вийміть картонну прокладку, закріплену на установних штифтах шини (C, мал. 5).
- Приведіть хвостовик натягувача ланцюга (D, мал.5) до упору, повністю відкрутивши гвинт натягувача ланцюга (L).
- Надіньте шину (F, Рис.5) на посадкову шпильку (N).
- Надіньте ланцюг (H, Мал. 6) на зірочку (E) та на направляючу шини (M). Зверніть увагу на напрямок обертання ланцюга (Мал. 8).
- Прикладіть захисний щиток ланцюга, вставивши у спеціальне гніздо, і притискаючи до шини, закручіть гвинт натягувача ланцюга (L, Мал. 7) до тих пір, поки хвостовик (D, Мал. 5) не увійде в отвір (G) шини.
- Встановіть захисний щиток ланцюга та відповідні гайки, не затягуючи їх.
- Натягніть ланцюг за допомогою натягувача ланцюга (L, Мал. 7).
- Піднявши шину за кінець, добре затягніть гайки захисного щитка ланцюга (Мал. 7). Момент затягування становить 1,5 кгм (15 Нм). Ланцюг повинен бути натягнутий, але вільно провертатися рукою (мал. 10).
- Ланцюг натягнутий правильно, якщо, потягнувши вгору, його можна підняти на кілька міліметрів. (Мал. 10).

**⚠ УВАГА - Завжди підтримуйте правильний натяг ланцюга.** При надто слабкому натягові ланцюга збільшується ризик віддачі (відскакування) й виходу ланцюга з пазу шини; це може призвести до травмування оператора й пошкодження ланцюга. Надто слабкий натяг призводить до швидкого зносу ланцюга, шини та зірочки. Навпаки, надто сильно натягнутий ланцюг

призводить до перевантаження двигуна з можливим пошкодженням. **Правильний натяг ланцюга забезпечує кращі характеристики пилання, безпеку та більш тривалий термін експлуатації ланцюга.** Термін експлуатації ланцюга залежить від правильного натягу, а також від правильного змащування.

## 5. ЗАПУСК ДВИГУНА

### ПАЛИВО

**⚠ УВАГА: бензин є дуже вогненебезпечним видом палива. Дуже обережно поводьтеся з бензином чи паливною сумішшю. Заборонено палити чи підносити вогонь до палива чи пили.**

- Для зменшення ризику виникнення пожежі та отримання опіків поводьтеся з паливом обережно. Воно є дуже вогненебезпечним.
- Розмішуйте і тримайте паливну суміш у спеціально призначених для цього каністрах.
- Змішуйте паливо на відкритому повітрі за відсутності іскор чи полум'я.
- Перед заправкою опустіть пилу на вільну рівну поверхню, зупиніть двигун та дайте йому охолонути.
- Відкручуйте кришку обережно, щоб поступово стравити тиск і уникнути виплеску палива.
- Після заповнення бака міцно затягніть кришку. Вібрація може спричинити послаблення кришки та виплеск палива.
- Витріть виплеснуте паливо. Перед запуском двигуна перенесіть бензопилу на 3 метри від місця, де пролилося паливо.
- За жодних обставин не намагайтеся палити розлите паливо.
- Не паліть під час роботи з паливом чи бензопилою.
- Зберігайте паливо у сухому, прохолодному місці з хорошим провітрюванням.
- Не зберігайте паливо поряд з сухим листям, соломю, папером, тощо.
- Зберігайте бензопилу та паливо в місцях, де неможливий контакт випаровувань пального з іскрами чи відкритим полум'ям, бойлерами, електричними двигунами, тощо.
- Не знімайте кришку горловини бака пального, якщо працює двигун.
- Не використовуйте паливо для чищення.
- Будьте обережні та не допускайте

потрапляння палива на одяг.



Ця пилка приводиться в дію 2-тактовим двигуном, отже, її слід заправляти сумішшю мастило/бензин для 2-тактових двигунів. Заздалегідь змішайте неетилований бензин з мастилом для двотактових двигунів у чистій ємності, придатній для зберігання бензину.

**РЕКОМЕНДОВАНЕ ПАЛИВО ЦЕЙ ДВИГУН СЕРТИФІКОВАНО ДЛЯ РОБОТИ З НЕЕТИЛОВАНИМ БЕНЗИНОМ ДЛЯ АВТОТРАНСПОРТНИХ ЗАСОБІВ З ОКТАНОВИМ ЧИСЛОМ 89 ([R + M] / 2) ЧИ БІЛЬШИМ.**

Змішуйте мастило для 2-тактових двигунів з бензином, дотримуючись інструкцій, наведених на упаковці.

Радимо використовувати мастило для 2-тактових двигунів у концентрації Oleo-Mac / Efc0 **2% (1:50)**, спеціально розроблене для всіх двотактових двигунів з повітряним охолодженням.

Співвідношення мастила та бензину, наведене у таблиці, є вірними для використання мастил для двигунів Oleo-Mac / Efc0 **PROSINT 2** та **EUROSINT 2** або тотожного високоякісного мастила (**що відповідає вимогам стандарту JASO FD або ISO L-EGD**).

БЕНЗИН	МАСТИЛО	
		
	2% - 50:1	
ℓ	ℓ	(cm <sup>3</sup> )
1	0,02	(20)
5	0,10	(100)
10	0,20	(200)
15	0,30	(300)
20	0,40	(400)
25	0,50	(500)

**⚠ ОБЕРЕЖНО: НЕ ВИКОРИСТОВУЙТЕ МАСТИЛО ДЛЯ АВТОМАШИН АБО ДЛЯ 2-ТАКОВИХ ЗАБОРТНИХ ДВИГУНІВ.**

**⚠ ОБЕРЕЖНО:**

- Купуйте паливо в кількості, що відповідає об'єму ваших витрат; не купуйте більше палива, ніж використовуєте протягом одного чи двох місяців.
- Зберігайте бензин у герметично закритій ємності, у сухому прохолодному місці.

**⚠ ОБЕРЕЖНО** - Ніколи не використовуйте для паливної суміші з вмістом етанолу більш ніж 10%; дозволяється використовувати газохол (суміш бензину з етанолом) з вмістом етанолу до 10% або паливо E10.

**ПРИМІТКА** - Суміш варто готувати в кількості, необхідній для кожного разу; не залишайте суміш у баці або каністрі на тривалий час. Рекомендується використовувати присадку **Emak ADDITIX 2000**, код замовлення 001000972, що дозволяє суміші зберігатися протягом 12 місяців.

#### Алкілований бензин

**⚠ ОБЕРЕЖНО** - Густина алкілованого бензину відрізняється від густини звичайного бензину. Тому двигуни, налаштовані на звичайний бензин, можуть потребувати іншого налаштування гвинта Н. Для проведення цієї операції слід звернутися до уповноваженого сервісного центру.

#### ЗАЛИВАННЯ ПАЛИВА

Потрясіть каністру з паливом перед заливанням.

**⚠ УВАГА: поведіться з паливом, дотримуючись правил техніки безпеки. Перед заливанням палива завжди вимикайте двигун. Ніколи не доливайте паливо, якщо двигун гарячий або працює. Перед запуском двигуна перенесіть бензопилу на відстань щонайменше 3 метрів від місця заливання палива. НЕ ПАЛИТИ!**

1. Очистіть поверхню довкола заливальної горловини, щоб попередити забруднення палива.
2. Повільно послабте кришку палива.
3. Обережно залийте паливну суміш у бак. Не допускайте виплеску палива.
4. Перш ніж встановити кришку на місце, очистіть її та перевірте стан.
5. Зразу ж після заливання палива встановіть на місце кришку палива та закрутіть її вручну. Витріть можливі виплески палива.

**⚠ УВАГА: перевірте чи нема протікань палива; за наявності приберіть перш, ніж розпочати роботу. За необхідності зверніться до уповноваженого сервісного**

**центру.**

#### ДОЛИВАННЯ МАСТИЛА І ЗМАЩУВАННЯ ЛАНЦЮГА

Змащування ланцюга відбувається завдяки автоматичному насосу, який не потребує технічного обслуговування. Мазильний насос налаштований виробником так, щоб постачати кількість мастила, достатню навіть за умови виконання важкої праці. Під час пиляння тонкої деревини протікання масла краплями вважається нормальним.

- Перед кожним доливанням мастила очищайте поверхню довкола корка (13, Мал.2), щоб запобігти потраплянню забруднень у бак.
- Під час роботи спостерігайте за рівнем мастила в баку.
- Після доливання мастила двічі чи тричі запустіть двигун, щоб відновити правильну подачу мастила.
- У разі несправності не вживайте жодних заходів, а зверніться до уповноваженого сервісного центру.

Правильне змащування ланцюга під час пиляння зводить до мінімуму знос за рахунок тертя ланцюга об шину, забезпечуючи більший термін їхньої служби. Завжди використовуйте тільки якісні мастила.

**⚠ УВАГА** - Забороняється використання відпрацьованого мастила!

**Завжди використовуйте тільки мастило, яке розкладається біологічним шляхом (еко-мастило Oleo-Mac, призначене для шин і ланцюгів, яке однаково щадить і навколишнє середовище, і здоров'я оператора і частини пилки.**

**⚠ Перед запуском двигуна перевірте, щоб ланцюг не торкався сторонніх предметів.**

**⚠ Під час роботи бензопили завжди міцно тримайте передню рукоятку лівою рукою, а задню - лівою рукою (Мал.11).**

- Працюючи, ніколи не тягніться і не піднімайте ланцюгову пилку вище рівня плечей; якщо тримати пилу надто високо, може бути складно контролювати дію дотичних сил (віддачу).
- **Не допускайте контакту частин тіла з ланцюгом та глушником.**

- **Оператори-лівші також повинні виконувати ці вказівки. Під час роботи зберігайте правильне положення пиляння.**

**⚠ Дія вібрації може негативно позначитися на здоров'ї людей, які страждають від порушень кровообігу та захворювань нервової системи. Зверніться до лікаря, якщо вас турбують такі симптоми як оніміння, втрата чутливості, знесилення чи зміна забарвлення шкіри. Зазвичай ці явища спостерігаються на пальцях, п'ястях чи зап'ястях.**

### **Заклинювання двигуна**

- Переведіть вимикач маси у положення **STOP** (В, Рис. 13).
- Послабте гвинт кришки (А, Рис. 27).
- Зніміть кришку.
- Зніміть ковпачок свічки запалювання.
- Відкрутіть та висушіть свічку запалювання.
- Повністю відкрийте дросельну заслінку.
- Декілька разів потягніть за шнур стартера, щоб спорожнити камеру горіння.
- Встановіть свічку запалювання та ковпачок, **рішуче** натиснувши на нього.
- Переведіть важіль стартера в положення **OPEN**, навіть якщо двигун холодний.
- Тепер запустіть двигун.

**⚠ УВАГА** – Ніколи не запускайте пилку, якщо не встановлена шина, ланцюг та картер муфти зчеплення (гальмо ланцюга) – зчеплення може **ослабнути** й спричинити **травми**.

### **ЗАПУСК ДВИГУНА**

**Під час запуску двигуна гальмо ланцюга має бути включеним. Включіть гальмо ланцюга, штовхнувши важіль гальма ланцюга / шитка руки уперед (у напрямку шини), у положення включення гальма (Мал. 12).** Наповніть карбюратор, натиснувши кнопку підсмоктуючого насосу (А, Мал. 14). Натисніть ручку стартера (В, рис.14А) повністю донизу (1). Покладіть бензопилу на землю у стійкому положенні. Переконайтесь в тому, що ланцюг вільно рухається і не контактує зі сторонніми предметами. Перед запуском двигуна переверіте, щоб бензопила не торкалася будь-яких предметів. Ніколи не намагайтесь запустити бензопилу, якщо шина знаходиться у розпилюваній деревині. Тримавши лівою рукою передню рукоятку, просуньте праву стопу на основу задньої

рукоятки (Мал. 15). Потягніть шнур стартера декілька разів, до **першого запуску** двигуна. Перемістіть важіль стартера (В, рис.14В) у проміжне положення (2). Потягніть шнур стартера, щоб запустити двигун. Після запуску двигуна відпустіть гальмо ланцюга та **почекайте декілька секунд**. Потім натисніть на важіль акселератора (С, Мал. 13), щоб розблокувати пристрій автоматичного «напівгазу».

**⚠ УВАГА** - Якщо двигун прогрітий, не використовуйте стартер для запуску.

**⚠ УВАГА** - Положення акселератора «напівгаз» варто використовувати тільки в момент запуску двигуна.

### **ОБКАТКА ДВИГУНА**

Двигун досягає своєї максимальної потужності після 5-8 годин роботи. Під час цього періоду обкатки не користуйтеся пилкою на максимальних обертах двигуна, щоб уникнути надмірних навантажень.

**⚠ УВАГА!** - Під час обкатки не змінюйте карбюрацію з метою досягнення більшої потужності; це може призвести до виходу двигуна з ладу.

**ПРИМІТКА:** випускання диму новим двигуном під час та після його першого використання є звичним явищем.

### **ОБКАТКА ЛАНЦЮГА**

Регулювання натягу робиться тільки на охололому ланцюгові. Спочатку проверніть ланцюг вручну і додатково змастіть. Запустіть двигун і дайте йому попрацювати на середніх обертах декілька хвилин, стежачи за тим, щоб мастильний насос працював справно. Зупиніть двигун і відрегулюйте натяг ланцюга. Запустіть пилку і зробіть кілька розпилів. Знову зупиніть двигун і ще раз перевірте натяг. Повторюйте цю операцію, поки ланцюг не розтягнеться до максимуму. Не торкайтесь ланцюгом землі.

**⚠ УВАГА** - Ніколи не торкайтесь ланцюга під час роботи двигуна. Не торкайтесь ланцюгом землі.



## 6. ЗУПИНКА ДВИГУНА

Відпустіть важіль акселератора (С, Мал. 12), збільши число обертів двигуна до мінімуму. Зупиніть двигун, перемістивши стартову важіль (В, рис.13) повністю догори (3).

**⚠ Не кладіть пилку на землю, якщо ланцюг ще не зупинився.**

## 7. ПРАВИЛА ЕКСПЛУАТАЦІЇ

Тривале вдихання вихлопних газів двигуна, розпилюваного мастила ланцюга і пилюки від тирси може завдати шкоди здоров'ю.

### АНТИ-МІЖНА СИСТЕМА

При температурі нижче 0°C позиціуйте курсор (А, рис.33) у зимовому положенні. Таким чином, крім холодного повітря, з циліндра також витягується гаряче повітря, тому всередині карбюратора не утворюється лід.

При температурі вище + 10°C, перемістіть повзунок (А, рис.34) у літній порядок. Інакше мотор може не працювати через перегрів.

### ГАЛЬМО ЛАНЦЮГА

Інерційне гальмо ланцюга забезпечує максимальну безпеку під час експлуатації ланцюгової пилки. Воно захищає оператора від можливої віддачі (відскакування), яка може трапитися під час роботи. Приводиться в дію з наступним миттєвим блокуванням ланцюга у разі, якщо оператор натискає на важіль (ручне керування), або автоматично, у результаті дії інерції, коли захисний щиток зрушується вперед (Мал.16) при несподіваній віддачі (інерційне керування). Гальмо ланцюга можна звільнити, потягнувши важіль у напрямку до оператора (Мал.3).

### ПЕРЕВІРКА РОБОТИ ГАЛЬМА

Під час перевірки пилки, перед роботою, обов'язково перевірте ефективність роботи гальма в такий спосіб:

1. Увімкніть двигун і міцно візьміться за рукоятки двома руками.
2. Потягнувши за важіль акселератора, щоб ланцюг почав рухатися, штовхніть важіль гальма вперед, використовуючи тильну частину лівої руки (Мал.11).
3. Коли гальмо спрацює, ланцюг негайно

- зупиниться; відпустіть важіль акселератора.
4. Відпустіть гальмо (Мал.3).

### ТЕХНІЧНЕ ОБСЛУГОВУВАННЯ ГАЛЬМА:

завжди тримайте гальмівний механізм у чистоті та змащуйте важільний механізм. Стежте за зносом стрічки гальма. Її мінімальна товщина повинна становити **0,30 мм**.

### ЗАБОРОНЕНЕ ВИКОРИСТАННЯ

**⚠ УВАГА - Завжди дотримуйтеся правил техніки безпеки. Ця бензопила призначена для обрізки гілок і підстригання високих дерев та кущів. Заборонено пиляти інші матеріали. Інші матеріали мають інші пружність і віддачу і, тому при роботі з ними безпека не може бути забезпечена. Ланцюгову пилку не можна застосовувати як важіль для підняття, переміщення або розколювання предметів, не можна зупиняти пилку об нерухому опору. До валу відбору потужності ланцюгової пилки дозволяється приєднувати тільки пристрої, надані виробником.**

### ЗАПОБІЖНІ ЗАХОДИ НА РОБОЧІЙ ДІЛЯНЦІ

- Не працюйте поблизу електричних проводів.
- Працюйте лише за умови хорошої видимості та освітлення.
- Завжди вимикайте двигун перед тим, як покласти бензопилу на землю.
- Дуже обережно застосовуйте засоби індивідуального захисту, оскільки ці засоби можуть обмежувати вашу здатність сприймати перестерігаючі звукові сигнали (оклики, гудки, тощо).
- Дуже обережно працюйте на похилих та нерівних ділянках.
- Ніколи не піднімайте ланцюгову пилку вище рівня плечей; якщо тримати пилу надто високо, може бути складно контролювати дію дотичних сил (віддача шини).
- **Не пиляйте, стоячи на драбині: це дуже небезпечно.**
- Зупиніть ланцюгову пилу, якщо ланцюг ударяє сторонній предмет. Перевірте пилку і, якщо необхідно, відремонтуйте пошкоджені компоненти. Огляньте машину також після її ненавмисного падіння.
- Слідкуйте, щоб на ланцюгові не було бруду й піску. Навіть незначна кількість бруду швидко зменшує ріжучу здатність ланцюга

- та збільшує вірогідність віддачі шини.
- Слідкуйте, щоб рукоятки завжди були сухими та чистими.
  - Розпилюючи колоду під навантаженням, стережіться віддачі, щоб несподівано не потрапити під удар, коли волокна деревини вивільняться.
  - Будьте вкрай обережні при пилянні дрібних гілок або кущів, що можуть відкинути вас назад і змусити втратити рівновагу.

## ПРАВИЛА РОБОТИ

### **⚠ УВАГА - Валка дерева вимагає досвіду.**

**Не намагайтеся валити дерево, якщо у вас немає досвіду. УНИКАЙТЕ ВИКОНАННЯ БУДЬ-ЯКИХ ОПЕРАЦІЙ, ЯКЩО ВИ НЕ ПОЧУВАЄТЕ СЕБЕ ДОСТАТНЬО КВАЛІФІКОВАНИМИ! Недосвідченим операторам бажано утримуватися від валки дерев зі стовбуром, діаметр, яких більший, ніж довжина шини. Якщо ви користуєтеся бензопилою вперше, потренуйтеся на одній колоді, забезпечивши їй стійке положення, щоб набути навичок. Під час пиляння збільште швидкість до максимальної. Не тисніть надмірно на пилку; вага пилки дозволяє пиляти, докладаючи мінімум зусиль.**

**⚠ УВАГА - не пиляйте під час негоди, в умовах слабкої видимості, при надто низьких чи високих температурах довколишнього повітря. Переконайтеся у відсутності сухих гілок, які б могли впасти.**

## ВАЛКА

Під час валки й розпилювання (розкривання) дерева скористайтеся присутністю лапи (упору), яка може служити шарніром. Ретельно огляньте дерево й навколишній ґрунт перш ніж розпочинати валку. Звільніть робочу ділянку. Заздалегідь передбачте можливість безпечного відходу від падаючого дерева (Рис.17). Обріжте сучки на нижній частині стовбура, приблизно до висоти 2 метрів. Зробіть підпил перпендикулярно до осі росту дерева на глибину 1/4 діаметра дерева, починаючи з того боку, в який намічено валити дерево (1 - Рис. 18). Приблизно на 10 см. вище зробіть другий підпил, кінець якого збігатиметься з кінцем першого підпилу. Таким чином буде вирізано клин, який задасть дереву напрямок падіння (2 - Рис. 18). На стороні, протилежній першому

підпилу, на 4 - 5 см вище від першого підпилу, зробіть валочний пропили (3 - Рис. 18). Завжди залишайте перекладку (А, Рис. 19-24) для контролю за напрямком падіння дерева. Вставте вирізаний раніше клин у валочний пропили перш ніж дерево почне рухатися. Це робиться для того, щоб шину пилки не заклинило. Якщо діаметр стовбура більший ніж довжина шини, зробіть валочний пропили у порядку, вказаному на рис. 19.

## ОБРИЗАННЯ ГІЛОК

- a) Завжди починайте з того місця, де стовбур має найбільший діаметр і рухайтесь в напрямку до верхини дерева, зрізуючи всі суки і більш дрібні гілки.
- b) На початку роботи займіть найбільш стійку і безпечну позу до того, як запустите пилку. Якщо знадобиться, можна упертися коліном в дерево.
- c) При обрізанні гілок тримайте пилку так, щоб втомлюватися якнайменше, і повертайте її вправо або вліво, в залежності від розташування гілки, яку обрізаєте (Мал. 20).
- d) У випадку, якщо гілки знаходяться під навантаженням, займіть безпечне положення, щоб не потрапити під удар, якщо вони розпрямляться. Завжди пиляйте з боку, що протилежний вигину.
- e) Обрізаючи гілки великого діаметру скористайтеся присутністю лапи.

**⚠ УВАГА - Не можна використовувати для пиляння верхній край кінчика шини, особливо для обрізки гілок, позаяк можете потрапити під віддачу.**

## РОЗПИЛЮВАННЯ

Перед розпилюванням подивіться на розміщення колоди на ґрунті: це допоможе правильно розпиляти колоду й запобігти заклинюванню шини у колоді.

- a) Починайте розпил у верхній частині, зробивши пропили глибиною приблизно 1/3 діаметру (1 - Рис. 21). Завершіть розпил знизу (2 - Рис. 21). Так ви отримаєте бездоганний розпил і шину не заклинить у колоді.
- b) Починайте розпил у нижній частині, приблизно на глибину 1/3 діаметру (1 - Рис. 22). Завершіть розпил зверху (2 - Рис. 22).

**⚠ УВАГА - Якщо під час розпилу у колоді заклинює ланцюг, зупиніть двигун, підніміть колоду та змініть її положення (Рис. 23). Не намагайтеся звільнити ланцюг, тягнучи за рукоятку пилки.**

## 8. ТЕХНІЧНЕ ОБСЛУГОВУВАННЯ

**⚠ УВАГА - Під час технічного обслуговування завжди надягайте захисні рукавички. Не виконуйте будь-яких операцій, доки двигун не охолоне.**

**⚠ УВАГА - Невиконання вказівок щодо гостріння призводить до зростання ризику віддачі (відбою).**

### ЗАТОЧЕННЯ ЛАНЦЮГА

Крок ланцюга (Рис.25) складає 3/8 дюйма. Заточувати ланцюг необхідно круглим напилком Ø 4,0 мм, (5/32 дюйма), обов'язково надягнувши захисні рукавички.

Завжди заточуйте зубці тільки рухом напилка назовні, дотримуючись значень, приведених на мал. 25.

Після заточення всі ріжучі кромки повинні мати однакові ширину і довжину.

**⚠ УВАГА - Ланцюг варто заточувати щоразу, коли Ви побачите, що починає давати дрібне обпилювання.**

Після кожних 3-4 заточень варто контролювати і при необхідності сточувати обмежник глибини, користуючись для цього плоским напилком і спеціальним затискачем (постачаються факультативно), після чого необхідно скруглити передній кут (Мал. 26).

**⚠ УВАГА - Правильне регулювання обмежувача глибини настільки ж важливе, як і правильне заточення ланцюга.**

### ШИНА

Шини з розташованою на кінці зірочкою варто змазувати використовуючи шприць-маслюку. Шину варто перевертати кожні 8 годин роботи, щоб забезпечити рівномірний знос.

Стежте за чистотою паза шини і мастильного отвору, прочищайте їх спеціальним шкребком, що постачається як опція.

Перевіряйте, щоб направляючі шини були

рівнобіжними і, при необхідності, видаляйте бічні задирки плоским напилком. Перевернувши шину, перевірте, щоб мастильні отвори були вільні від забруднень.

**⚠ УВАГА: Ніколи не надягайте новий ланцюг на зношену зірочку.**

**ПОВІТРЯНИЙ ФІЛЬТР** - Повертаючи ручку (А, Мал. 27), щодня перевіряйте стан повітряного фільтра (В). Відкрийте очисник повітря (В) за допомогою двох виступів (Е, рис.27). Очистіть знежирювачем Емак код 001101009А, промийте водою та продуйте на віддалі стислим повітрям у напрямку зсередини назовні. Якщо він виявиться занадто брудним чи пошкодженим, замініть його.

**⚠ УВАГА!** - При установці на місце фільтра (В), правильно вставте його у відповідне гніздо в кришці.

**ПАЛИВНИЙ ФІЛЬТР** - Періодично перевіряйте стан паливного фільтра. Якщо він виявиться занадто брудним, замініть його (Мал. 28).

**МАСТИЛЬНИЙ НАСОС (автоматичний, регульований)** - Регулювання виконано виробником. За необхідності витрата мастила може бути відрегульована оператором за допомогою регульовального гвинта (Мал. 32). Витрата мастила відбувається тільки тоді, коли ланцюг рухається.

**⚠ УВАГА** - Ні в якому разі не можна використовувати відпрацьоване мастило.

**СТАРТЕР** - Використовуйте пензлик або стисле повітря для очищення охолоджуючих отворів стартера.

**ДВИГУН** - Періодично чистіть оребріння циліндра пензликом або стислим повітрям. Забруднення циліндра може призвести до небезпечного перегрівання двигуна.

**СВІЧКА ЗАПАЛЮВАННЯ** - Рекомендується регулярно чистити свічку запалювання й перевіряти відстань між електродами (Мал. 29). Використовуйте свічку TORCH L8RTF або іншої марки з аналогічними температурними характеристиками.

**ГАЛЬМО ЛАНЦЮГА** - Якщо гальмо ланцюга працює несправно, зніміть кришку ланцюга й прочистіть компоненти гальма. Якщо стрічка гальма зношена або деформована, замініть її.

Не використовуйте паливо (суміш) для чищення.

### **КАРБЮРАТОР**

Перед регулюванням карбюратора очистіть стартерний шнур, повітряний фільтр (Мал. 27) та прогрійте двигун.

Гвинт мінімального режиму Т регулюється таким чином, щоб забезпечити запас надійності між режимом холостого ходу і режимом вмикання зчеплення.

**⚠ УВАГА - Коли двигун працює на холостому ходу, ланцюг не має обертатися. Якщо на мінімальних обертах ланцюг обертається, зменште швидкість двигуна за допомогою гвинта Т. Якщо проблема залишається, негайно припиніть роботу й зверніться до уповноваженого сервісного центру для вирішення проблеми.**

**⚠ УВАГА - На роботу карбюратора можуть впливати погодні умови і висота над рівнем моря. Не дозволяйте, щоб сторонні особи знаходилися поруч з пилкою під час роботи або під час регулювання карбюратора.**

### **ТЕХОГЛЯД**

В кінці сезону у разі інтенсивної експлуатації та кожних два роки у разі звичайної експлуатації доцільно звертатися до фахівця сервісного центру для проведення повного техогляду.

**⚠ УВАГА! УВАГА! - Всі роботи з технічного обслуговування, не описані у цьому керівництві з експлуатації, повинні виконуватися фахівцями уповноваженого сервісного центру. Пам'ятайте, що для забезпечення безперервної та справної роботи бензопили заміну деталей слід проводити, використовуючи тільки **ФІРМОВІ ЗАПЧАСТИНИ**.**

**⚠ Внесення змін без згоди виробника та використання неоригінальних запчастин може призвести до нанесення**

**важких та смертельних травм оператору та стороннім.**

### **ТРАНСПОРТУВАННЯ**

Переносити ланцюгову пилку можна лише при вимкненому двигуні та шині, розверненій убік від себе, з чохлам на ланцюгу (Мал. 31).

**⚠ УВАГА** – Під час перевезення бензопили на транспортному засобі перевірте, щоб вона була правильно та надійно закріплена за допомогою ременів. Транспоруйте машину у горизонтальному положенні, переконавшись, що при цьому не порушуються правила транспортування таких машин.

## ТАБЛИЦЯ ТЕХНІЧНОГО ОБСЛУГОВУВАННЯ

Наголошуємо, що наведений графік технічного обслуговування передбачає експлуатацію бензопили за звичайних робочих умов. Якщо умови повсякденної експлуатації виявляються суворішими, інтервали між операціями з технічного обслуговування слід відповідно скоротити.		Перед кожним використанням	Після кожної зупинки для доливання палива	Щодня	В разі зносу чи пошкодження
Вся машина	Перевірити: протікання, тріщини, знос	X	X		
Перевірка: вимикач, стартер, важіль акселератора та важіль зупинки акселератора	Перевірити роботу	X	X		
Гальмо ланцюга	Перевірити роботу	X	X		
	Перевірити, звернувшись до уповноваженого фахівця				X
Паливний та мастильний баки	Перевірити: протікання, тріщини та знос	X	X		
Паливний фільтр	Перевірити і змастити			X	
	Замінити фільтруючий елемент				X
Змащування ланцюга	Перевірити ефективність	X	X		
Ланцюг	Перевірити: пошкодження, заточення та знос	X	X		
	Перевірити натяг	X	X		
	Заточення: перевірити глибину проходу				X
Шина	Перевірити: пошкодження та знос	X	X		
	Прочистити паз та маслопровід	X			
	Обернути, змастити зірочку й зняти задирки			X	
	Замінити				X
Зубчасте коліща	Перевірити: пошкодження і знос			X	
	Замінити				X
Муфта зчеплення	Перевірити: пошкодження і знос			X	
	Замінити				X
Зупин ланцюга	Перевірити: пошкодження і знос	X	X		
	Замінити				X
Усі доступні гвинти і гайки (за винятком гвинтів карбюратора)	Перевірити та затягнути			X	
Повітряний фільтр	Прочистити	X			
	Замінити				X
Оребріння циліндра та отворів стартерного картера	Почистити			X	
Стартерний шнур	Перевірити: пошкодження і знос			X	
	Замінити				X
Карбюратор	Перевірити на холостому ходу (на холостому ходу ланцюг не повинен обертатися)	X	X		
Свічка запалювання	Перевірити відстань між електродами			X	
	Замінити				X
Противібраційна система	Перевірити: пошкодження і знос			X	

## 9. ЗБЕРІГАННЯ

Якщо плануються простоювання протягом тривалого часу:

- Спорожніть та очистіть паливний та мастильний баки у добре провітрюваному місці.
- Утилізуйте паливо й мастило відповідно до вимог діючого законодавства щодо захисту довкілля.
- Спорожніть карбюратор, увімкнувши двигун та залишивши його працювати до зупину (суміш, яка залишається у карбюраторі, може пошкодити мембрани).
- Зніміть шину, почистіть та нанесіть захисне мастило.
- Ретельно очистіть вентиляційні отвори картера стартерного вузла, повітряний фільтр (Мал. 27) та оребрення циліндра.
- Зберігайте машину в сухому місці, по можливості не в прямому контакті з ґрунтом, подалі від джерел тепла, з порожніми баками. -Процедура введення в експлуатацію після зимового зберігання тотожна стандартній процедурі запуску машини (стор. 78).

### ЗАХИСТ ДОВКІЛЛЯ

Захист довкілля повинен бути важливим та пріоритетним аспектом експлуатації машини, мета якого - покращення суспільства й довкілля, у якому ми живемо.

- Не порушуйте спокою оточуючих.
- Ретельно дотримуйтесь місцевого законодавства в області утилізації пакувальних матеріалів, мастил, бензину, акумуляторів, фільтрів, зношених деталей та будь-яких матеріалів, здатних значно вплинути на довкілля; ці відходи не можна викидати у сміттєві контейнери, їх потрібно окремо відвозити до спеціальних центрів збору відходів, які забезпечать їх переробку.

### Демонтаж та утилізація


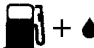

Після виведення пилки з експлуатації не залишайте її у довкіллі, а відвезіть до центру збору відходів.

Більшу частину матеріалів, з яких виготовлено машину, можна переробити; всі металеві частини (сталь, алюміній, латунь) можна здати в пункт прийому металобрухту. За додатковою інформацією зверніться до місцевої служби

збору відходів. Під час утилізації відходів, отриманих внаслідок виведення з експлуатації машини, потрібно з турботою ставитися до охорони довкілля, уникаючи забруднення ґрунту, повітря та води.

**У будь-якому випадку потрібно дотримуватись вимог діючого місцевого законодавства.**

## 10. ТЕХНІЧНІ ХАРАКТЕРИСТИКИ

	GSH 40 - MTH 400 - MTH 402	
Об'єм циліндра	38.9 cm <sup>3</sup>	
Двигун	2-тактовий Emak	
Потужність	1.7 kW	
Мінімальне число обертів	3.000 min <sup>-1</sup> *	
Максимальне число обертів	12.800 min <sup>-1</sup> *	
Кнопка підсмоктуючого насосу	Так	
Гвинт бокового натягувача ланцюга	Так	
Полегшений запуск		Так
Число зубців шестірни	6	
Вага без шини і ланцюга	4.5 kg	
Об'єм паливного бака		320 (0.32) cm <sup>3</sup> (ℓ)
Об'єм бака для мастила ланцюга		220 (0.22) cm <sup>3</sup> (ℓ)
Швидкість ланцюга при 133% від швидкості при максимальній потужності двигуна	21,5 m/s	

\* Число обертів у холостому режимі з шиною та ланцюгом

Рекомендована комбінація шин та ланцюгів	GSH 40 - MTH 400 - MTH 402	
Крок та товщина ланцюга	3/8" x .050"	
Довжина шини	14" (35 cm)	16" (41 cm)
Тип шини	140SDEA041	160SDEA041
Глибина пропилу	91 P	
Довжина різання	310 mm	370 mm



**УВАГА!!!**

Ризик віддачі (kickback) збільшується в разі неправильного підбору комбінації шина/ланцюг! Використовуйте тільки рекомендовані комбінації шина/ланцюг та виконуйте вказівки щодо заточення.

UA

			<b>GSH 40 - MTH 400 - MTH 402</b>	
Акустичний тиск	<b>dB (A)</b>	$L_{pA}$ EN 11681-1 EN 22868	<b>103,2</b>	*
Похибка	<b>dB (A)</b>		<b>3,2</b>	
Вимірний рівень звукової потужності	<b>dB (A)</b>	2000/14/EC EN 22868 EN ISO 3744	<b>111,5</b>	
Похибка	<b>dB (A)</b>		<b>3,1</b>	
Гарантований рівень звукової потужності	<b>dB (A)</b>	$L_{WA}$ 2000/14/EC EN 22868 EN ISO 3744	<b>115</b>	
Рівень вібрації	<b>m/s<sup>2</sup></b>	EN 11681-1 EN 22867 EN 12096	<b>6,9 (Sx) 7,1 (Dx)</b>	*
Похибка	<b>m/s<sup>2</sup></b>	EN 12096	<b>1,9 (Sx) 1,9 (Dx)</b>	
<b>* Оцінні середні величини (1/3 мінімум, 1/3 повне навантаження, 1/3 макс. швидкість на холостому ходу)</b>				



## 11. ДЕКЛАРАЦІЯ ВІДПОВІДНОСТІ

Я, нижчепідписаний, **ЕМАК spa via Fermi, 4 - 42011 Bagnolo in Piano (RE) ITALY**

заявляю під свою відповідальність, що машина:

1. Назва виробу: **Ланцюгова пила (бензопила)**

2. Марка: / Тип: **OLEO-MAC GSH 40 / EFCO MTH 400 - MTH 402**

3. серійний номер: **825 XXX 0001 - 825 XXX 9999**

відповідає вимогам Директиви /  
Регламенту з наступними змінами та  
доповненнями **2006/42/EC - 2014/30/EU - 2000/14/EC - 2011/65/EU**

відповідає вимогам наступних  
гармонізованих норм: **EN ISO 11681-1:2011 - EN 55012:2007 -  
EN 55012:2007/A1:2009 - EN ISO 14982:2009**

відповідає моделі, яка отримала  
сертифікат ЄС № **EPT 0477.MAC.19/3235 (GSH 40)  
EPT 0477.MAC.19/3236 (MTH 400)**

Нотифікований орган для Директиви  
2000/14/EC **Eurofins Product Testing Italy S.r.l. - v. Courgnè, 21 -  
10156 Torino (TO) - Italy n° 0477**

Процедури, застосовані для оцінки  
відповідності **Annex V - 2000/14/EC**

Вимірний рівень звукової потужності: **111,5 dB(A)**

Гарантований рівень звукової потужності: **115 dB(A)**

Виготовлено в: **Bagnolo in piano (RE) Italy - via Fermi, 4**

Дата: **20/07/2019**

Технічна документація зберігається в: **Адміністративному відділі - Технічний керівник**

  
 **Emak**<sup>®</sup>  
s.p.a.  
Fausto Bellamico - President

UA

## 12. ГАРАНТІЙНИЙ СЕРТИФІКАТ

Даний виріб розроблено і виготовлено відповідно до найсучасніших виробничих технологій. Фірма виробник дає гарантію на нього на термін двадцять чотири (24) місяці з дня придбання у разі його використання в особистих цілях/в якості хобі. Гарантія обмежується 12 місяцями у разі його професійної експлуатації.

### Загальні гарантійні умови

- 1) Гарантійний термін встановлюється, починаючи з моменту придбання даного виробу. Компанія через свою торговельну мережу і мережу центрів технічної підтримки забезпечує безкоштовну заміну деталей, що мають дефекти вихідних матеріалів або виготовлення. Договір гарантії не впливає на права покупця, забезпечувані законодавством у відношенні наслідків дефектів або браку проданого виробу.
- 2) Технічний персонал фірми виконає гарантійні роботи максимально швидко в межах часу, обумовленого організаційними вимогами.
- 3) **Для одержання гарантійного обслуговування необхідно пред'явити уповноваженим представникам повністю заповнений нижченаведений гарантійний талон з печаткою дилера, а також чек, що підтверджує дату покупки.**
- 4) Виріб не підлягає гарантійному обслуговуванню:
  - За очевидної відсутності обслуговування виробу,
  - У разі порушення умов експлуатації виробу або порушення конструкції,
  - Використання неналежного палива або мастила,
  - Використання запчастин або приладдя, що не є фірмовими,
  - Якщо ремонт виробу робився самостійно або в неавторизованій майстерні.
- 5) Фірма-виробник не надає гарантії на вузли, що швидко зношуються під час звичайної роботи і видаткові матеріали.
- 6) Гарантія не передбачає вдосконалення або поліпшення виробу.
- 7) Гарантія передбачає запуск і техобслуговування, виконувани в період гарантійного терміну
- 8) Претензії щодо ушкоджень, заподіяних при транспортуванні, повинні негайно пред'являтися транспортувальнику, інакше умови гарантії можуть бути анульовані.
- 9) Для двигунів інших марок (Briggs & Stratton, Subaru, Honda, Kipor, Lombardini, Kohler та ін.), встановлених на наших виробках, зберігається гарантія їхніх виробників.
- 10) Гарантія не покриває прямий або непрямий збиток, що може бути заподіяний людям або їх власності, внаслідок несправності виробу або його вимушеного простою.

МОДЕЛЬ

\_\_\_\_\_

СЕРІЙНИЙ  
НОМЕР

\_\_\_\_\_

ПОКУПЕЦЬ

\_\_\_\_\_

\_\_\_\_\_

\_\_\_\_\_

ДАТА

\_\_\_\_\_

ПРОДАВЕЦЬ

\_\_\_\_\_

Не надсилати окремо! Додати до заявки на надання гарантійної технічної допомоги

### 13. ПОШУК ТА ВИРІШЕННЯ ПРОБЛЕМ



**УВАГА:** завжди зупиняйте машину та від'єднуйте свічку запалювання перед початком виконання усіх операцій, перелічених у таблиці нижче, за винятком випадків, коли їх виконання необхідне для роботи машини.

Якщо після перевірок усіх можливих причин несправності залишається, зверніться до уповноваженого сервісного центру. В разі виявлення несправності, не вказаній у таблиці, зверніться до уповноваженого сервісного центру.

НЕСПРАВНІСТЬ	МОЖЛИВІ ПРИЧИНИ	УСУНЕННЯ
Двигун не заводиться або гложне через декілька секунд після заведення.	<ol style="list-style-type: none"> <li>Відсутність іскри запалювання.</li> <li>Заклинювання двигуна.</li> </ol>	<ol style="list-style-type: none"> <li>Перевірити іскру запалювання свічки. Відсутність іскри запалювання, повторити тест з новою свічкою (L8RTF).</li> <li>Виконайте процедуру, описану на стор. 80 Якщо двигун знову не заводиться, повторіть процедуру, замінивши свічку.</li> </ol>
Двигун заводиться, але не набирає потрібних обертів або неправильно працює на високій швидкості.	Відрегулювати карбюратор.	Зверніться до уповноваженого сервісного центру для регулювання карбюратора.
Двигун не розвиває повної швидкості і/або надто димить.	<ol style="list-style-type: none"> <li>Перевірити суміш мастило / бензин.</li> <li>Забруднений повітряний фільтр.</li> <li>Відрегулювати карбюратор.</li> </ol>	<ol style="list-style-type: none"> <li>Залити свіжий бензин та мастило, що підходить для 2-тактових двигунів.</li> <li>Почистити: див. вказівки у розділі «Технічне обслуговування повітряного фільтра».</li> <li>Зверніться до уповноваженого сервісного центру для регулювання карбюратора.</li> </ol>
Двигун заводиться, набирає обертів, збільшує швидкість, але не працює на холостому ходу.	Відрегулювати карбюратор.	Відрегулювати положення гвинта холостого ходу «Т» (Мал. 30) за годинниковою стрілкою для збільшення швидкості; див. розділ «Технічне обслуговування карбюратора».
Під час роботи шина й ланцюг нагріваються й димлять.	<ol style="list-style-type: none"> <li>Бак для мастила ланцюга порожній</li> <li>Надто тугий натяг ланцюга</li> <li>Порушення у роботі системи змащування</li> </ol>	<ol style="list-style-type: none"> <li>Бак мастила слід наповнювати щоразу, коли наповнюється бак палива.</li> <li>Натяг ланцюга; див. інструкції в розділі «Монтаж шини й ланцюга» (Стор. 77)</li> <li>Залиште двигун працювати на повній потужності протягом 15-30 секунд. Зупиніть двигун та перевірте, чи присутні на кінчику шини краплини мастила. Якщо мастило присутнє, причиною порушення роботи може бути слабкий натяг ланцюга або пошкодження шини. Якщо мастило відсутнє, зверніться до уповноваженого сервісного центру.</li> </ol>
Двигун заводиться і працює, але ланцюг не обертається	<ol style="list-style-type: none"> <li>Увімкнене гальмо ланцюга</li> <li>Надто тугий натяг ланцюга</li> <li>Монтаж шини та ланцюга</li> <li>Пошкоджена шина і/або ланцюг</li> <li>Муфта зчеплення і/або зубчасте коліща пошкоджені</li> </ol>	<ol style="list-style-type: none"> <li>Виключіть гальмо ланцюга; див. розділ «Експлуатація - Гальмо ланцюга» (Стор. 81).</li> <li>Натяг ланцюга; див. інструкції в розділі «Монтаж шини й ланцюга» (Стор. 77)</li> <li>Див. інструкції в розділі «Монтаж шини й ланцюга» (Стор. 77)</li> <li>Див. інструкції у розділі «Технічне обслуговування шини і/або ланцюга» (Стор. 83).</li> <li>Замінити, якщо необхідно; зверніться до уповноваженого сервісного центру.</li> </ol>



**УВАГА:** ніколи не торкайтеся ланцюга при працюючому двигуні.

## PRIJEVOD IZVORNIH NAPUTAKA

### Cijenjenim kupcima

Zahvaljujemo Vam na odabiru proizvoda Emak. Naša mreža prodavača i ovlaštenih radionica stoji Vam na raspolaganju za sve potrebe.

### UVOD

Ako želite pravilno koristiti ovaj stroj i izbjeći nesretne slučajeve, nemojte započinjati s radom prije nego što pažljivo pročitate ove upute. Ovaj priručnik sadrži pojašnjenja o radu svakog pojedinog dijela i neophodne informacije o obaveznim kontrolama i radovima na održavanju. **NAPOMENA. Opisi i slike sadržane u ovom priručniku ne predstavljaju nikakvu obvezu za Proizvođača. Proizvođač pridržava pravo unošenja izmjena bez obveze ažuriranja ovih uputa.**

Osim uputa za uporabu i održavanje, ovaj priručnik sadrži informacije koje zahtijevaju posebnu pažnju. Te informacije su označene simbolima opisanim u nastavku:

**PAŽNJA:** kad postoji rizik od nesreća ili osobnih ozljeda - pa i smrtnih - ili od ozbiljnih oštećenja stvari.

**OPREZ:** kad postoji rizik od oštećenja jedinice ili pojedinih njenih komponenti.

#### PAŽNJA

**OPASNOST OD OŠTEĆENJA SLUHA**  
U UOBIČAJENIM UVJETIMA RADA,  
RUKOVATELJ SE PRI UPORABI OVOG  
STROJA DNEVNO IZLAŽE RAZINI BUKE  
JEDNAKOJ ILI VIŠOJ OD **85 dB (A)**

## KAZALO

1. OBJAŠNJENJE SIMBOLA I UPOZORENJA ZA SIGURNOST _____	92
2. SASTAVNI DIJELOVI MOTORNA PILE _____	92
3. SIGURNOSNI PROPISI _____	92
4. MONTAŽA VODILICE I LANCA _____	94
5. POKRETANJE _____	94
6. OBUSTAVA MOTORA _____	97
7. KORIŠTENJE _____	97
8. ODRŽAVANJE _____	99
9. USKLADIŠTAVANJE _____	103
10. TEHNIČKI PODACI _____	104
11. IZJAVA SUGLASNOSTI _____	106

12. GARANTNI LIST _____	107
-------------------------	-----

13. OTKLANJANJE KVAROVA _____	108
-------------------------------	-----

## 1. OBJAŠNJENJE SIMBOLA I UPOZORENJA ZA SIGURNOST (sl.1)

1. Pročitajte uputstva za korištenje i održavanje prije nego što pristupite korištenju ove pile
2. Navucite kacigu, zaštitne naočale i slušalice
3. Vrsta stroja: **MOTORNA PILA**
4. Akustične snage
5. Serijski broj
6. Oznaka usklađenosti CE
7. Godina poizvodnje
8. Primer kuglica
9. Kočnica lanca, aktivirana (lijevo). Kočnica lanca, neaktivirana (desno).
10. **PAJNJA!** Površine mogu biti vruće.

## 2. SASTAVNI DIJELOVI MOTORNE PILE (sl. 2)

1. Poluga startera
2. Poluga gasa
3. Poluga obustave gasa
4. Vijci za podešavanje rasplinjača
5. Poluga inercijski aktivirajuće kočnice
6. Ispusna cijev
7. Lanac
8. Vodilica
9. Poklopac filtera zraka
10. Prekidač uzemljenja
11. Čep spremnika goriva
12. Rukohvat paljenja
13. Čep spremnika ulja
14. Primer kuglica
15. Vijak bočnog stezača lanca
16. Prednji držak
17. Stražnji držak
18. Štitnik vodilice

## 3. SIGURNOSNI PROPISI

**⚠ NAPOMENA - Ako se pravilno koristi, ova motorna pila je zasigurno brz, spretan i učinkovit radni alat. Nepropropisno korištenje i zanemarivanje potrebnih mjera predostrožnosti može vas izložiti**

**opasnostima. Radit ćete uvijek na siguran način i sa zadovoljstvom ako pažljivo slijedite dole navedene sigurnosne propise, kao i one koje ćete naći dalje u uputstvima.**

**⚠ PAŽNJA: Sustav za paljenje vašeg uređaja proizvodi elektromagnetsko polje vrlo niskog intenziteta. To polje može utjecati na pojedine pacemakere. Radi umanjenja opasnosti od teških ili smrtonosnih ozljeda, osobe s pacemakerom bi, prije korištenja ovoga stroja, trebale potražiti savjet od liječnika, kao i od proizvođača pacemakera.**

**⚠ PAŽNJA! – Državni propisi mogu ograničavati uporabu stroja.**

1. Nemojte koristiti motornu pilu ako niste na specifičan način podučeni o uporabi. Neiskusni rukovatelj se mora uvježbati prije korištenja na radnom području.
2. Motornu pilu smiju upotrebljavati samo odrasle osobe koje su radno sposobne i upoznate s propisima za korištenje.
3. Nemojte upotrebljavati motornu pilu ako ste fizički premoreni, odnosno pod utjecajem alkohola, droga ili lijekova.
4. Nemojte nositi šalove, narukvice ili odjeću koja može lako zapeti za dijelove uređaja ili za lanac. Oblačite pripijenu odjeću koja vas ujedno zaštićuje od povreda.
5. Obucite zaštitne cipele protiv klizanja, rukavice, naočale, slušalice i zaštitnu kacigu.
6. Nemojte dozvoliti drugim osobama da se zadržavaju u radnom djelokrugu motorne pile prilikom uključivanja ni tijekom rezanja.
7. Nemojte pristupiti rezanju dok radni djelokrug nije potpuno slobodan od raznih zapreka. Nemojte rezati u blizini električnih kabela.
8. Kad režete pazite da vaš položaj bude uvijek siguran i stabilan.
9. Upotrebljavajte motornu pilu samo u dobro prozračenim prostorijama, nipošto u eksplozivnom ili zapaljivom ambijentu ili u zatvorenim prostorijama.
10. Nemojte dirati lanac niti izvršavati radove na održavanju ako je motor upaljen.
11. Zabranjeno je na prijenosnik snage motorne pile priključivati bilo kakav uređaj kojeg nije dostavio proizvođač.
12. Pazite da su sve naljepnice sa znakovima

opasnosti i sigurnosti u savršenom stanju. U slučaju oštećenja ili propadanja treba ih odmah zamijeniti (sl. 1).

13. Nemojte koristiti uređaj u svrhe drugačije od onih navedenih u priručniku (vidi str. 98).
14. Ne ostavljajte stroj s upaljenim motorom.
15. Kontrolirajte svakodnevno motornu pilu i budite sigurni da sve funkcije - sigurnosni i ostali sustavi - pravilno rade.
16. Slijedite uvijek savjete koje vam propisujemo za radove na održavanju.
17. Nemojte upotrebljavati motornu pilu koja je oštećena, nepropisno popravljena, nepravilno montirana ili pak prepravljena. Nemojte skidati, oštećivati ili onemogućiti rad bilo kojeg sigurnosnog sistema. Upotrebljavajte samo vodilice koje poštuju dužine navedene u tablici.
18. Nemojte izvoditi sami zahvate ili popravke na motornoj pili koji ne spadaju pod normalne radove održavanja. Obavezno se obratite ovlaštenim i specijaliziranim radionicama.
19. Nemojte paliti motornu pilu ako štitnik lanca nije montiran.
20. Ako smatrate da je radni vijek motorne pile okončan, nemojte ostavljati uređaj u okolišu već ga vratite ovlaštenom prodajnom mjestu koje će se pobrinuti za propisno odlaganje.
21. Izručite ili posudite motornu pilu samo iskusnim osobama koje su upoznate s radom i pravilnom upotrebom uređaja. Zajedno s pilom izručite i uputstva za korištenje koja se obvezno čitaju prije pristupanja radu.
22. Obratite se svaki put vašem prodajnom mjestu za bilo koje razjašnjenje ili važniji zahvat.
23. Pažljivo čuvajte ova uputstva i konzultirajte ih prije svakog korištenja pile.
24. Zapamtite da je vlasnik ili rukovatelj odgovoran za nesreću ili opasnost koju pretrpe treće osobe ili koja je nanešena njihovom vlasništvu.

## **ZAŠTITNA ODJEĆA ZA VAŠU SIGURNOST**

**⚠ Većina nesreća s motornom pilom se dešava jer lanac zahvati rukovatelja. Kad koristite motornu pilu, iz sigurnosnih razloga uvijek nosite zaštitnu homologiranu odjeću.** Korištenje zaštitine opreme ne uklanja u potpunosti opasnost od ozljeda, ali smanjuje težinu štete u slučaju nezgode. Pitajte za

savjet ovlaštenog prodavača prilikom odabira odgovarajuće odjeće.

Odjeća mora biti prikladna i ne smije vas ometati u radu. Nosite odjevne predmete koje dobro prijanjaju uz tijelo i zaštićuju vas od rezova. **Zaštitna jakna, hlače s tregerima i zaštitne nogavice s ojačanjem protiv rezova proizvođača predstavljaju idealno rješenje.** Nemojte nositi odjeću, šalove, kravate ili privjeske koji bi se mogli zakačiti o drva ili u grmlju. Vežite i zaštitite dugu kosu (na primjer, maramom, kapom, kacigom, itd.).

**Nosite zaštitne cipele ili čizme koje su opremljene posebnim potplatom protiv klizanja i čeličnom kapicom.**

**Nosite zaštitnu kacigu** ako ste izloženi padu predmeta.

**Nosite zaštitne naočale ili zaštitni vizir!**

**Zaštitite se od buke prilikom rada, na primjer, zaštitnim slušalicama** ili čepovima. Nošenje opreme za zaštitu sluha podrazumjeva veću pažljivost i opreznost prilikom rada, pošto ograničavaju mogućnost zapažanja zvučnih signala koji naznačuju opasnost (galamu, alarme, itd.).

**Navucite rukavice koje vas zaštićuju od rezova.**

#### 4. MONTAŽA VODILICE I LANCA

**⚠ PAŽNJA - Za vrijeme montaže uvijek nosite rukavice. Koristite samo vodilicu i lanac koje preporučuje proizvođač (str. 104).**

- Povucite štitnik (sl. 3) prema prednjem rukohvatu i provjerite da nije stavljena kočnica lanca.
- Odstranite matice (A) i rasklopite štitnik lanca (B, sl. 4).
- Uklonite kartonski odstojnik navučen na usadne vijke vodilice (C, sl. 5).
- Potpunim odvijanjem vijka stezača lanca (L) dovedite zapirač stezača lanca (D, sl. 5) na kraj hoda.
- Postavite vodilicu (F, sl. 5) na skrivene vijke (N).
- Postavite lanac (H, sl. 6) u kalem (E) i na utor vodilice (M). Pazite na smjer okretanja lanca

(sl. 8).

- Stavite štitnik lanca u zasebno ležište pa - držeći ga pritisnutog na vodilicu - navijte vijak stezača lanca (L, sl. 7), kako bi zapirač (D, sl. 5) zasjeo u otvor vodilice (G).
- Postavite štitnik lanca i njegove matice bez pričvršćivanja.
- Zategnite lanac pomoću vijka stezača lanca (L, sl. 7).
- Stisnite do kraja matice štitnika lanca držeći uzdignuti vrh vodilice (sl. 9). Pooštavanje okretni moment od 1,5 kgm (15 Nm). Lanac se podešava pazeći da bude pravilno zategnut i da klizi jednostavnim pokretom ruke (sl. 10).
- Lanac je postigao pravilnu zategnutost kad ga povlačenjem prema gore možete odmaknuti za koji milimetar (sl. 10).

**⚠ PAŽNJA - Uvijek održavajte ispravnu zategnutost lanca.** S prelabavim lancem rizik od povratnog udarca je veći, a može i izaći iz žlijeba vodilice: te situacije mogu štetiti rukovatelju i lancu. Prelabavi lanac će prouzročiti brzo trošenje samog lanca, vodilice i zupčanika. Naprotiv, preuski lanac izaziva preopterećenje motora koji se može i oštetiti. **Ispravno zategnuti lanac omogućuje bolje karakteristike piljenja i sigurnost te dugi radni vijek samog lanca.** Trajanje lanca ovisi o ispravnoj zategnutosti, ali i o pravilnom podmazivanju.

#### 5. POKRETANJE

**GORIVO**

**⚠ PAŽNJA: benzin je krajnje zapaljivo gorivo. Budite krajnje oprezni prilikom rukovanja benzinom ili mješavinom goriva. Nemojte pušiti ni približavati vatru ili plamen gorivu ni motornoj pili.**

- Kako biste smanjili opasnost od izbijanja požara ili od zadobivanja opekлина, gorivom rukujte pažljivo. Ono je vrlo zapaljivo.
- Protresite i stavite gorivo u posudu namijenjenu za njegovo držanje.
- Promiješajte gorivo na otvorenom, gdje nema iskri ili plamena.
- Namjestite na tlo, zaustavite motor i ostavite da se ohladi prije nego što ćete nadoliti gorivo.
- Polako odvijte poklopac za gorivo kako bi se

otпустиo unutrašnji tlak i da biste izbjegli istjecanje goriva.

- Poslije nalijevanja, čvrsto pritegnite poklopac goriva. Trešnja može biti uzrokom odvijanja poklopca te istjecanja goriva.
- Posušite gorivo koje je isteklo iz uređaja. Prije pokretanja motora, stroj premjestite na 3 metra udaljenosti od mjesta na kojem ste nalijevali gorivo.
- Nemojte nikada i ni u kojim uvjetima pokušavati zapaliti gorivo koje je isteklo.
- Nemojte pušiti za vrijeme rukovanja gorivom ili dok motorna pila radi.
- Gorivo skladištite na svježem, suhom i dobro prozračenom mjestu.
- Nemojte skladištiti gorivo na mjestima gdje ima suhog lišća, slame, papira, itd.
- Uređaj i gorivo pohranjajte na mjestima gdje isparenja goriva neće moći doći u doticaj s iskrama ili otvorenim plamenom, grijačima vode za grijanje, električnim motorima ili prekidačima, pećnicama, itd.
- Dok je motor u pogonu, nemojte skidati poklopac sa spremnika goriva.
- Ne koristite gorivo kao sredstvo za čišćenje.
- Pazite da ne prolijete gorivo po vlastitoj odjeći.



Ovaj se uređaj pokreće pomoću dvotaktnog motora i koristi pripremljenu mješavinu benzina i ulja za dvotaktne motore. Pripremite mješavinu bezolovnog benzina i ulja za dvotaktne motore u čistoj posudi namijenjenoj držanju benzina.

**PREPORUČUJE SE GORIVO:** OVAJ JE MOTOR CERTIFICIRAN ZA RAD S BEZOLOVNIM BENZINOM OD 89 OKTANA ZA AUTOMOBILE ((R + M) / 2) ILI S VIŠIM OKTANSKIM BROJEM.

Shodno uputama na ambalaži, promiješajte ulje za dvotaktne motore s benzinom.

Savjetujemo vam da rabite ulje za dvotaktne motore Oleo-Mac/Efco s **2% (1:50)**, koje je specijalno pripravljeno za sve dvotaktne motore hladene zrakom.

Ispravni omjeri ulja i goriva naznačeni u pregledu pogodni su kod uporabe motornog ulja Oleo-Mac/Efco **PROSINT 2** i **EUROSINT 2** ili drugog istovrijednog, visoko kvalitetnog motornog ulja (**po specifikacijama JASO FD ili ISO L-EGD**).

BENZIN	ULJE	
		
	2% - 50:1	
ℓ	ℓ	(cm <sup>3</sup> )
1	0,02	(20)
5	0,10	(100)
10	0,20	(200)
15	0,30	(300)
20	0,40	(400)
25	0,50	(500)

**⚠ OPREZ: NE RABITE ULJE ZA MOTORNA VOZILA, NITI ULJE ZA VANBRODSKE DVOTAKTNE MOTORE.**

**⚠ OPREZ:**

- Kupujte isključivo količine goriva koje odgovaraju vašoj potrošnji; ne kupujte ga više od količine koju ćete potrošiti za jedan ili dva mjeseca;
- pohranjajte benzin u hermetički zatvorenoj posudi, na svježem i suhom mjestu.

**⚠ OPREZ - Za mješavinu nemojte nikad koristiti gorivo s postotkom etanola većim od 10%; prihvatljiviji su gasohol (mješavina benzina i etanola) s postotkom etanola do 10% ili gorivo E10.**

**NAPOMENA** - Pripremite samo količinu mješavine koja vam je potrebna: nemojte je držati dugo vremena u spremniku ili u kanti. Savjetujemo korištenje **Emakovog** stabilizatora goriva **ADDITIX 2000**, šif. 001000972, koji omogućuje očuvanje mješavine u trajanju od 12 mjeseci.

**Alkilatni benzin**

**⚠ OPREZ - Alkilatni benzin nije iste gustoće kao i onaj normalni. Stoga motori koji su regulirani normalnim benzinom mogu zahtijevati drugačije podešavanje vijka H. Za vršenje te radnje trebate se obratiti ovlaštenom servisnom centru.**

**NALIJEVANJE GORIVA**

Promješajte gorivo u kanti prije nego što ga ulijete u spremnik.

**⚠ PAŽNJA:** pri rukovanju gorivom pridržavajte se sigurnosnih naputaka. Prije dolijevanja goriva, uvijek ugascite motor. Nemojte nikad dolijevati gorivo u stroj dok motor radi ili je topao. Prije pokretanja motora, premjestite se barem 3 m od mjesta na kome ste nalijevali gorivo. **NEMOJTE PUŠITI!**

1. Očistite površinu oko poklopca za gorivo kako biste izbjegli njegovo zagađivanje.
2. Polako odvijte poklopac za gorivo.
3. Pažljivo ulijte mješavinu goriva u spremnik. Pazite da se ne proljeje.
4. Prije vraćanja poklopca na mjesto, očistite i provjerite brtvu.
5. Odmah vratite poklopac goriva na mjesto i ručno ga pritegnite. Uklonite gorivo koje se eventualno izlilo.

**⚠ PAŽNJA:** provjerite da nema istjecanja goriva, a ukoliko do njih dođe, uklonite ih prije uporabe. Ukoliko se ukaže potrebnim, stupite u vezu sa službom tehničke pomoći vašega prodavača.

#### **ULIJEVANJE ULJA I PODMAZIVANJE LANCA**

Lanac podmazuje automatska pumpa koja ne zahtjeva nikakvo održavanje. Pumpa za ulje je tvornički podešena za dotok dovoljne količine ulja i pod uvjetima otežanog rada. Smatraju se uobičajenim eventualna iskapanja ulja prilikom rezanja tankog drva.

- Tijekom rada kontrolirajte preostalu količinu ulja (13, Slika 2).
- Nadolijte ulje svaki put kad se razina u spremniku spusti do minimalnog ureza.
- Nakon nadolijevanja uključite motor u praznom hodu 2 il 3 puta tako da ponovno uspostavite pravilni dotok ulja.
- Nemojte izvršavati popravke eventualnih kvarova, već se obratite ovlaštenom prodajnom mjestu.

Pravilno podmazivanje lanca prilikom različitih faza rezanja svodi do minimalne razine trošenja lanca i vodilice, garantirajući na taj način produženo trajanje. Upotrebljavajte uvijek ulje visoke kvalitete.

**⚠ NAPOMENA – Zabranjeno je korištenje već upotrebljenog ulja! Upotrebljavajte uvijek biološki razgradivo**

motorno ulje za vodilice i lance koje poštuju u svemu norme o zaštiti okoliša (eco-lube Oleo-Mac/Efco), zdravlja korisnika i trajanja dijelova motorna pile.

**⚠ Prije nego što upalite motor, provjerite da lanac ne dodiruje nikakav predmet.**

**⚠ Ako je motor upaljen, držite uvijek čvrsto prednji rukohvat lijevom, a stražnji desnom rukom (sl. 11).**

- Nemojte se naginjati i nemojte piliti iznad visine ramena; kod držanja električne pile u visokom položaju teško je kontrolirati i svladati tangencijalnu snagu (kickback).
- **Provjerite da su svi dijelovi tijela na dovoljnoj udaljenosti od lanca i ispušne cijevi.**
- **Ovih se uputa trebaju pridržavati i lijevoruke osobe. Zadržite položaj tijela prikladan za rezanje.**

**⚠ Izlaganje vibracijama može biti štetno za osobe koje imaju problema s krvotokom ili sa živčanim sustavom. Obratite se liječniku ako se pojave tjelesni simptomi kao što su utrnulost, pomanjkanje osjetljivosti, smanjenje normalne snage ili promjena boje kože. Ti simptomi obično se pojavljuju u prstima, šakama ili zapešćima.**

#### **Motor je preplavljen**

- Namjestite prekidač uključeno/isključeno na **STOP** (B, sl. 13).
- Odvijte vijak na poklopcu (A, sl. 27).
- Skinite poklopac.
- Sustavom poluge podignite sjedište svjeće.
- Odvijte i osušite svjećicu.
- Širom otvorite upusni priklopac.
- Povucite konop startera nekoliko puta da bi se komora za sagorijevanje očistila.
- Ponovno namjestite svjećicu i spojite njeno sjedište, pritisnite ga **čvrsto** prema dole i sklopite druge dijelove.
- Namjestite čok na položaj **OTVORENO** - iako je motor hladan.
- Sad pokrenite motor.

**⚠ NAPOMENA – Motornu pilu nemojte ni u kom slučaju pokretati ako vodilica, lanac i štitnik kvačila (kočnica lanca) nisu montirani -**



kvačilo se može **otпустiti** i prouzročiti **tjelesne** povrede.

## UKLJUČIVANJE MOTORA

**Kočnica lanca mora biti aktivirana prilikom pokretanja motorne pile. Aktivirajte kočnicu lanca guranjem ručice kočnice lanca / štitnika za ruku naprijed (prema vodilici), u položaj aktivirane kočnice (sl. 12).** Napunite rasplinjač pritiskom na kuglicu (A, sl. 14). Pritisnite polugu startera (B, sl.14A) sasvim prema dole (1). Odložite motornu pilu na pod i odaberite siguran položaj. Provjerite da se lanac okreće bez dodirivanja vanjskih predmeta. Prije pokretanja motora, uvjerite se da motorna pila ne dodiruje nikakav predmet. Nikad ne pokušavajte pokrenuti motornu pilu ako se vodilica nalazi u rezu. Lijevo rukom držite prednji rukohvat, istovremeno uvucite desnu nogu na oslonac stražnjeg rukohvata (sl. 15). Povucite nekoliko puta konop za paljenje, sve dok ne dođe do **prvog praska**. Stavite polugu startera (B, sl.14B) u srednji položaj (2). Pokrenite motor povlačeći konop za paljenje. Kad se motor pokrene, otkočite kočnicu lanca i **počekajte nekoliko sekundi**. Zatim pokrenite polugu gasa (C, sl. 13) da bi ste otkočili polugu automatskog polugasa.

**⚠ NAPOMENA - Ako je motor već ugrijan, kod paljenja nemojte koristiti starter.**

**⚠ NAPOMENA - Poluga polugasa koristi se isključivo u fazi paljenja motora.**

## RAZRAĐIVANJE MOTORA

Motor dostiže svoju maksimalnu snagu nakon 5÷8 sati rada.

Tijekom ovog vremena razrađivanja, a da bi se izbjeglo pretjerano naprezanje motora, nemojte puštati da motor radi "na prazno" uz maksimalan broj okretaja.

**⚠ PAŽNJA! - Tijekom razrađivanja nemojte podešavati rasplinjač s namjerom povećanja snage: motor bi se mogao oštetiti.**

**NAPOMENA: normalna je pojava da novi motor izbacuje dim tijekom i nakon prvog korištenja.**

## RAZRAĐIVANJE LANCA

Podešavanje smijete obavljati samo ako je lanac

hladan. Zaokrenite ručno lanac i podmažite ga dodatnom količinom ulja. Ostavite motor upaljen nekoliko minuta pri umjerenoj brzini i kontrolirajte da li uljna pumpa radi kako treba. Nakon što ste ugасili motor, podesite zategnutost lanca. Ponovno upalite motor i izvršite par rezova. Nakon toga ugасite motor i provjerite još jednom zategnutost lanca. Ponovite radnju sve dok lanac ne dostigne svoju maksimalnu rastegnutost. Nemojte dodirivati teren lancem.

**⚠ NAPOMENA - Nemojte nikad dodirivati lanac ako je motor upaljen. Nemojte dodirivati teren lancem.**

## 6. OBUSTAVA MOTORA

Otpustite polugu gasa stavljajući motor na minimum (C, sl. 12). Ugасite motor podizanjem poluge startera (B, sl.13) sasvim prema gore (3).

**⚠ Nemojte odlagati električnu pilu na pod ako je lanac još uvijek u pokretu.**

## 7. KORIŠTENJE

Dugotrajno udisanje ispušnih plinova motora, raspršenog ulja za lanac i prašine od piljenja može predstavljati rizik za zdravlje.

## SUSTAV PROTIV POLEDICE

**Kod temperatura nižih od 0°C** namjestite klizač (A, sl.33) na položaj "zima". Na taj način, pored hladnog zraka usisava se i topao zrak iz cilindra pa se u rasplinjaču neće stvoriti led.

**Kod temperatura viših od +10°C vratite klizač (A, sl.34) u položaj "ljetno". U protivnom, moglo bi doći do nepravilnosti u radu motora uslijed prezagrijavanja.**

## KOČNICA LANCA

Inercijski aktivirajuća kočnica lanca je uređaj koji uveliko povećava sigurnost u korištenju motorne pile. Zaštićuje korisnika od eventualnih opasnih povratnih udara do kojih bi moglo doći tijekom raznih faza rada. Njezino uključivanje prouzročit će neposrednu obustavu lanca; uključuje se čim korisnik pritisne odgovarajuću polugu (ručno uključivanje) ili se automatski odnosno inercijski aktivira čim se štitnik pomakne unaprijed (sl. 16) u slučaju iznenadnog povratnog udara

(inercijsko aktiviranje). Kočnica lanca se otpušta ako povučete polugu prema vama (sl. 3).

### KONTROLA RADA KOČNICE

Kad pristupate kontroli uređaja, prije nego što izvršite bilo koju radnju, provjerite rad kočnice slijedeći ovaj redoslijed:

1. Uključite motor i čvrsto dohvatite rukohvate objema rukama.
2. Povucite polugu gasa kako biste stavili u pokret lanac, gurnite polugu kočnice prema naprijed lijevom nadlanicom (Slika 11).
3. Kad je kočnica uključena lanac se odmah obustavlja; otpustite polugu gasa.
4. Iskopčajte kočnicu (Slika 3).

**ODRŽAVANJE KOČNICE:** pazite da mehanizam kočnice lanca bude uvijek čist i podmazujete sustav poluga. Pregledavajte habanost mehanizma kočnice lanca. Minimalni sloj mora iznositi **0,30 mm**.

### ZABRANJENA UPORABA

**⚠ NAPOMENA** - Slijedite uvijek sigurnosne propise. Ova motorna pila je projektirana i napravljena za piljenje grana i održavanje uspravnih stabala ili grmlja. Zabranjeno je rezanje drugih vrsta materijala. Vibracije i povratni udarci bili bi u tom slučaju različiti i ne bi poštivali postavljene sigurnosne uvjete. Nemojte upotrebljavati motornu pilu kao polugu za dizanje, premještanje ili lomljenje predmeta, nemojte niti blokirati pilu na čvrstim osloncima. Zabranjeno je priključivati na priključak motorne pile alat ili dodatnu opremu koji nisu naznačeni od strane proizvođača.

### MJERE PREDOSTROŽNOSTI ZA RADNO PODRUČJE

- Nemojte raditi blizu električnih žica.
- Radite isključivo kada vam vidljivost i raspoloživo svjetlo omogućuju da jasno vidite.
- Zaustavite motor prije nego što odložite motornu pilu.
- Budite naročito pažljivi i oprezni kad nosite zaštitna sredstva, jer ona mogu ograničiti sposobnost slušanja zvukova koji ukazuju na opasnosti (pozivi, signali, upozorenja, itd.).
- Budite izuzetno oprezni kad radite na strminama ili neravnom terenu.
- Nemojte piliti iznad visine ramena; kod držanja

motorne pile u visokom položaju teško je kontrolirati i svladati tangencijalnu silu (kickback).

- **Nemojte piliti s ljestava: to je krajnje opasno.**
- Zaustavite motornu pilu ako lanac udari u strani predmet. Pregledajte motornu pilu i ako treba, dajte popraviti oštećene dijelove. Pregledajte stroj i ako slučajno padne.
- Lanac održavajte uvijek čist od nečistoće i pijeska. Čak i kod male količine nečistoće lanac vrlo brzo počinje slabo piliti i povećava se mogućnost kickbacka.
- Pazite da rukohvati budu uvijek suhi i čisti.
- Kad režete deblo ili viseću granu, pazite da vas ne zatekne iznenadan pad prepiljenog drva.
- Budite vrlo pažljivi kad krešete manje grane ili grmlje jer se lanac može zaglaviti ili možete izgubiti ravnotežu radi iznenadnih odskoka drva.

### RADNI PROPISI

**⚠ PAŽNJA** – Obaranje stabla je radnja koja iziskuje iskustvo. Ne pokušavajte obarati stabla ako nisteiskusni. **IZBJEGLAVAJTE SVE RADNJE ZA KOJE SE NE OSJEĆATE OSPOSOBLJENI!** Neiskusnim rukovateljima preporučujemo da ne obaraju stabla čiji je promjer debla veći od dužine vodilice. Ako se motorna pila upotrebljava po prvi put, izvršite pripremne rezove na čvrstom deblu kako bi ste dostigli određenu sigurnost u rukovanju. Prilikom rezanja dodajte gas do maksimuma. Nemojte vršiti pretjerani pritisak na motornu pilu; već sama njezina težina omogućuje maksimalnu efikasnost rezanja s minimalnim naporom.

**⚠ NAPOMENA** - Nemojte raditi po ružnom vremenu, slaboj vidljivosti, na vrlo niskim ili vrlo visokim temperaturama. Provjerite da nema suhih grana koje bi mogle pasti.

### OBARANJE DEBLA

Prilikom obaranja i odsijecanja, iskoristite prisustvo kuke rabeći je kao oslonac. Prije nego što pristupite rezanju temeljito proučite stablo koje imate pred sobom i okolni teren. Udaljite od radnog djelokruga sve prepreke. Pripremite širok djelokrug da bi se mogli povući kad stablo počne padati (sl. 17). Odstranite eventualne grane s donjeg dijela debla do visine od otprilike 2 metra.

Izvršite okomit rez u odnosu na stablo koji odgovara 1/4 promjera debla; počnite s one strane na kojoj predviđate pad stabla (1 - sl. 18). Otprilike 10 cm više usjecite drugi rez koji će se spojiti sa završnim dijelom prvog reza. Na taj ćete način izvući komad drva trokutastog oblika i usmjeriti pad stabla (2 - sl. 18).

Nakon toga, sa suprotne strane pripremnog reza i 4-5 cm iznad njega (3 - sl. 18) započmite s pravljenjem glavnog reza za obaranje debla.

Ostavite obavezno prolaz između rezova (A, sl. 14-19) koji će vam omogućiti kontrolu smjera padanja debla. Umetnite klin u glavni dugi rez za obaranje debla, prije nego što se stablo počne njihati, kako biste izbjegli da vodilica motorne pile ostane zaglavljena u deblu. Ako je promjer debla veći od dužine vodilice, usjecite glavni rez za obaranje debla slijedeći redoslijed prikazan na sl. 19.

### KRESANJE GRANA

- Počnite uvijek od većeg promjera prema vrhu ako želite podrezati stablo ili otpiliti manje grane.
- Zapazite obavezno najstabilniji i najsigurniji položaj prije nego što pritisnete polugu gasa. Ako je potrebno, održavajte ravnotežu tijela oslanjajući se jednim koljenom na stablo.
- Naslonite motornu pilu na deblu da se pretjerano ne umarate; zaokrenite pilu na lijevu ili na desnu stranu ovisno o položaju grane koju podrezujete (sl. 20).
- Ako grane vise iznad vas zauzmite što sigurniji položaj da bi se zaštitili od mogućeg povratnog udarca. Počnite rezati od suprotne strane u odnosu na pregib grane.
- Prilikom piljenja grana velikog promjera, iskoristite prisustvo kuke.

**⚠ NAPOMENA - Nemojte upotrebljavati gornji rub vrha vodilice, pogotovo prilikom kresanja grana, jer se na taj način izlažete opasnosti povratnih udara.**

### SEKCIJA DEBLA

Prije nego što pristupite sekciji debla provjerite na koji je način drvo naslonjeno na nosač, kako biste mogli prerezati deblu na pravilan način izbjegavajući da se vodilica obustavi u sredini.

- Prerežite gornju stranu za otprilike 1/3 promjera (1 - sl. 21). Dovršite rezanje na donjoj strani (2 - sl. 21). To je pravilan način rezanja i

ne dozvoljava da se vodilica obustavi usred drva.

- Prerežite donju stranu za otprilike 1/3 promjera (1 - sl. 22). Dovršite rezanje na gornjem dijelu (2 - sl. 22).

**⚠ NAPOMENA - Ako drvo preklopi lanac tijekom rezanja, obustavite motor, podignite deblu i izravnajte njegov položaj (sl. 23). Nemojte pokušavati osloboditi lanac povlačeći rukohvat motorne pile.**

## 8. ODRŽAVANJE

**⚠ PAŽNJA - Prilikom radova na održavanju navucite obvezno zaštitne rukavice. Nemojte pristupati radovima na održavanju ako je motor još uvijek vruć.**

**⚠ PAŽNJA - rizik od povratnog udarca znatno je veći ako se ne slijede upute za oštrenje.**

### OŠTRENJE LANCA

Korak lanca (sl. 25) je 3/8". Navucite zaštitne rukavice kad oštrite lanac zaobljenom turpijom od Ø 4,0 mm (5/32").

Oštrite uvijek lanac s unutrašnje prema vanjskoj strani reznog dijela, poštujući vrijednosti navedene na sl. 25.

Rezne karike nakon oštrenja moraju imati jednaku širinu i dužinu.

**⚠ NAPOMENA - Lanac se oštiri svaki put kad primjetite da je strugotina vrlo sitna i vrlo slična običnoj piljevini.**

Nakon svaka 3-4 oštrenja provjerite te - ako je potrebno - izbrusite graničnik dubine plosnatom turpijom i zasebnim profiliranim kalupom koji se isporučuju na zahtjev kupca; nakon toga zaoblite gornji kut (sl. 26).

**⚠ NAPOMENA - Pravilno reguliranje graničnika dubine jednako je važno kao i propisno oštrenje lanca.**

### VODILICA

Vodilice s kalemom na vrhu obavezno se podmazuju ubrizgavajući motorno ulje zasebnom injekcijom.

Vodilica se preokreće svakih 8 radnih sati kako bi istrošenost bila ujednačena.

Strugačem koji se dostavlja na zahtjev kupca

očistite utor vodilice i otvor za podmazivanje. Provjerite da su utori vodilice paralelni, ako je potrebno, odstranite bočne izbočine plitkom turpijom.

Okrenite vodilicu i provjerite da u otvorima za podmazivanje nema nečistoće.

**⚠ NAPOMENA - Nemojte nipošto postavljati novi lanac na istrošeni kalem.**

**FILTER ZRAKA** - Okrenite okrugli držak (A, sl.27) i svakodnevno provjeravajte filter zraka (B). Otvorite filter (B) pritiskom na dva jezička (E, sl. 27). Očistite sredstvom za skidanje masnoće Emak šif. 001101009A, operite vodom i iz daljine ispušite komprimiranim zrakom iznutra prema vani. Ili: očistite vodom i sapunom. Promijenite filter ako je jako začepljen ili oštećen.

**⚠ PAŽNJA!** - Kod vraćanja filtera (B) na mjesto, dobro ga uglavite u njegov ležaj.

**FILTER ZA GORIVO** - S vremena na vrijeme provjerite stanje filtera za gorivo. Zamjenite filter ako je talog nečistoće pretjeran (sl. 28).

**ULJNA PUMPA (automatska, podesiva)** - Količina ubrizgavanja tvornički je podešena. Rukovatelj prema potrebi a pomoću vijka za podešavanje, može podesiti dovod ulja (sl. 32). Ubrizgavanje ulja moguće je samo dok je lanac u pokretu.

**⚠ NAPOMENA – Ni u kom slučaju nemojte koristiti spašeno ulje.**

**POKRETAČ** - Rebra za hlađenje kartera pokretača treba održavati slobodnim i čistim, služeći se kistom ili komprimiranim zrakom.

**MOTOR** - Povremeno očistite lopatice cilindra kistom ili komprimiranim zrakom. Taloženje nečistoća na cilindru može prouzročiti pregrijavanja koja su štetna za rad motora.

**SVJEĆICA** - Preporučuje se čišćenje svjeće s vremena na vrijeme, kao i provjera udaljenosti elektroda (sl. 29).

Koristite svjećicu TORCH L8RTF ili druge marke, ali istog termičkog stupnja.

**KOČNICA LANCA** - Ako kočnica lanca ne radi

ispravno, razmontirajte štitnik lanca i temeljito očistite sastavne dijelove kočnice. Zamjenite traku kočnice lanca kada je istrošena i/ili izobličena.

Nemojte upotrebljavati gorivo (mješavinu) za čišćenje pile.

## RASPLINJAČ

Prije nego što podesite rasplinjač, očistite konvejer paljenja, filter zraka (sl. 27) i zagrijte motor.

Vijak za prazni hod T je podešen tako da postoji dovoljan sigurnosni odmak između minimalnog režima rada i režima uključivanja kvačila.

**⚠ PAŽNJA! - kad je motor postavljen na minimum, lanac ne smije nikad biti u pokretu. U slučaju da je na minimumu lanac u pokretu, pomoću vijka T smanjite brzinu motora. Ako problem ustraje, odmah prekinite rad i obratite se ovlaštenom servisnom centru radi rješavanja problema.**

**⚠ NAPOMENA - Klimatske promjene kao i promjene nadmorske visine mogu dovesti do izmjena u radu rasplinjača. Nemojte dozvoliti da druge osobe budu u blizini motorne pile tijekom faze podešavanja rada rasplinjača.**

## IZVANREDNO ODRŽAVANJE

Preporučuje se - na kraju sezone kod intenzivne uporabe, a svake dvije godine kod uobičajenog korištenja - dati uređaj na opću provjeru specijaliziranom tehničaru naše servisne mreže.

**⚠ PAŽNJA! – Sve radove na održavanju koji nisu navedeni u ovim uputstvima treba obaviti ovlaštena radionica.** Imajte u vidu da se stalan i pravilan rad motorna pila jamči jedino ako dopunske dijelove zamijenite isključivo **ORIGINALNIM DOPUNSKIM DIJELOVIMA.**

**⚠ Eventualne neodobrene izmjene i/ili dodatni dijelovi mogu prouzročiti teške tjelesne ozljede ili čak smrt rukovatelja odnosno drugih osoba.**

## PRIJEVOZ

Kad prenosite pilu motor mora biti ugašen,

vodilica zaokrenuta unazad, a štitnik vodilice pravilno postavljen (sl. 31).

**⚠ PAŽNJA** – Prilikom prijevoza stroja na vozilu, osigurajte da je on remenjem ispravno i čvrsto pričvršćen za vozilo. Stroj treba prevoziti u vodoravnom položaju, uz osiguranje da neće doći do povrede važećih propisa za prijevoz takvih strojeva.

## TABLICA ODRŽAVANJA

Molimo zapazite da se naredni razmaci održavanja primjenjuju jedino pri normalnim uvjetima rada. Ukoliko je vaša svakodnevna radna aktivnost teža od normalne, razmake između održavanja morate sukladno skratiti.

		Prije svakog korištenja	Poslije svake pauze u svrhe dolijevanja goriva	Tjedno	Kod oštećenja ili kvara
Kompletan stroj	Pregledajte radi: curenja, pukotina i istrošenosti	X	X		
Kontrole: prekidač, starter, poluga za ubrzanje i poluga za zaustavljanje ubrzanja	Provjerite ispravnost rada	X	X		
Kočnica lanca	Provjerite ispravnost rada	X	X		
	Kontrolirajte kod ovlaštenog popravljача				X
Spremnik goriva i spremnik ulja	Pregledajte radi: curenja, rascjepa i istrošenosti	X	X		
Pročištač goriva	Pregledajte i očistite			X	
	Zamijenite uložak pročištača				X
Podmazivanje lanca	Provjerite učinkovitost	X	X		
Lanac	Pregledajte radi: oštećenja, izoštrenosti i istrošenosti	X	X		
	Provjerite zategnutost	X	X		
	Naoštrite: provjerite dubinu prolaza				X
Vodilica	Pregledajte radi: oštećenja i istrošenosti	X	X		
	Očistite žlijeb i vod ulja	X			
	Okrenite, podmažite svitak i razmažite višak			X	
	Promijenite				X
Zupčanik	Pregledajte radi: oštećenja i istrošenosti			X	
	Promijenite				X
Spojka	Pregledajte radi: oštećenja i istrošenosti			X	
	Promijenite				X
Zaustavljanje lanca	Pregledajte radi: oštećenja i istrošenosti	X	X		
	Promijenite				X
Svi dostupni vijci i matice (s iznimkom vijaka na rasplinjaču)	Pregledajte i ponovno zategnite			X	
Filter zraka	Očistite	X			
	Promijenite				X
Rebra cilindra i otvori kartera za pokretanje	Očistite			X	
Uže za pokretanje	Pregledajte radi: oštećenja i istrošenosti			X	
	Promijenite				X
Rasplinjač	Provjerite minimum (lanac se ne smije okretati na minimumu)	X	X		
Svječica	Provjerite razmak elektroda			X	
	Promijenite				X
Antivibracijski sustav	Pregledajte radi: oštećenja i istrošenosti			X	

## 9. USKLADIŠTAVANJE

Ako uređaj nećete upotrebljavati duže vrijeme:

- na dobro prozračenom mjestu spraznite i očistite spremnike goriva i ulja.
- Odložite gorivo i ulje prema propisima i poštujući okoliš.
- Za pražnjenje rasplinjača, pokrenite motor i čekajte da se zaustavi (ako mješavina ostane u rasplinjaču, mogle bi se oštetiti membrane).
- Izvadite, očistite i poprskajte zaštitnim uljem lanac i vodilicu.
- Temeljito očistite otvore za hlađenje kartera pokretačkog sklopa, filter za zrak (sl. 27) te rebra cilindra (sl. 90).
- Čuvajte stroj na suhom prostoru, po mogućnosti ne u izravnom dodiru s tlom, daleko od izvora topline i s praznim spremnicima.
- Postupak puštanja u rad nakon zimskog uskladištavanja jednak je onom koji se vrši tijekom uobičajenog pokretanja stroja (str. 94).

### ZAŠTITA OKOLIŠA

Zaštita okoliša mora predstavljati bitan i prvenstveni vid uporabe stroja, u korist civilnog suživota kao i okoliša u kojem živimo:





- Pazite da ne ometate susjede.
- Strogo se pridržavajte lokalnih propisa o odlaganju ambalaže, ulja, benzina, baterija, filtera, istrošenih dijelova i svih drugih elemenata štetnih za okoliš; te otpatke se ne smije bacati u smeće, nego ih treba razdvojiti i predati odgovarajućim centrima za skupljanje, koji će se pobrinuti za recikliranje materijala.

### Rashodovanje i odlaganje

U trenutku rashodovanja nemojte ostavljati stroj u okolišu nego se obratite centru za skupljanje. Dobar dio materijala korištenih u proizvodnji stroja može se reciklirati; sve metale (čelik, aluminij, mesing) možete predati običnom sakupljalištu za spašavanje željeza. Za informacije se obratite službi za skupljanje otpada na vašem području. Odlaganje otpada dobivenog od rashodovanja ovog stroja treba izvršiti poštujući okoliš te sprečavajući zagađivanje tla, zraka i vode.

**U svakom slučaju, treba poštivati lokalne zakone na snazi po tom pitanju.**

## 10. TEHNIČKI PODACI

	GSH 40 - MTH 400 - MTH 402	
Zapremina cilindra	38.9 cm <sup>3</sup>	
Motor	2 taktni Emak	
Snaga	1.7 kW	
Minimalni broj okretaja	3.000 min <sup>-1</sup> *	
Maksimalni broj okretaja	12.800 min <sup>-1</sup> *	
Primer kuglica	Áno	
Vijak boánog stezaáa lanca	Áno	
Olakšano paljenje 	Áno	
Br. zubaca zupáanika	6	
Tełina bez vodilice i lanca	4.5 kg	
Kapacitet spremnika goriva  + 	320 (0.32) cm <sup>3</sup> (ℓ)	
Kapacitet spremnika ulja za lanac 	220 (0.22) cm <sup>3</sup> (ℓ)	
Brzina lanca na 133% maksimalne snage motora.	21,5 m/s	
* Prazan hod s vodilicom i lancem		

Kombinacije preporučenih vodilica i lanaca	GSH 40 - MTH 400 - MTH 402	
Korak i debljina lanca	3/8" x .050"	
Dužina vodilice	14" (35 cm)	16" (41 cm)
Tip vodilice	140SDEA041	160SDEA041
Tip lanca	91 P	
Dužina reza	310 mm	370 mm



### PAŽNJA!!!

Opasnost od povratnog udarca (kickback) je veća u slučaju pogrešne kombinacije vodilice-lanca! Koristite isključivo preporučene kombinacije vodilice-lanca i pridržavajte se uputa za oštrenje.



		<b>GSH 40 - MTH 400 - MTH 402</b>		
Akustični pritisak	<b>dB (A)</b>	<b>L<sub>pA</sub></b> EN 11681-1 EN 22868	<b>103,2</b>	*
Nesigurnost	<b>dB (A)</b>		<b>3,2</b>	
Izmjerena razina akustične snage	<b>dB (A)</b>	2000/14/EC EN 22868 EN ISO 3744	<b>111,5</b>	
Nesigurnost	<b>dB (A)</b>		<b>3,1</b>	
Akustične snage	<b>dB (A)</b>	<b>L<sub>WA</sub></b> 2000/14/EC EN 22868 EN ISO 3744	<b>115</b>	
Razina vibriranja	<b>m/s<sup>2</sup></b>	EN 11681-1 EN 22867 EN 12096	<b>6,9 (Sx)</b> <b>7,1 (Dx)</b>	*
Nesigurnost	<b>m/s<sup>2</sup></b>	EN 12096	<b>1,9 (Sx)</b> <b>1,9 (Dx)</b>	
* <b>Koeficijent srednjih vrijednosti (1/3 minimalnog, 1/3 punog opterećenja, 1/3 maksimalne brzine u praznom hodu).</b>				

## 11. IZJAVA SUGLASNOSTI

Dolje potpisani,

**EMAK spa via Fermi, 4 - 42011 Bagnolo in Piano (RE) ITALY**

objašnjava na osobnu odgovornost da stroj:

1. Vrsta: **motorna pila**

2. Marka: / Tip: **OLEO-MAC GSH 40 / EFCO MTH 400 - MTH 402**

3. Identifikacija serije **825 XXX 0001 - 825 XXX 9999**

sukladan odredbama Direktive/Pravilnika i naknadnim izmjenama ili dopunama **2006/42/EC - 2014/30/EU - 2000/14/EC - 2011/65/EU**

primjeren je odredbama sadržanim u slijedećim usklađenim propisima: **EN ISO 11681-1:2011 - EN 55012:2007 - EN 55012:2007/A1:2009 - EN ISO 14982:2009**

primjeren modelu za kojeg je ishodoeno uvjerenje CE br. **EPT 0477.MAC.19/3235 (GSH 40)  
EPT 0477.MAC.19/3236 (MTH 400)**

Prijavljeno tijelo za Direktivu 2000/14/EZ **Eurofins Product Testing Italy S.r.l. - v. Courgnè, 21 - 10156 Torino (TO) - Italy n° 0477**

Izvršeni su slijedeći postupci za određivanje primjerenosti **Annex V - 2000/14/EC**

Izmjerena razina akustične snage **111,5 dB(A)**

Garantirana razina akustične snage: **115 dB(A)**

Proizvedeno u **Bagnolo in piano (RE) Italy - via Fermi, 4**

Data **20/07/2019**

Tehnička dokumentacija je pohranjena u: **administrativnom sjedištu. - Tehnička uprava**

  
  
Fausto Bellamico - President

## 12. GARANTNI LIST

Ovaj je ispuhivač zamišljen i proizveden upotrebljavajući najmodernije tehničke postupke. Proizvođač daje garanciju za vlastite proizvode u trajanju od 24 mjeseca od datuma kupnje, za korištenje u privatne svrhe ili kao hobi. U slučaju profesionalne uporabe garancija vrijedi samo 12 mjeseci.

### Opći uvjeti garancije

- 1) Garancija stupa na snagu od datuma kupnje proizvoda.  
Proizvođač preko svoje prodajne mreže i tehničkih servisa besplatno zamjenjuje dijelove zbog neispravnosti materijala, radnih ili proizvodnih postupaka. Garancija ne uskrađuje kupcu zakonska prava predviđena građanskim zakonikom za posljedice prouzročene nepravilnošću ili nepropisnošću prodanih proizvoda.
- 2) Tehničko osoblje će vas posjetiti u što kraćem vremenskom roku, sukladno s već programiranim radnim obvezama.
- 3) **Kod zahtjeva za servisiranje pod garancijom, ovlaštenom osoblju trebete pokazati potpuno ispunjen donji garancijski list s pečatom prodajnog mjesta i s priloženim računom o kupnji ili porezno važećim kontrolnim listićem blagajne, koji potvrđuju datum kupnje.**
- 4) Garancija nije više važeća u slijedećim slučajevima:
  - očito pomanjkanje održavanja,

- nepropisno korištenje ili prepravljane proizvoda,
- upotreba neprikladnih motornih ulja ili goriva,
- neupotrebljavanje originalnih rezervnih dijelova ili dodatne opreme,
- popravci izvršeni od strane neovlaštenog osoblja.

- 5) Proizvođač ne pruža garanciju za potrošni materijal niti za dijelove izložene uobičajenom habanju tijekom rada.
- 6) Garancija ne obuhvaća radove na dotjerivanju ili preinačenju proizvoda
- 7) Garancija ne pokriva razna podešavanja ni radove na održavanju kojima se pristupa tijekom garantnog roka.
- 8) Eventualne štete prouzročene tijekom transporta moraju se odmah prijaviti prevozniku, u protivnom slučaju garancija neće biti važeća
- 9) Za motore drugih proizvođača (Briggs & Stratton, Subaru, Honda, Kipor, Lombardini, Kohler, itd.) koji se montiraju na našim uređajima, vrijedi garancija koju izdaju pojedini proizvođači motora.
- 10) Garancija ne pokriva izravnu ni neizravnu štetu nanešenu osobama ili stvarima, a do koje je došlo uslijed kvara na stroju ili je posljedica prisilnog i produženog nekorištenja stroja.

MODEL

SERIJSKI BROJ

KUPAC

DATUM

ZASTUPNIK

Nemojte slati! Priložite eventualnom zahtjevu tehničke garancije.

### 13. OTKLANJANJE KVAROVA



**PAŽNJA: uvijek zaustavite uređaj i otkaçite svjećicu prije vršenja svih preporuãanih pokušaja ispravaka iz donje tablice, osim ako se ne zahtijeva da uređaj bude u pogonu.**

Ukoliko ste provjerali sve moguće uzročnike, a problem je ostao neriješen, posavjetujte se s ovlaštenim centrom za tehničku pomoć. Ako se radi o problemu koji nije naveden u ovoj tablici, posavjetujte se s ovlaštenim centrom za tehničku pomoć.

PROBLEM	MOGUĆI UZROCI	RJEŠENJE
Motor se ne pokreće ili se gasi nekoliko sekundi nakon paljenja.	<ol style="list-style-type: none"> <li>1. Ne stvara se iskra</li> <li>2. Motor je preplavljen</li> </ol>	<ol style="list-style-type: none"> <li>1. Provjerite da li svjećica baca iskra. Ukoliko nema iskrenja, ponovite test s novom svjećicom (<b>L8RTF</b>).</li> <li>2. Slijedite postupak naveden na str. 96. Ako se motor i dalje ne pokreće, ponovite postupak s novom svjećicom.</li> </ol>
Motor se pokreće, ali ne ubrzava dobro ili pri velikoj brzini ne radi dobro.	Treba podesiti rasplinjač.	Radi podešavanja rasplinjača, stupite u vezu s ovlaštenim servisnim centrom.
Motor ne dostiže punu brzinu i / ili ispušta previše dima.	<ol style="list-style-type: none"> <li>1. Provjerite mješavinu ulja s benzinom.</li> <li>2. Zaprljan filter zraka.</li> <li>3. Treba podesiti rasplinjač.</li> </ol>	<ol style="list-style-type: none"> <li>1. Koristite svjež benzin i ulje pogodno za dvotaktne motore.</li> <li>2. Očistite; vidi upute u poglavlju Održavanje filtera zraka.</li> <li>3. Radi podešavanja rasplinjača, stupite u vezu s ovlaštenim servisnim centrom.</li> </ol>
Motor se pokreće, vrti se i ubrzava, ali ne održava minimum.	Treba podesiti rasplinjač.	Podesite vijak minimuma «T» (sl.30) u smjeru kazaljke na satu radi povećanja brzine; vidi poglavlje Održavanje rasplinjača.
Vodilica i lanac se zagrijavaju i dime za vrijeme rada	<ol style="list-style-type: none"> <li>1. Spremnik ulja za lanac je prazan</li> <li>2. Zategnutost lanca je prejaka</li> <li>3. Loš rad sustava za podmazivanje</li> </ol>	<ol style="list-style-type: none"> <li>1. Spremnik ulja morate napuniti svaki put kad puniti spremnik goriva.</li> <li>2. Zategnutost lanca; vidi upute u poglavlju Montiranje vodilice i lanca (str. 94).</li> <li>3. Ostavite raditi punim režimom 15-30 sekundi. Zaustavite i provjerite da li ulje kapa s vrha vodilice. Ako ima ulja, uzrok lošem radu može biti labavi lanac ili oštećena vodilica. Ako nema ulja, kontaktirajte ovlašteni servisni centar</li> </ol>
Motor se pokreće i radi, ali se lanac ne okreće	<ol style="list-style-type: none"> <li>1. Kočnica lanca je aktivirana</li> <li>2. Zategnutost lanca je prejaka</li> <li>3. Sklapanje vodilice i lanca</li> <li>4. Lanac i/ili vodilica su oštećeni</li> <li>5. Spojka i/ili zupčanik su oštećeni</li> </ol>	<ol style="list-style-type: none"> <li>1. Deaktivirajte kočnicu lanca; vidi poglavlje Uporaba - Kočnica lanca (str. 98)</li> <li>2. Zategnutost lanca; vidi upute u poglavlju Montiranje vodilice i lanca (str. 94)</li> <li>3. Vidi upute u poglavlju Montiranje vodilice i lanca (str. 94)</li> <li>4. Vidi upute u poglavlju Održavanje vodilice i/ili lanca (str. 99)</li> <li>5. Ako je potrebno - promijenite; kontaktirajte ovlašteni servisni centar</li> </ol>



**PAŽNJA: nikad ne dirajte lanac dok motor radi**









**GB** **WARNING!** - This owner's manual must stay with the machine for all its life.

**F** **ATTENTION!** - Le manuel doit accompagner la machine pour toute sa vie.

**E** **¡ATENCIÓN!** - Este manual debe acompañar a la máquina durante toda su vida útil.

**RUS** **ВНИМАНИЕ!** - Настоящая инструкция должна сопровождать изделие во время всего срока его службы.

**UA** **УВАГА!** - Ця інструкція повинна супроводжувати виріб під час всього строку його служби.

**BIH** **SRB** **HR** **MNE** **PAŽNJA!** - Ovaj priručnik treba čuvati zajedno sa strojem tijekom čitavog njegovog radnog vijeka.